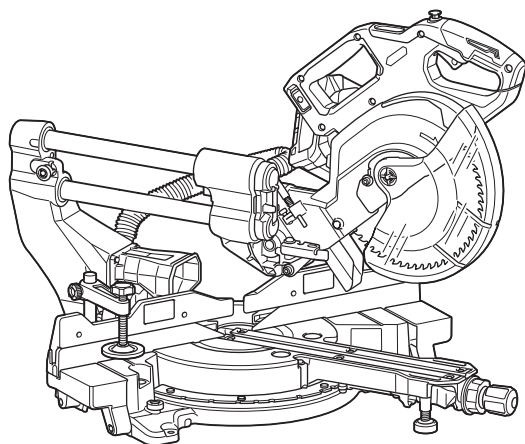


INSTRUCTION MANUAL  
MANUEL D'INSTRUCTION  
MANUAL DE INSTRUCCIONES



# Cordless Slide Compound Miter Saw Scie Radiale Sans Fil Sierra de Inglete Inalámbrica LS002G



**IMPORTANT:** Read Before Using.

**IMPORTANT :** Lire avant usage.

**IMPORTANTE:** Lea antes de usar.

## SPECIFICATIONS

|  |  |
|--|--|
| <b>Model:</b>                            | <b>LS002G</b>                                      |
| Blade diameter                           | 216 mm (8-1/2")                                    |
| Hole (arbor) diameter (country specific) | 15.88 mm (5/8")                                    |
| Max. kerf thickness of the saw blade     | 2.4 mm (3/32")                                     |
| Max. miter angle                         | Left 60°, Right 60°                                |
| Max. bevel angle                         | Left 48°, Right 48°                                |
| No load speed                            | 4,800 /min   |
| Dimensions (L x W x H)                   | 702 mm x 551 mm x 557 mm (27-5/8" x 21-3/4" x 22") |
| Rated voltage                            | D.C. 36 V - 40 V max                               |
| Net weight                               | 16.4 - 17.0 kg (36.2 - 37.5 lbs)                   |

- Due to our continuing program of research and development, the specifications herein are subject to change without notice.
- Specifications may differ from country to country.
- The weight may differ depending on the attachment(s), including the battery cartridge. The lightest and heaviest combination, according to EPTA-Procedure 01/2014, are shown in the table.

### Cutting capacities (H x W) with blade 216 mm (8-1/2") in diameter

| Miter angle          | Bevel angle                      |                                      |                                       |
|----------------------|----------------------------------|--------------------------------------|---------------------------------------|
|                      | 45° (left)                       | 0°                                   | 45° (right)                           |
| 0°                   | 50 mm x 312 mm<br>(2" x 12-1/4") | 70 mm x 312 mm<br>(2-3/4" x 12-1/4") | 30 mm x 312 mm<br>(1-3/16" x 12-1/4") |
| 45° (left and right) | 50 mm x 220 mm<br>(2" x 8-5/8")  | 70 mm x 220 mm<br>(2-3/4" x 8-5/8")  | 30 mm x 220 mm<br>(1-3/16" x 8-5/8")  |
| 60° (left and right) | –                                | 70 mm x 155 mm<br>(2-3/4" x 6-1/8")  | –                                     |

### Applicable battery cartridge and charger

|                   |  |
|-------------------|--|
| Battery cartridge | BL4020 / BL4025* / BL4040* / BL4050F*<br>* : Recommended battery |
| Charger           | DC40RA / DC40RB / DC40RC   |

- Some of the battery cartridges and chargers listed above may not be available depending on your region of residence.

**⚠ WARNING: Only use the battery cartridges and chargers listed above.** Use of any other battery cartridges and chargers may cause injury and/or fire.

## SAFETY WARNINGS

### General power tool safety warnings

**⚠ WARNING: Read all safety warnings, instructions, illustrations and specifications provided with this power tool.** Failure to follow all instructions listed below may result in electric shock, fire and/or serious injury.

### Save all warnings and instructions for future reference.

The term "power tool" in the warnings refers to your mains-operated (corded) power tool or battery-operated (cordless) power tool.

#### Work area safety

1. **Keep work area clean and well lit.** Cluttered or dark areas invite accidents.
2. **Do not operate power tools in explosive atmospheres, such as in the presence of flammable liquids, gases or dust.** Power tools create sparks which may ignite the dust or fumes.
3. **Keep children and bystanders away while operating a power tool.** Distractions can cause you to lose control.

#### Electrical Safety

1. **Power tool plugs must match the outlet. Never modify the plug in any way. Do not use any adapter plugs with earthed (grounded) power tools.** Unmodified plugs and matching outlets will reduce risk of electric shock.

2. **Avoid body contact with earthed or grounded surfaces, such as pipes, radiators, ranges and refrigerators.** There is an increased risk of electric shock if your body is earthed or grounded.
3. **Do not expose power tools to rain or wet conditions.** Water entering a power tool will increase the risk of electric shock.
4. **Do not abuse the cord. Never use the cord for carrying, pulling or unplugging the power tool. Keep cord away from heat, oil, sharp edges or moving parts.** Damaged or entangled cords increase the risk of electric shock.
5. **When operating a power tool outdoors, use an extension cord suitable for outdoor use.** Use of a cord suitable for outdoor use reduces the risk of electric shock.
6. **If operating a power tool in a damp location is unavoidable, use a ground fault circuit interrupter (GFCI) protected supply.** Use of a GFCI reduces the risk of electric shock.
7. **Power tools can produce electromagnetic fields (EMF) that are not harmful to the user.** However, users of pacemakers and other similar medical devices should contact the maker of their device and/or doctor for advice before operating this power tool.

#### Personal Safety

1. **Stay alert, watch what you are doing and use common sense when operating a power tool. Do not use a power tool while you are tired or under the influence of drugs, alcohol or medication.** A moment of inattention while operating power tools may result in serious personal injury.
2. **Use personal protective equipment. Always wear eye protection.** Protective equipment such as dust mask, non-skid safety shoes, hard hat, or hearing protection used for appropriate conditions will reduce personal injuries.
3. **Prevent unintentional starting. Ensure the switch is in the off-position before connecting to power source and/or battery pack, picking up or carrying the tool.** Carrying power tools with your finger on the switch or energising power tools that have the switch on invites accidents.
4. **Remove any adjusting key or wrench before turning the power tool on.** A wrench or a key left attached to a rotating part of the power tool may result in personal injury.
5. **Do not overreach. Keep proper footing and balance at all times.** This enables better control of the power tool in unexpected situations.
6. **Dress properly. Do not wear loose clothing or jewellery. Keep your hair, clothing and gloves away from moving parts.** Loose clothes, jewellery or long hair can be caught in moving parts.
7. **If devices are provided for the connection of dust extraction and collection facilities, ensure these are connected and properly used.** Use of dust collection can reduce dust-related hazards.
8. **Do not let familiarity gained from frequent use of tools allow you to become complacent and ignore tool safety principles.** A careless action can cause severe injury within a fraction of a second.

9. **Always wear protective goggles to protect your eyes from injury when using power tools. The goggles must comply with ANSI Z87.1 in the USA. It is an employer's responsibility to enforce the use of appropriate safety protective equipment by the tool operators and by other persons in the immediate working area.**

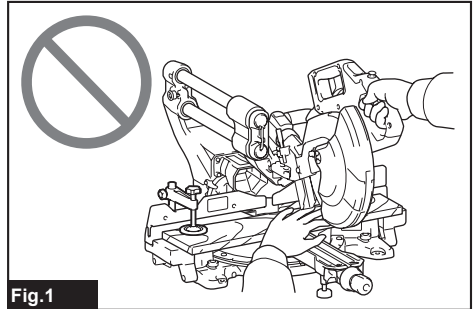
#### Power tool use and care

1. **Do not force the power tool. Use the correct power tool for your application.** The correct power tool will do the job better and safer at the rate for which it was designed.
2. **Do not use the power tool if the switch does not turn it on and off.** Any power tool that cannot be controlled with the switch is dangerous and must be repaired.
3. **Disconnect the plug from the power source and/or remove the battery pack, if detachable, from the power tool before making any adjustments, changing accessories, or storing power tools.** Such preventive safety measures reduce the risk of starting the power tool accidentally.
4. **Store idle power tools out of the reach of children and do not allow persons unfamiliar with the power tool or these instructions to operate the power tool.** Power tools are dangerous in the hands of untrained users.
5. **Maintain power tools and accessories. Check for misalignment or binding of moving parts, breakage of parts and any other condition that may affect the power tool's operation. If damaged, have the power tool repaired before use.** Many accidents are caused by poorly maintained power tools.
6. **Keep cutting tools sharp and clean.** Properly maintained cutting tools with sharp cutting edges are less likely to bind and are easier to control.
7. **Use the power tool, accessories and tool bits etc. in accordance with these instructions, taking into account the working conditions and the work to be performed.** Use of the power tool for operations different from those intended could result in a hazardous situation.
8. **Keep handles and grasping surfaces dry, clean and free from oil and grease.** Slippery handles and grasping surfaces do not allow for safe handling and control of the tool in unexpected situations.
9. **When using the tool, do not wear cloth work gloves which may be entangled.** The entanglement of cloth work gloves in the moving parts may result in personal injury.

#### Battery tool use and care

1. **Recharge only with the charger specified by the manufacturer.** A charger that is suitable for one type of battery pack may create a risk of fire when used with another battery pack.
2. **Use power tools only with specifically designated battery packs.** Use of any other battery packs may create a risk of injury and fire.
3. **When battery pack is not in use, keep it away from other metal objects, like paper clips, coins, keys, nails, screws or other small metal objects, that can make a connection from one terminal to another.** Shorting the battery terminals together may cause burns or a fire.

4. **Under abusive conditions, liquid may be ejected from the battery; avoid contact. If contact accidentally occurs, flush with water. If liquid contacts eyes, additionally seek medical help.** Liquid ejected from the battery may cause irritation or burns.
5. **Do not use a battery pack or tool that is damaged or modified.** Damaged or modified batteries may exhibit unpredictable behaviour resulting in fire, explosion or risk of injury.
6. **Do not expose a battery pack or tool to fire or excessive temperature.** Exposure to fire or temperature above 130 °C may cause explosion.
7. **Follow all charging instructions and do not charge the battery pack or tool outside the temperature range specified in the instructions.** Charging improperly or at temperatures outside the specified range may damage the battery and increase the risk of fire.
5. **Never cross your hand over the intended line of cutting either in front or behind the saw blade.** Supporting the workpiece "cross handed" i.e. holding the workpiece to the right of the saw blade with your left hand or vice versa is very dangerous.



**Fig.1**

### Service

1. **Have your power tool serviced by a qualified repair person using only identical replacement parts.** This will ensure that the safety of the power tool is maintained.
2. **Never service damaged battery packs.** Service of battery packs should only be performed by the manufacturer or authorized service providers.
3. **Follow instruction for lubricating and changing accessories.**
4. **Do not modify or attempt to repair the appliance or the battery pack except as indicated in the instructions for use and care.**
6. **Do not reach behind the fence with either hand closer than 100 mm from either side of the saw blade, to remove wood scraps, or for any other reason while the blade is spinning.** The proximity of the spinning saw blade to your hand may not be obvious and you may be seriously injured.
7. **Inspect your workpiece before cutting. If the workpiece is bowed or warped, clamp it with the outside bowed face toward the fence. Always make certain that there is no gap between the workpiece, fence and table along the line of the cut.** Bent or warped workpieces can twist or shift and may cause binding on the spinning saw blade while cutting. There should be no nails or foreign objects in the workpiece.

### Safety instructions for mitre saws

1. **Mitre saws are intended to cut wood or wood-like products, they cannot be used with abrasive cut-off wheels for cutting ferrous material such as bars, rods, studs, etc.** Abrasive dust causes moving parts such as the lower guard to jam. Sparks from abrasive cutting will burn the lower guard, the kerf insert and other plastic parts.
2. **Use clamps to support the workpiece whenever possible. If supporting the workpiece by hand, you must always keep your hand at least 100 mm from either side of the saw blade. Do not use this saw to cut pieces that are too small to be securely clamped or held by hand.** If your hand is placed too close to the saw blade, there is an increased risk of injury from blade contact.
3. **The workpiece must be stationary and clamped or held against both the fence and the table. Do not feed the workpiece into the blade or cut "freehand" in any way.** Unrestrained or moving workpieces could be thrown at high speeds, causing injury.
4. **Push the saw through the workpiece. Do not pull the saw through the workpiece. To make a cut, raise the saw head and pull it out over the workpiece without cutting, start the motor, press the saw head down and push the saw through the workpiece.** Cutting on the pull stroke is likely to cause the saw blade to climb on top of the workpiece and violently throw the blade assembly towards the operator.
8. **Do not use the saw until the table is clear of all tools, wood scraps, etc., except for the workpiece.** Small debris or loose pieces of wood or other objects that contact the revolving blade can be thrown with high speed.
9. **Cut only one workpiece at a time.** Stacked multiple workpieces cannot be adequately clamped or braced and may bind on the blade or shift during cutting.
10. **Ensure the mitre saw is mounted or placed on a level, firm work surface before use.** A level and firm work surface reduces the risk of the mitre saw becoming unstable.
11. **Plan your work. Every time you change the bevel or mitre angle setting, make sure the adjustable fence is set correctly to support the workpiece and will not interfere with the blade or the guarding system.** Without turning the tool "ON" and with no workpiece on the table, move the saw blade through a complete simulated cut to assure there will be no interference or danger of cutting the fence.
12. **Provide adequate support such as table extensions, saw horses, etc. for a workpiece that is wider or longer than the table top.** Workpieces longer or wider than the mitre saw table can tip if not securely supported. If the cut-off piece or workpiece tips, it can lift the lower guard or be thrown by the spinning blade.



13. **Do not use another person as a substitute for a table extension or as additional support.**  
Unstable support for the workpiece can cause the blade to bind or the workpiece to shift during the cutting operation pulling you and the helper into the spinning blade.
  14. **The cut-off piece must not be jammed or pressed by any means against the spinning saw blade.** If confined, i.e. using length stops, the cut-off piece could get wedged against the blade and thrown violently.
  15. **Always use a clamp or a fixture designed to properly support round material such as rods or tubing.** Rods have a tendency to roll while being cut, causing the blade to "bite" and pull the work with your hand into the blade.
  16. **Let the blade reach full speed before contacting the workpiece.** This will reduce the risk of the workpiece being thrown.
  17. **If the workpiece or blade becomes jammed, turn the mitre saw off. Wait for all moving parts to stop and disconnect the plug from the power source and/or remove the battery pack. Then work to free the jammed material.** Continued sawing with a jammed workpiece could cause loss of control or damage to the mitre saw.
  18. **After finishing the cut, release the switch, hold the saw head down and wait for the blade to stop before removing the cut-off piece.** Reaching with your hand near the coasting blade is dangerous.
  19. **Hold the handle firmly when making an incomplete cut or when releasing the switch before the saw head is completely in the down position.** The braking action of the saw may cause the saw head to be suddenly pulled downward, causing a risk of injury.
  20. **Only use the saw blade with the diameter that is marked on the tool or specified in the manual.** Use of an incorrectly sized blade may affect the proper guarding of the blade or guard operation which could result in serious personal injury.
  21. **Only use the saw blades that are marked with a speed equal or higher than the speed marked on the tool.**
  22. **Always select the correct saw blade for the material to be cut. Do not use the saw blade to cut materials other than those specified.**
  23. **The saw can cut wood, aluminum or similar materials, when using a saw blade appropriate for the material. Do not use the saw to cut the other material, including magnesium, steel and iron.**
- Additional instructions**
1. **Intended use**  
The tool is intended for accurate straight and miter cutting in wood. With appropriate saw blades, aluminum can also be sawed.
  2. **Make workshop kid proof with padlocks.**
  3. **Never stand on the tool.** Serious injury could occur if the tool is tipped or if the cutting tool is unintentionally contacted.
  4. **Never leave the tool running unattended. Turn the power off. Do not leave tool until it comes to a complete stop.**
  5. **Do not operate saw without guards in place. Check blade guard for proper closing before each use. Do not operate saw if blade guard does not move freely and close instantly. Never clamp or tie the blade guard into the open position.**
  6. **Keep hands out of path of saw blade. Avoid contact with any coasting blade. It can still cause severe injury.**
  7. **To reduce the risk of injury, return carriage to the full rear position after each crosscut operation.**
  8. **Always secure all moving portions before carrying the tool.**
  9. **Stopper pin which locks the cutter head down is for carrying and storage purposes only and not for any cutting operations.**
  10. **Check the blade carefully for cracks or damage before operation. Replace cracked or damaged blade immediately. Gum and wood pitch hardened on blades slows saw and increases potential for kickback. Keep blade clean by first removing it from tool, then cleaning it with gum and pitch remover, hot water or kerosene. Never use gasoline to clean blade.**
  11. **While making a slide cut, KICKBACK can occur. KICKBACK occurs when the blade binds in the workpiece during a cutting operation and the saw blade is driven rapidly towards the operator. Loss of control and serious personal injury can result. If blade begins to bind during a cutting operation, do not continue to cut and release switch immediately.**
  12. **Use only flanges specified for this tool.**
  13. **Be careful not to damage the arbor, flanges (especially the installing surface) or bolt. Damage to these parts could result in blade breakage.**
  14. **Make sure that the turn base is properly secured so it will not move during operation. Use the holes in the base to fasten the saw to a stable work platform or bench. NEVER use tool where operator positioning would be awkward.**
  15. **Make sure the shaft lock is released before the switch is turned on.**
  16. **Be sure that the blade does not contact the turn base in the lowest position.**
  17. **Hold the handle firmly. Be aware that the saw moves up or down slightly during start-up and stopping.**
  18. **Make sure the blade is not contacting the workpiece before the switch is turned on.**
  19. **Before using the tool on an actual workpiece, let it run for a while. Watch for vibration or wobbling that could indicate poor installation or a poorly balanced blade.**
  20. **Stop operation immediately if you notice anything abnormal.**
  21. **Do not attempt to lock the trigger in the "ON" position.**
  22. **Always use accessories recommended in this manual. Use of improper accessories such as abrasive wheels may cause an injury.**
  23. **Some material contains chemicals which may be toxic. Take caution to prevent dust inhalation and skin contact. Follow material supplier safety data.**

24. Do not use a corded power supply with this tool.

**Additional safety rules for operating lamp**



1. Do not look in the light or see the source of light directly.

**SAVE THESE INSTRUCTIONS.**

**⚠WARNING:** DO NOT let comfort or familiarity with product (gained from repeated use) replace strict adherence to safety rules for the subject product. MISUSE or failure to follow the safety rules stated in this instruction manual may cause serious personal injury.

**Symbols**

The followings show the symbols used for tool.

|  |  |
|--|--|
| V  | volts  |
| — — —  | direct current                                   |
| n <sub>0</sub>   | no load speed                                    |
| ... /min<br>r /min   | revolutions or reciprocation per minute          |
| ∅  | diameter   |
|  | Do not place hand or fingers close to the blade. |
|  | Do not stare at operating lamp.                  |

**Important safety instructions for battery cartridge**

1. Before using battery cartridge, read all instructions and cautionary markings on (1) battery charger, (2) battery, and (3) product using battery.
2. Do not disassemble or tamper the battery cartridge. It may result in a fire, excessive heat, or explosion.
3. If operating time has become excessively shorter, stop operating immediately. It may result in a risk of overheating, possible burns and even an explosion.
4. If electrolyte gets into your eyes, rinse them out with clear water and seek medical attention right away. It may result in loss of your eyesight.
5. Do not short the battery cartridge:
  - (1) Do not touch the terminals with any conductive material.
  - (2) Avoid storing battery cartridge in a container with other metal objects such as nails, coins, etc.
  - (3) Do not expose battery cartridge to water or rain.

A battery short can cause a large current flow, overheating, possible burns and even a breakdown.

6. Do not store and use the tool and battery cartridge in locations where the temperature may reach or exceed 50 °C (122 °F).
7. Do not incinerate the battery cartridge even if it is severely damaged or is completely worn out. The battery cartridge can explode in a fire.
8. Do not nail, cut, crush, throw, drop the battery cartridge, or hit against a hard object to the battery cartridge. Such conduct may result in a fire, excessive heat, or explosion.
9. Do not use a damaged battery.
10. The contained lithium-ion batteries are subject to the Dangerous Goods Legislation requirements.
 

For commercial transports e.g. by third parties, forwarding agents, special requirement on packaging and labeling must be observed. For preparation of the item being shipped, consulting an expert for hazardous material is required. Please also observe possibly more detailed national regulations.

Tape or mask off open contacts and pack up the battery in such a manner that it cannot move around in the packaging.
11. When disposing the battery cartridge, remove it from the tool and dispose of it in a safe place. Follow your local regulations relating to disposal of battery.
12. Use the batteries only with the products specified by Makita. Installing the batteries to non-compliant products may result in a fire, excessive heat, explosion, or leak of electrolyte.
13. If the tool is not used for a long period of time, the battery must be removed from the tool.
14. During and after use, the battery cartridge may take on heat which can cause burns or low temperature burns. Pay attention to the handling of hot battery cartridges.
15. Do not touch the terminal of the tool immediately after use as it may get hot enough to cause burns.
16. Do not allow chips, dust, or soil stuck into the terminals, holes, and grooves of the battery cartridge. It may cause heating, catching fire, burst and malfunction of the tool or battery cartridge, resulting in burns or personal injury.
17. Unless the tool supports the use near high-voltage electrical power lines, do not use the battery cartridge near a high-voltage electrical power lines. It may result in a malfunction or breakdown of the tool or battery cartridge.
18. Keep the battery away from children.

**SAVE THESE INSTRUCTIONS.**

**⚠CAUTION:** Only use genuine Makita batteries. Use of non-genuine Makita batteries, or batteries that have been altered, may result in the battery bursting causing fires, personal injury and damage. It will also void the Makita warranty for the Makita tool and charger.

## Tips for maintaining maximum battery life

1. Charge the battery cartridge before completely discharged. Always stop tool operation and charge the battery cartridge when you notice less tool power.
2. Never recharge a fully charged battery cartridge. Overcharging shortens the battery service life.
3. Charge the battery cartridge with room temperature at 10 °C - 40 °C (50 °F - 104 °F). Let a hot battery cartridge cool down before charging it.
4. When not using the battery cartridge, remove it from the tool or the charger.
5. Charge the battery cartridge if you do not use it for a long period (more than six months).

### Important safety instructions for wireless unit

1. Do not disassemble or tamper with the wireless unit.
2. Keep the wireless unit away from young children. If accidentally swallowed, seek medical attention immediately.
3. Use the wireless unit only with Makita tools.
4. Do not expose the wireless unit to rain or wet conditions.
5. Do not use the wireless unit in places where the temperature exceeds 50 °C (122 °F).
6. Do not operate the wireless unit in places where medical instruments, such as heart pace makers are nearby.
7. Do not operate the wireless unit in places where automated devices are nearby. If operated, automated devices may develop malfunction or error.
8. Do not operate the wireless unit in places under high temperature or places where static electricity or electrical noise could be generated.
9. The wireless unit can produce electromagnetic fields (EMF) but they are not harmful to the user.
10. The wireless unit is an accurate instrument. Be careful not to drop or strike the wireless unit.
11. Avoid touching the terminal of the wireless unit with bare hands or metallic materials.
12. Always remove the battery on the product when installing the wireless unit into it.
13. When opening the lid of the slot, avoid the place where dust and water may come into the slot. Always keep the inlet of the slot clean.
14. Always insert the wireless unit in the correct direction.
15. Do not press the wireless activation button on the wireless unit too hard and/or press the button with an object with a sharp edge.
16. Always close the lid of the slot when operating.
17. Do not remove the wireless unit from the slot while the power is being supplied to the tool. Doing so may cause a malfunction of the wireless unit.
18. Do not remove the sticker on the wireless unit.
19. Do not put any sticker on the wireless unit.
20. Do not leave the wireless unit in a place where static electricity or electrical noise could be generated.
21. Do not leave the wireless unit in a place subject to high heat, such as a car sitting in the sun.
22. Do not leave the wireless unit in a dusty or powdery place or in a place corrosive gas could be generated.
23. Sudden change of the temperature may bedew the wireless unit. Do not use the wireless unit until the dew is completely dried.
24. When cleaning the wireless unit, gently wipe with a dry soft cloth. Do not use benzine, thinner, conductive grease or the like.
25. When storing the wireless unit, keep it in the supplied case or a static-free container.
26. Do not insert any devices other than Makita wireless unit into the slot on the tool.
27. Do not use the tool with the lid of the slot damaged. Water, dust, and dirt come into the slot may cause malfunction.
28. Do not pull and/or twist the lid of the slot more than necessary. Restore the lid if it comes off from the tool.
29. Replace the lid of the slot if it is lost or damaged.

**SAVE THESE INSTRUCTIONS.**

# PARTS DESCRIPTION

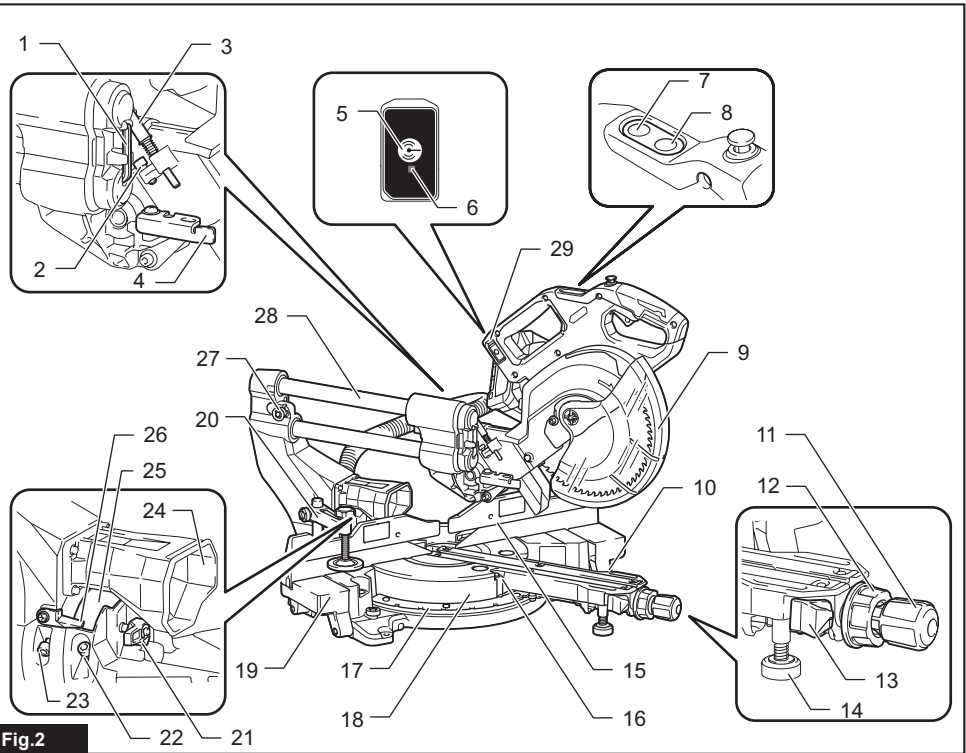


Fig.2

|    |  |    |   |    |  |    |                             |
|----|--|----|---|----|--|----|-----------------------------|
| 1  | Hex wrench                                   | 2  | Adjusting bolt (for maximum cutting capacity) | 3  | Adjusting screw (for lower limit position) | 4  | Stopper arm                 |
| 5  | Wireless activation button                   | 6  | Wireless activation lamp                      | 7  | Vacuum button                              | 8  | Lamp button                 |
| 9  | Blade guard                                  | 10 | Kerf board                                    | 11 | Grip (for turn base)                       | 12 | Grip dial (for bevel angle) |
| 13 | Releasing lever (for turn base)              | 14 | Adjusting bolt (for turn base)                | 15 | Guide fences                               | 16 | Pointer (for miter angle)   |
| 17 | Miter angle scale                            | 18 | Turn base                                     | 19 | Sub base                                   | 20 | Vertical vise               |
| 21 | Releasing lever (for right side bevel angle) | 22 | 45° adjusting bolt (for right bevel angle)    | 23 | 0° adjusting bolt (for bevel angle)        | 24 | Dust guide                  |
| 25 | Right bevel angle scale                      | 26 | Pointer (for right bevel angle)               | 27 | Stopper pin (for carriage sliding)         | 28 | Slide pole                  |
| 29 | Lid (for wireless unit)                      | -  | -   | -  | -  | -  | -                           |

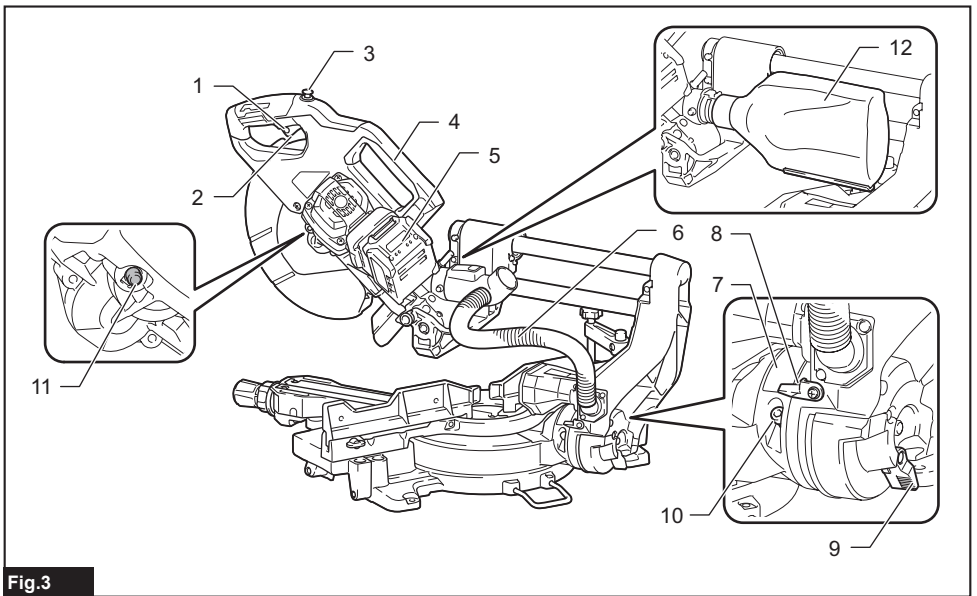


Fig.3

|   |                                       |    |   |    |                        |    |  |
|---|---------------------------------------|----|---|----|------------------------|----|--|
| 1 | Hole for padlock                      | 2  | Switch trigger                            | 3  | Lock-off button        | 4  | Carry handle                                       |
| 5 | Battery cartridge                     | 6  | Dust extraction hose                      | 7  | Left bevel angle scale | 8  | Pointer (for left bevel angle)                     |
| 9 | Releasing lever (for 48° bevel angle) | 10 | 45° adjusting bolt (for left bevel angle) | 11 | Shaft lock             | 12 | Dust bag (when replaced with dust extraction hose) |

## INSTALLATION

### Bench mounting

**⚠ WARNING:** Ensure that the tool does not move on the supporting surface. Movement of the miter saw on the supporting surface while cutting may result in loss of control and serious personal injury.

1. Fix the base to a level and stable surface, screwing with the bolts. This helps to prevent from tipping and possible injury.

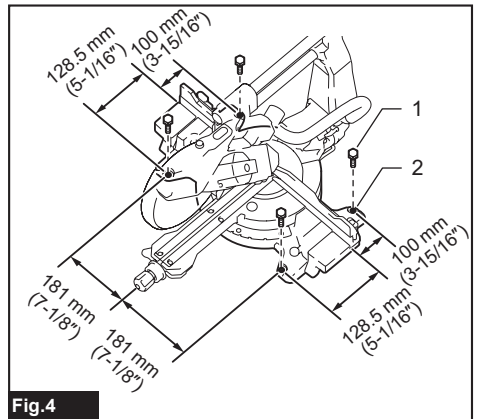


Fig.4

► 1. Bolt 2. Mounting hole

- Turn the adjusting bolt clockwise or counterclockwise so that it comes into a contact with the floor surface to keep the tool stable.

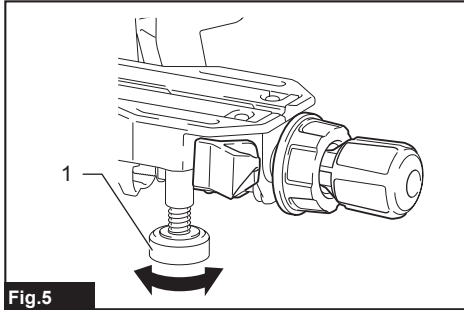


Fig.5

- Adjusting bolt

## Installing the dust extraction hose

Connect the dust extraction hose to the tool as illustrated. Make sure that the elbow and the sleeve fit properly to the ports of the tool.

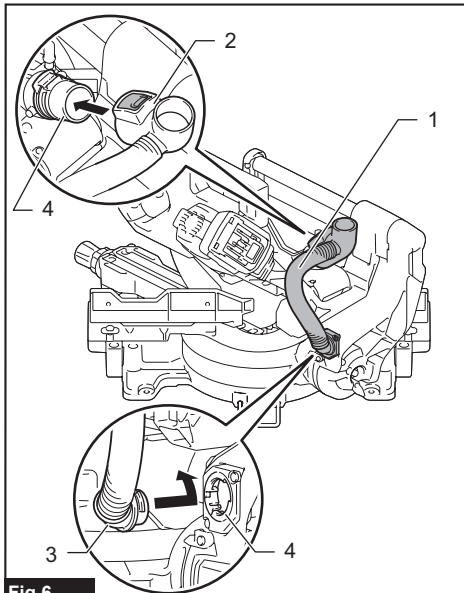


Fig.6

- Dust extraction hose 2. Elbow 3. Sleeve 4. Port

To remove the elbow from the port, pull the elbow while pressing down the lock button.

To remove the sleeve from the port, turn it clockwise and then pull it apart.

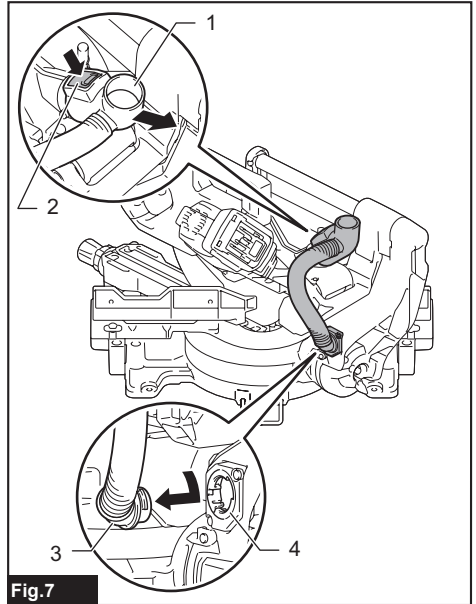


Fig.7

- Elbow 2. Lock button 3. Sleeve 4. Port

## FUNCTIONAL DESCRIPTION

**⚠ WARNING:** Always be sure that the tool is switched off and the battery cartridge is removed before adjusting or checking the functions on the tool. Failure to switch off and remove the battery cartridge may result in serious personal injury from accidental start-up.

## Installing or removing battery cartridge

**⚠ CAUTION:** Always switch off the tool before installing or removing of the battery cartridge.

**⚠ CAUTION:** Hold the tool and the battery cartridge firmly when installing or removing battery cartridge. Failure to hold the tool and the battery cartridge firmly may cause them to slip off your hands and result in damage to the tool and battery cartridge and a personal injury.

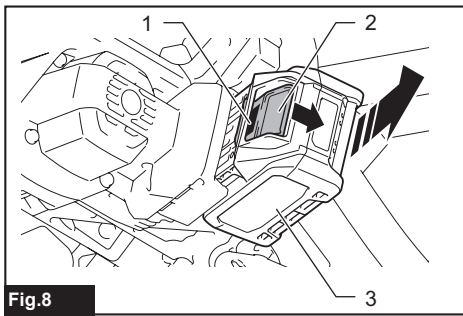


Fig.8

► 1. Red indicator 2. Button 3. Battery cartridge

To remove the battery cartridge, slide it from the tool while sliding the button on the front of the cartridge.

To install the battery cartridge, align the tongue on the battery cartridge with the groove in the housing and slip it into place. Insert it all the way until it locks in place with a little click. If you can see the red indicator as shown in the figure, it is not locked completely.

**CAUTION:** Always install the battery cartridge fully until the red indicator cannot be seen. If not, it may accidentally fall out of the tool, causing injury to you or someone around you.

**CAUTION:** Do not install the battery cartridge forcibly. If the cartridge does not slide in easily, it is not being inserted correctly.

## Tool / battery protection system

The tool is equipped with a tool/battery protection system. This system automatically cuts off power to the motor to extend tool and battery life. The tool will automatically stop during operation if the tool or battery is placed under one of the following conditions:

### Overload protection

When the tool/battery is operated in a manner that causes it to draw an abnormally high current, the tool automatically stops. In this situation, turn the tool off and stop the application that caused the tool to become overloaded. Then turn the tool on to restart.

### Overheat protection

When the tool/battery is overheated, the tool stops automatically. In this situation, let the tool/battery cool before turning the tool on again.

### Overdischarge protection

When the battery capacity becomes low, the tool stops automatically. If the product does not operate even when the switches are operated, remove the batteries from the tool and charge the batteries.

## Indicating the remaining battery capacity

Press the check button on the battery cartridge to indicate the remaining battery capacity. The indicator lamps light up for a few seconds.

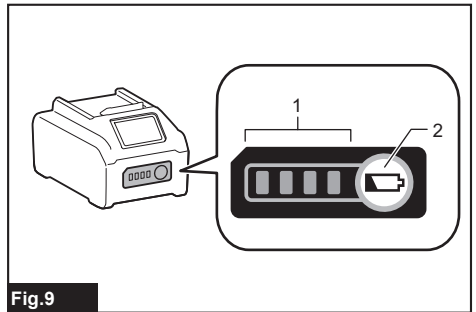


Fig.9

► 1. Indicator lamps 2. Check button

| Indicator lamps |     |          | Remaining capacity                  |
|-----------------|-----|----------|-------------------------------------|
| Lighted         | Off | Blinking |                                     |
|                 |     |          | 75% to 100%                         |
|                 |     |          | 50% to 75%                          |
|                 |     |          | 25% to 50%                          |
|                 |     |          | 0% to 25%                           |
|                 |     |          | Charge the battery.                 |
|                 |     |          | The battery may have malfunctioned. |

**NOTE:** Depending on the conditions of use and the ambient temperature, the indication may differ slightly from the actual capacity.

**NOTE:** The first (far left) indicator lamp will blink when the battery protection system works.



## Handle lock

**CAUTION:** Always hold the handle when releasing the stopper pin. Otherwise the handle springs up and it may result in personal injury.

When the tool is shipped, the handle is locked in the lowered position with the stopper pin. To unlock the handle, pull the stopper pin and rotate it 90° while lowering the handle slightly.

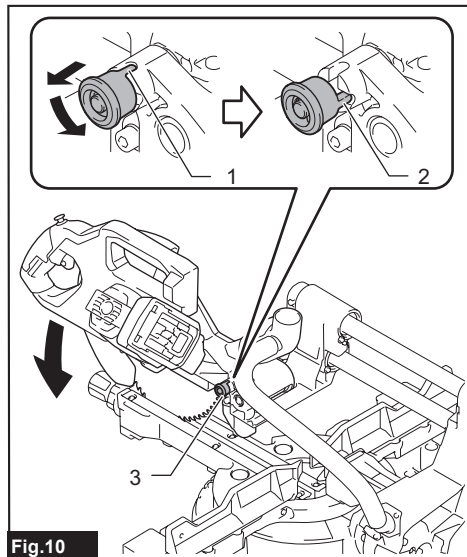


Fig.10

► 1. Locked position 2. Unlocked position 3. Stopper pin

## Slide lock

Pull the stopper pin and turn it 90° in an unlocked position to allow free movement of the carriage. To lock the sliding movement of the carriage, push the carriage toward the arm until it stops, and then return the stopper pin in a locked position.

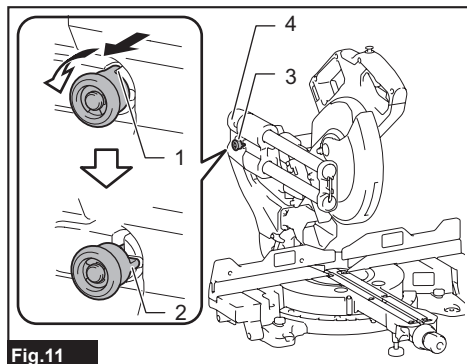


Fig.11

► 1. Locked position 2. Unlocked position 3. Stopper pin 4. Arm

## Blade guard

**WARNING:** Never defeat or remove the blade guard or the spring which attaches to the guard. An exposed blade as a result of defeated guarding may result in serious personal injury during operation.

**WARNING:** Never use the tool if the blade guard or spring are damaged, faulty or removed. Operation of the tool with a damaged, faulty or removed guard may result in serious personal injury.

**CAUTION:** Always maintain the blade guard in good condition for safe operation. Stop the operation immediately if there are any irregularity of the blade guard. Check to assure spring loaded return action of guard.

When lowering the handle, the blade guard raises automatically. The guard is spring loaded so it returns to its original position when the cut is completed and the handle is raised.

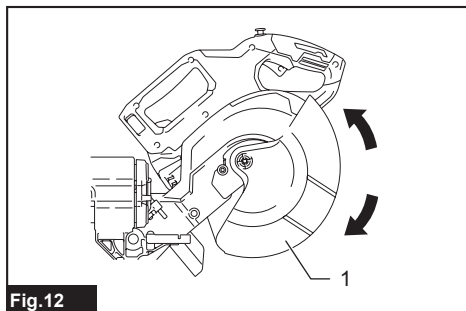


Fig.12

► 1. Blade guard

## Cleaning

If the transparent blade guard becomes dirty, or sawdust adheres to it in such a way that the blade and/or workpiece is no longer easily visible, remove the battery cartridge and clean the guard carefully with a damp cloth. Do not use solvents or any petroleum-based cleaners on the plastic guard because this may cause damage to the guard.

Follow the step-by-step instructions listed on how to prepare for cleaning.

1. Make sure that the tool is switched off and the battery cartridge is removed.
2. Turn the hex socket bolt counterclockwise using the supplied hex wrench with holding the center cover.
3. Raise the blade guard and center cover.
4. When cleaning is complete, return the center cover and tighten the hex socket bolt by performing the steps above in reverse.
5. Make sure to return the circular saw blade and center cover to their original positions and tighten the hex socket bolt.

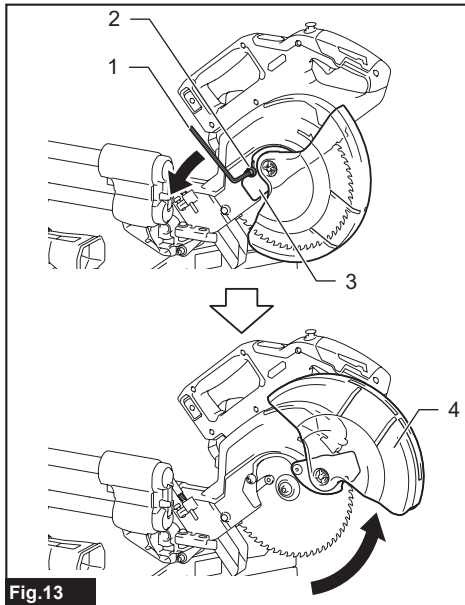


Fig.13

1. Hex wrench
2. Hex socket bolt
3. Center cover
4. Blade guard

**⚠ WARNING: Do not remove spring holding blade guard.** If guard becomes damaged in course of time or UV light exposure, contact a Makita service center for replacement. **DO NOT DEFEAT OR REMOVE GUARD.**

## Positioning kerf board

This tool is provided with the kerf boards in the turn base to minimize tearing on the exit side of a cut. The kerf boards are factory adjusted so that the circular saw blade does not contact the kerf boards. Before use, adjust the kerf boards as follows:

1. Make sure to remove the battery cartridge. Then, loosen all the screws (three each on left and right) securing the kerf boards.

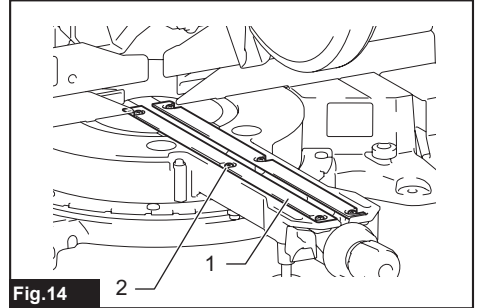


Fig.14

1. Kerf board
2. Screw

2. Re-tighten them only to the extent that the kerf boards can still be easily moved by hand.
3. Lower the handle fully, then pull and turn the stopper pin to lock the handle in the lowered position.
4. Pull and turn the stopper pin on the slide pole to allow the carriage sliding.

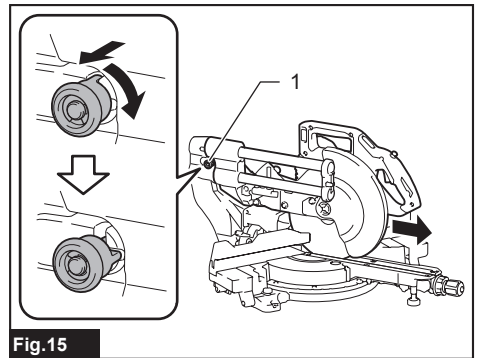


Fig.15

1. Stopper pin
5. Pull the carriage toward you fully.

- Adjust the kerf boards so that they just contact the sides of the blade teeth.

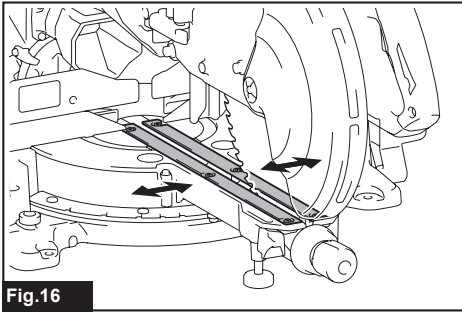


Fig.16

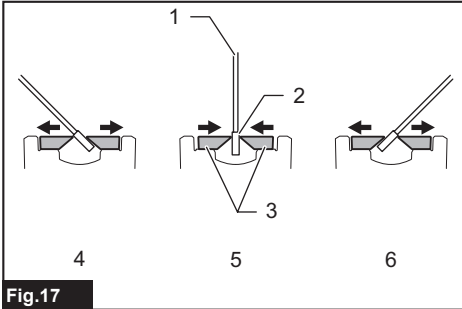


Fig.17

- Saw blade
- Adjusting bolt
- Kerf board
- Left bevel cut
- Straight cut
- Right bevel cut

- Tighten the front screws (do not tighten firmly).
- Slide the carriage down to the middle of between the front end of the kerf boards and guide fences. Adjust the kerf boards so that they just contact the sides of the blade teeth.
- Tighten the center screws (do not tighten firmly).
- Push the carriage toward the guide fences fully and then adjust the kerf boards so that they just contact the sides of the blade teeth.
- Tighten the rear screws (do not tighten firmly).
- After adjusting the kerf boards, release the stopper pin for handle lock and raise the handle. Then tighten all the screws securely.

**NOTICE:** After setting the bevel angle, ensure that the kerf boards are adjusted properly. Correct adjustment of the kerf boards helps to provide proper support of the workpiece and minimizing workpiece tear out.

## Maintaining maximum cutting capacity

This tool is factory adjusted to provide the maximum cutting capacity for a 216 mm (8-1/2") saw blade. When installing a new circular saw blade, always check the lower limit position of the circular saw blade, and if necessary, adjust it as follows:

- Remove the battery cartridge. Then, push the carriage toward the guide fence fully and lower the handle completely.

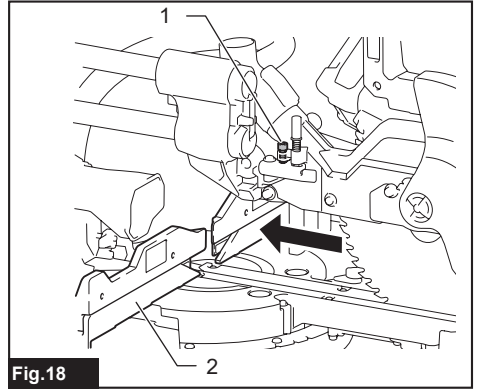


Fig.18

- Adjusting bolt
- Guide fence

- Use the hex wrench to turn the adjusting bolt until the circular saw blade comes slightly below the cross section of the guide fence and the top surface of the turn base.

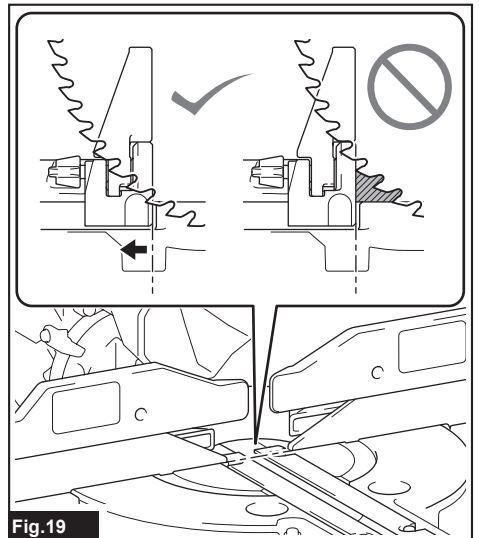


Fig.19

3. Rotate the blade by hand while holding the handle all the way down to be sure that the circular saw blade does not contact any part of the lower base. Re-adjust slightly, if necessary.

**WARNING:** After installing a new circular saw blade and with the battery cartridge removed, always be sure that the circular saw blade does not contact any part of the lower base when the handle is lowered completely. If a circular saw blade makes contact with the base, it may cause kickback and result in serious personal injury.

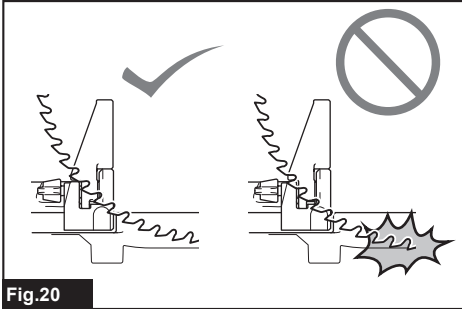


Fig.20

### Stopper arm

The lower limit position of the circular saw blade can be easily adjusted with the stopper arm. To adjust it, move the stopper arm in the direction of the arrow as shown in the figure. Turn the adjusting screw so that the blade stops at the desired position when lowering the handle fully.

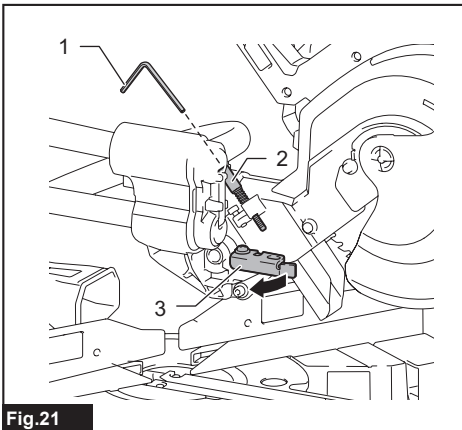


Fig.21

► 1. Hex wrench 2. Adjusting screw 3. Stopper arm

**CAUTION:** Always hold the handle firmly when adjusting. Failure to do so may cause the carriage to jump up and result in injury.

### Adjusting the miter angle

**CAUTION:** After changing the miter angle, always secure the turn base by returning the releasing lever in a locked position and tightening the grip firmly.

**NOTICE:** When turning the turn base, be sure to raise the handle fully.

1. Rotate the grip counterclockwise and press down the releasing lever into an unlocked position.
2. Hold and swing the grip from side to side to turn the base.
3. Align the pointer with your desired angle on the miter angle scale.
4. Push up the releasing lever into a locked position and tighten the grip.

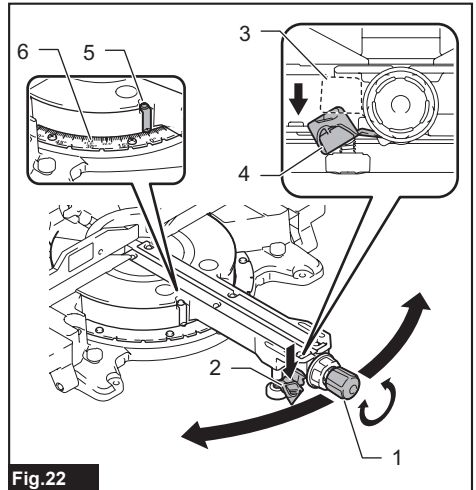


Fig.22

- 1. Grip 2. Releasing lever 3. Locked position  
4. Unlocked position 5. Pointer 6. Miter angle scale

## Positive stop function

This miter saw employs positive stop function. You can set 0°, 15°, 22.5°, 31.6°, 45°, and 60° right/left miter angle quickly.

1. Turn the base close to your desired positive stop angle while pressing down the releasing lever in the unlocked position.
2. Deliberately push the releasing lever up halfway between the unlocked position and locked position.
3. Turn the base at your desired positive stop angle until it is secured.
4. Push the releasing lever up in the locked position and tighten the grip.

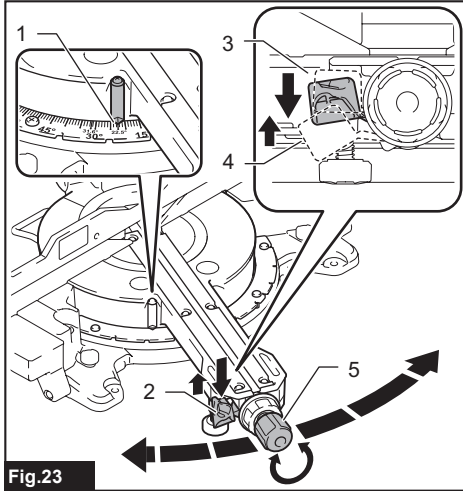


Fig.23

- 1. Positive stop angle 2. Releasing lever 3. Locked position 4. Unlocked position 5. Grip

## Adjusting the bevel angle

**CAUTION:** After changing the bevel angle, always secure the arm by tightening the grip dial clockwise.

**NOTICE:** Always remove the upper guide fences and vertical vise before adjusting the bevel angle.

**NOTICE:** When tilting the circular saw blade, be sure that the carriage is fully raised.

**NOTICE:** When changing bevel angles, be sure to reposition the kerf boards appropriately as explained in the section for positioning kerf boards.

**NOTICE:** Do not tighten the grip dial too hard. Doing so may cause malfunction of the locking mechanism of the bevel angle.

## Tilting the circular saw blade to the left

1. Rotate the grip dial counterclockwise.
2. Hold the handle and tilt the carriage to the left.
3. Align the pointer with your desired angle on the bevel angle scale.
4. Tighten the grip dial clockwise to secure the arm.

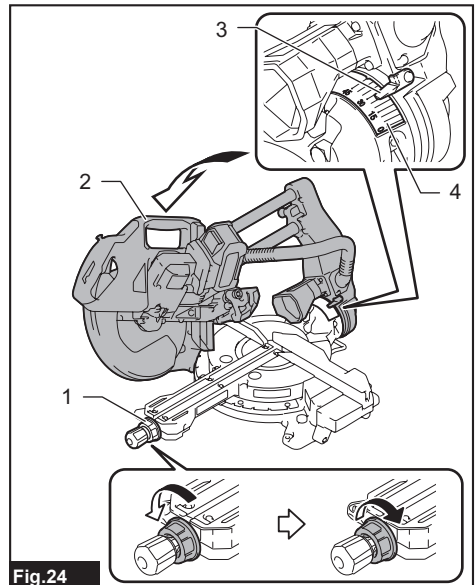
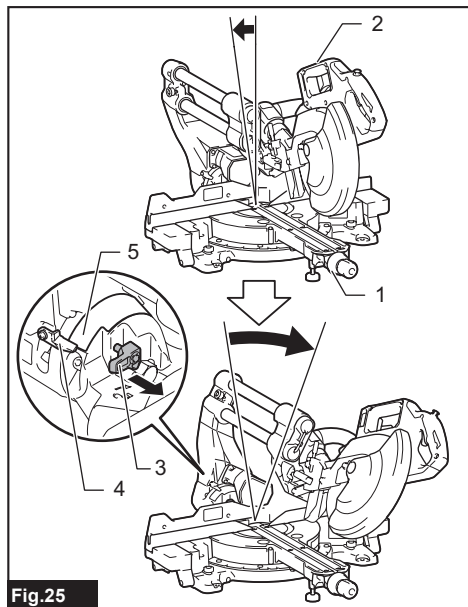


Fig.24

- 1. Grip dial 2. Handle 3. Pointer 4. Bevel angle scale

## Tilting the circular saw blade to the right

1. Rotate the grip dial counterclockwise.
2. Hold the handle and tilt the carriage to the left slightly.
3. Tilt the carriage to the right while pulling the releasing lever for right side bevel angle.
4. Align the pointer with your desired angle on the bevel angle scale.
5. Tighten the grip dial clockwise to secure the arm.

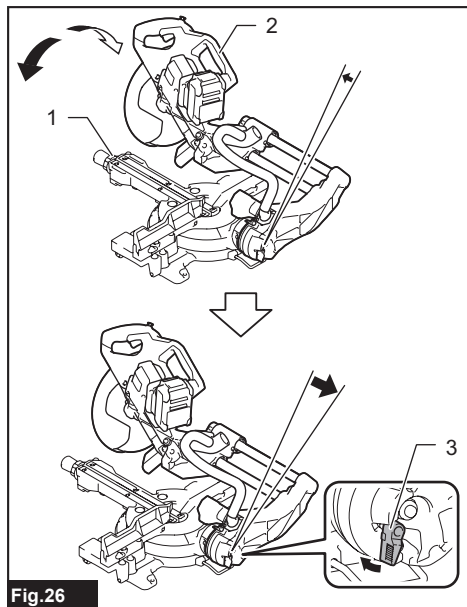


**Fig.25**

- 1. Grip dial 2. Handle 3. Releasing lever for right side bevel angle 4. Pointer 5. Bevel angle scale

## Tilting the circular saw blade beyond the range 0° - 45°

1. Rotate the grip dial counterclockwise.
2. Hold the handle and tilt the carriage through 45° either to the left or right.
3. Pull the carriage back slightly and turn the releasing lever for 48° bevel angle in clockwise direction.
4. Tilt the carriage further to the left or right while keeping the lever released.
5. Tighten the grip dial clockwise to secure the arm.



**Fig.26**

- 1. Grip dial 2. Handle 3. Releasing lever for 48° bevel angle

## Switch action

**⚠ WARNING:** Before installing the battery cartridge(s) into the tool, always check to see that the switch trigger actuates properly and returns to the "OFF" position when released. Do not pull the switch trigger hard without pressing in the lock-off button. This can cause switch breakage. Operating a tool with a switch that does not actuate properly can lead to loss of control and serious personal injury.

**⚠ WARNING:** NEVER use tool without a fully operative switch trigger. Any tool with an inoperative switch is HIGHLY DANGEROUS and must be repaired before further usage or serious personal injury may occur.

**⚠ WARNING:** NEVER defeat the lock-off button by taping down or some other means. A switch with a negated lock-off button may result in unintentional operation and serious personal injury.

**⚠ WARNING:** NEVER use the tool if it runs when you simply pull the switch trigger without pressing the lock-off button. A switch in need of repair may result in unintentional operation and serious personal injury. Return tool to a Makita service center for proper repairs BEFORE further usage.

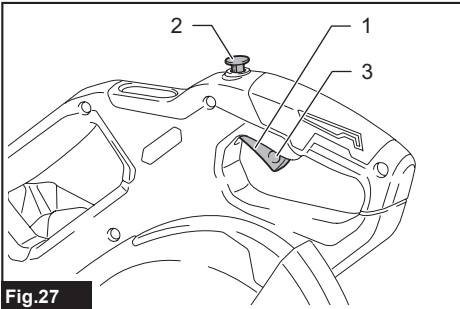


Fig.27

- 1. Switch trigger 2. Lock-off button 3. Hole for padlock

To prevent the switch trigger from being accidentally pulled, a lock-off button is provided. To start the tool, press in the lock-off button and pull the switch trigger. Release the switch trigger to stop. A hole is provided in the switch trigger for insertion of a padlock to lock the tool off.

**⚠ WARNING:** Do not use a lock with a shank or cable any smaller than 6.35 mm (1/4") in diameter. A smaller shank or cable may not properly lock the tool in the off position and unintentional operation may occur resulting in serious personal injury.

## Casting a cutting line

**⚠ CAUTION:** The lamp is not a rainproof. Do not wash the lamp in water or use it in a rain or a wet area. Such a conduct can cause an electric shock and fume.

**⚠ CAUTION:** Do not touch the lens of the lamp as it is very hot while it is lighted or shortly after it is turned off. This may cause burns.

**⚠ CAUTION:** Do not apply impact to the lamp, which may cause damage or shorted service time to it.

**⚠ CAUTION:** Do not look in the light or see the source of light directly.

The LED lamp casts a light over the circular saw blade, and a shadow of the blade falls onto a workpiece serving as a calibration-free cutting line indicator. Press the lamp button to shed a light. A line appears in which the blade will meet the surface of the workpiece, becoming deepened as the blade gets lowered.

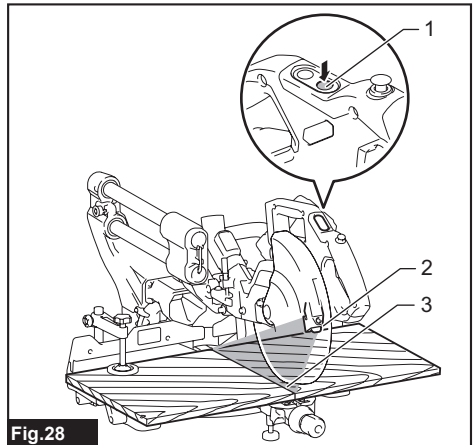


Fig.28

- 1. Lamp button 2. Lamp 3. Cutting line

The indicator helps cut through an existing cut-off line penciled on a workpiece.

1. Hold the handle and lower the circular saw blade so a dense shadow of the blade is thrown against a workpiece.
2. Align a cut-off line drawn on the workpiece with the shadowed cutting line.
3. Adjust the miter angles and bevel angles if necessary.

**NOTE:** Be sure to turn off the lamp switch after use because turning on the light consumes the battery power.

**NOTE:** The light automatically goes off 5 minutes after you cease operation.



## Electronic function

### Electric brake

This tool is equipped with an electric blade brake. If the tool consistently fails to quickly cease to function after the switch trigger is released, have the tool serviced at a Makita service center.

### Constant speed control

The tool is provided with an electronic speed control which helps maintain a constant blade rotation speed even under load. A constant blade rotation speed will result in a very smooth cut.

### Soft start feature

This function allows the smooth start-up of the tool by limiting the start-up torque.

## ASSEMBLY

**⚠WARNING:** Always be sure that the tool is switched off and the battery cartridge is removed before working on the tool. Failure to switch off and remove the battery cartridge may result in serious personal injury.

### Hex wrench storage

When not in use, store the hex wrench as shown in the figure to keep it from being lost.

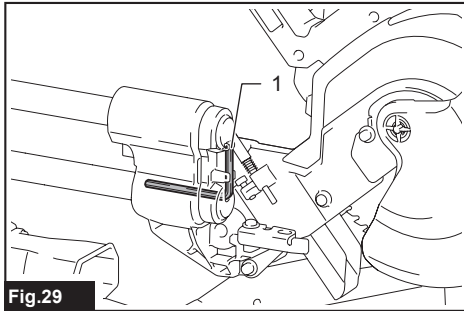


Fig.29

▶ 1. Hex wrench

## Removing and installing saw blade

**⚠WARNING:** Always be sure that the tool is switched off and the battery cartridge is removed before removing and installing the circular saw blade. Accidental start up of the tool may result in serious personal injury.

**⚠WARNING:** Use only the Makita wrench provided to remove and install the circular saw blade. Failure to use the wrench may result in overtightening or insufficient tightening of the hex socket bolt and serious personal injury.

**⚠WARNING:** Never use or substitute the parts which are not supplied with this tool. Using such parts can cause serious personal injury.

**⚠WARNING:** After installing the circular saw blade, always make sure that it is securely installed. Loose attachment of the circular saw blade can cause serious personal injury.

### Removing the blade

To remove the circular saw blade, perform the following steps:

1. Lock the carriage in the raised position by pulling and turning the stopper pin in a locked position.

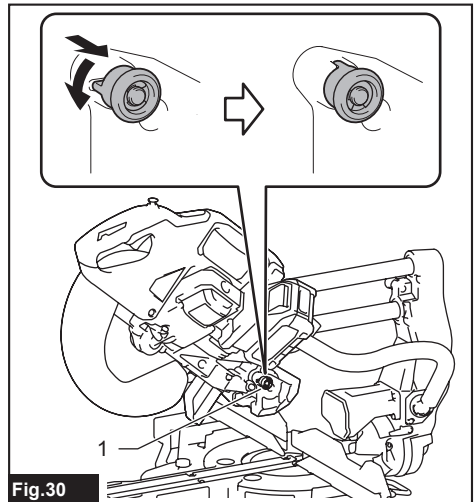


Fig.30

▶ 1. Stopper pin

2. Use the hex wrench to loosen the hex socket bolt holding the center cover. Then, raise the blade guard and center cover.

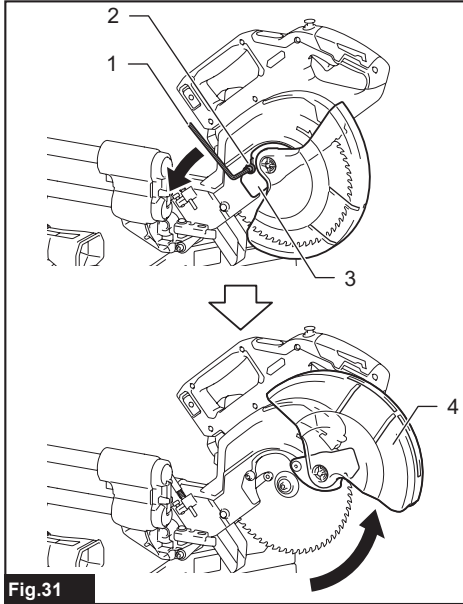


Fig.31

► 1. Hex wrench 2. Hex socket bolt 3. Center cover  
4. Blade guard

3. Press the shaft lock to lock the spindle and use the hex wrench to loosen the hex socket bolt clockwise. Then remove the hex socket bolt, outer flange and circular saw blade.

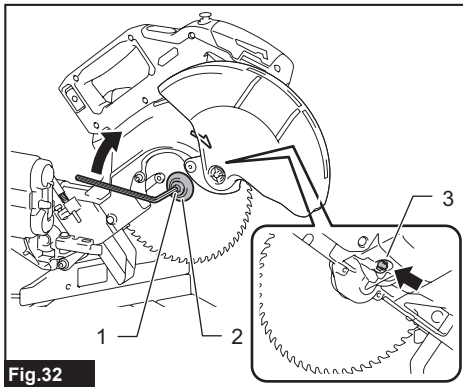


Fig.32

► 1. Hex socket bolt (left-handed) 2. Outer flange  
3. Shaft lock

4. If the inner flange is removed, install it on the spindle with its recessed side facing the circular saw blade. If the flange is installed incorrectly the flange will rub against the machine.

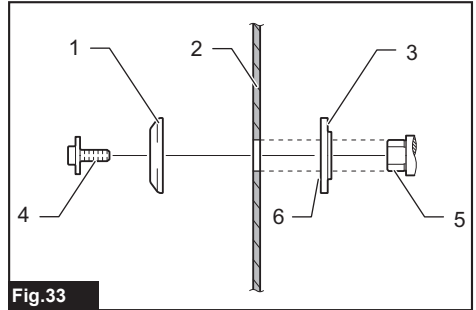


Fig.33

► 1. Outer flange 2. Circular saw blade 3. Inner flange  
4. Hex socket bolt (left-handed) 5. Spindle  
6. Recessed side

## Installing the blade

**CAUTION:** Make sure to install the circular saw blade so that the direction of the arrow on the blade matches that on the blade case. Failure to do so may result in personal injury and cause damage to the tool and/or the workpiece.

To install the circular saw blade, perform the following steps:

1. Mount the circular saw blade carefully onto the inner flange. Make sure that the direction of the arrow on the circular saw blade matches the direction of the arrow on the blade case.

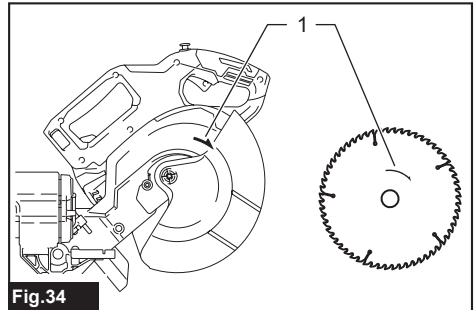
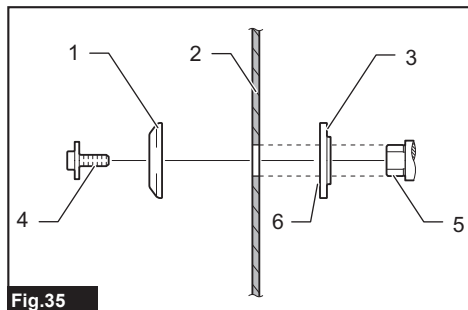


Fig.34

► 1. Arrow

2. Install the outer flange and hex socket bolt, and then use the hex wrench to tighten the hex socket bolt (left-handed) counterclockwise securely while pressing the shaft lock.

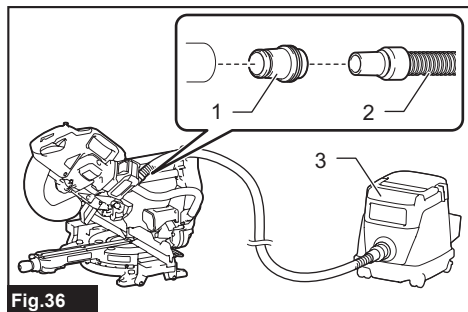


**Fig. 35**

- ▶ 1. Outer flange 2. Circular saw blade 3. Inner flange 4. Hex socket bolt (left-handed) 5. Spindle 6. Recessed side
3. Return the blade guard and center cover to its original position. Then tighten the hex socket bolt of the center cover to secure it.
4. Pull and turn the stopper pin to release the carriage from the raised position. Lower the carriage and check that the blade guard moves properly.

### Connecting a vacuum cleaner

When you wish to perform clean cutting operation, connect a Makita vacuum cleaner to the dust nozzle (upper dust port) using a front cuff 24 (optional accessory).



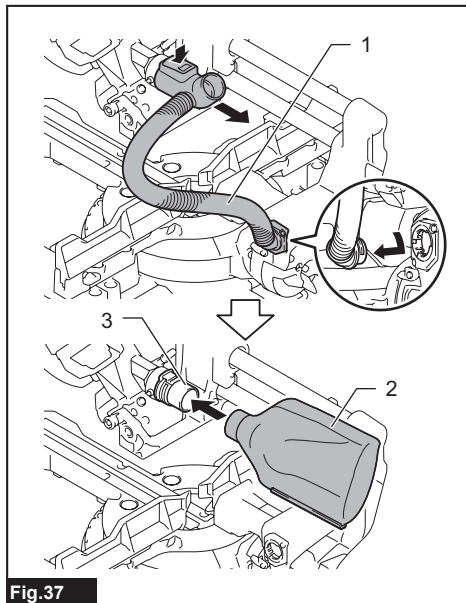
**Fig. 36**

- ▶ 1. Front cuff 24 2. Hose 3. Vacuum cleaner

### Dust bag

**CAUTION:** When performing a cutting, always attach the dust bag or connect a vacuum cleaner to prevent dust-related hazards.

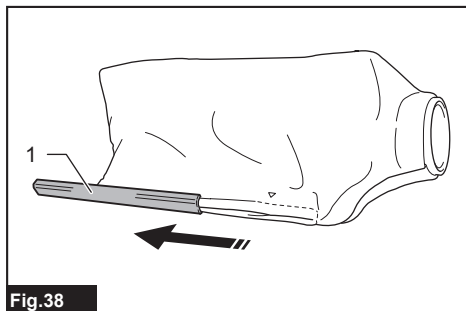
The use of the dust bag makes cutting operations clean and dust collection easy. To attach the dust bag, remove the dust extraction hose from the tool and connect the dust bag to the dust nozzle (upper dust port).



**Fig. 37**

- ▶ 1. Dust extraction hose 2. Dust bag 3. Dust nozzle (upper dust port)

When the dust bag is about half full, remove the dust bag from the tool and pull the fastener out. Empty the dust bag of its contents, tapping it lightly so as to remove particles adhering to the insides which might hamper further collection.



**Fig. 38**

- ▶ 1. Fastener

## Securing workpiece

**⚠ WARNING:** It is extremely important to always secure the workpiece correctly with the proper type of vise. Failure to do so may result in serious personal injury and cause damage to the tool and/or the workpiece.

**⚠ WARNING:** When cutting a workpiece that is longer than the support base of the saw, support the entire length of the material beyond the support base and at the same height to keep the material level. Proper workpiece support helps to avoid blade pinch and possible kickback which may result in serious personal injury. Do not rely solely on the vertical vise and/or horizontal vise to secure the workpiece. Thin material tends to sag. Support workpiece over its entire length to avoid blade pinch and possible KICKBACK.

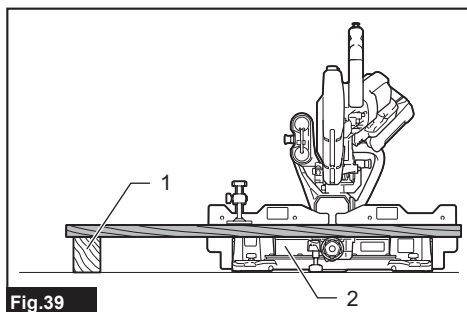


Fig.39

► 1. Support 2. Turn base

## Guide fences

**⚠ WARNING:** Before operating the tool, make sure that the upper fence is secured firmly.

**⚠ WARNING:** Before bevel-cutting, make sure that no part of the tool, especially the blade, contacts the upper and lower fences when fully lowering and raising the handle in any position and while moving the carriage through its full range of travel. If the tool or blade makes contact with the fence this may result in kickback or unexpected movement of the material and serious personal injury.

Use upper fences to support the material higher than the lower fences. Loosen the clamping screw so that the upper fences slide in and out over the lower fences. Reposition the fences and then tighten the screw.

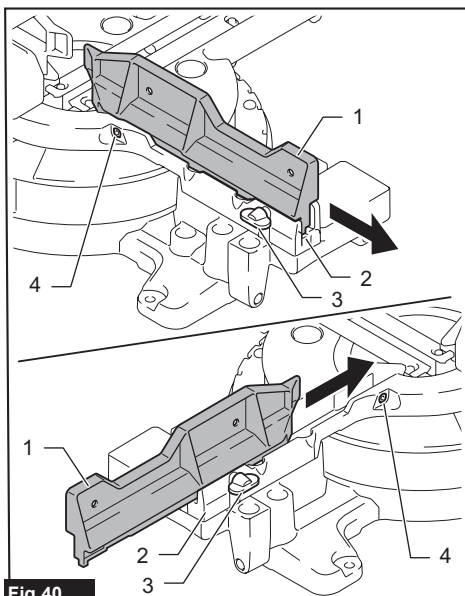


Fig.40

► 1. Upper fence 2. Lower fence 3. Clamping screw 4. Adjusting screw

**NOTICE:** The lower fences are fixed to the base in the factory. Do not remove the lower fences.

**NOTICE:** If the upper fence is still loose after tightening the clamping screw, turn the adjusting screw to close a gap. The adjusting screw is factory adjusted. You don't need to use it unless needed.

## Vertical vise

**⚠ WARNING:** The workpiece must be secured firmly against the turn base and guide fences with the vise during all operations. If the workpiece is not properly secured against the fence the material may move during the cutting operation causing possible damage to the blade, causing the material to be thrown and loss of control resulting in serious personal injury.

The vertical vise can be installed in two positions each on the left and right side of the base. Insert the vise rod into one of the holes in the base.

Position the vise arm according to the thickness and shape of the workpiece and secure the vise arm by tightening the clamping screw. If the clamping screw contacts the carriage, install it on the opposite side of vise arm. Make sure that no part of the tool contacts the vise when lowering the handle all the way. If some part contacts the vise, re-position the vise.

Press the workpiece flat against the guide fences and the turn base. Position the workpiece at the desired cutting position and secure it firmly by tightening the vise knob.

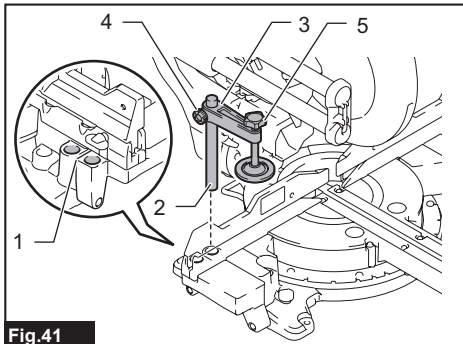


Fig.41

- 1. Holes 2. Vise rod 3. Vise arm 4. Clamping screw  
5. Vise knob

## Horizontal vise

### Optional accessory

**⚠ WARNING:** Always rotate the nut holder clockwise until the workpiece is properly secured. If the workpiece is not properly secured the material may move during the cutting operation causing possible damage to the circular saw blade, causing the material to be thrown and loss of control resulting in serious personal injury.

**⚠ WARNING:** When cutting a thin workpiece, such as base boards, against the fence, always use the horizontal vise.

**⚠ CAUTION:** When cutting the workpiece of the thickness 20 mm (13/16") or thinner, make sure to use a spacer block to secure the workpiece.

The horizontal vise can be installed either on the left or on the right side of the base. When performing 22.5° or greater miter cuts, install the horizontal vise on the side opposite to the direction in which the turn base is to be turned.

By flipping the nut holder counterclockwise, the vise is released, and rapidly moves in and out. To grip the workpiece, push the vise knob forward until the vise plate contacts the workpiece and flip the nut holder clockwise. Then turn the vise knob clockwise to secure the workpiece.

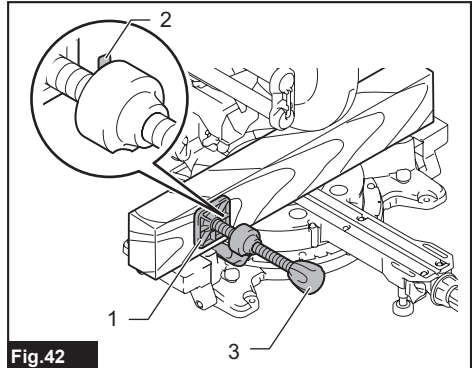


Fig.42

- 1. Vise plate 2. Nut holder 3. Vise knob

**NOTE:** The maximum width of workpiece which can be secured by the horizontal vise is 68 mm (2-11/16").

## Sub base

**⚠ WARNING:** Always support a long workpiece so it is level with the top surface of the turn base for an accurate cut and to prevent dangerous loss of tool control. Proper workpiece support will help avoid blade pinch and possible kickback which may result in serious personal injury.

**⚠ WARNING:** Before the cutting operation, always be sure that the sub bases are secured by the screws.

To hold long workpieces horizontally, sub bases are provided on both sides of the tool. Loosen the screws and extend the sub bases to the appropriate length for holding the workpiece. Then tighten the screws.

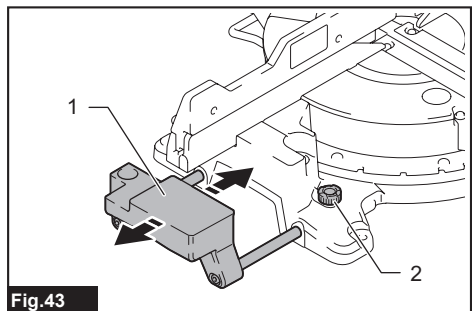


Fig.43

- 1. Sub base 2. Screw

When cutting, place the workpiece flat against the guide fences.

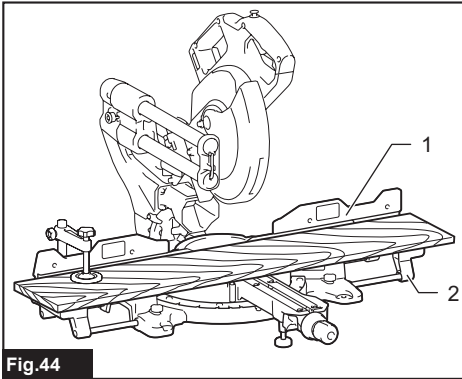


Fig.44

► 1. Guide fence 2. Sub base

## OPERATION

This tool is intended to cut wood products. With appropriate Makita genuine saw blades, following materials can also be sawed :

— Aluminum products

Refer to our website or contact your local Makita dealer for the correct circular saw blades to be used for the material to be cut.

**⚠WARNING:** Make sure the circular saw blade is not contacting the workpiece, etc. before the switch is turned on. Turning the tool on with the circular saw blade in contact with the workpiece may result in kickback and serious personal injury.

**⚠WARNING:** After a cutting operation, do not raise the circular saw blade until it has come to a complete stop. The raising of a coasting blade may result in serious personal injury and damage to the workpiece.

**⚠WARNING:** Do not perform any adjustment such as turning grip, levers, stopper pin on the tool while the circular saw blade is rotating. Adjustment while the circular saw blade is rotating may result in serious personal injury.

**NOTICE:** Before use, be sure to unlock the stopper pin and release the handle from the lowered position.

**NOTICE:** Do not apply excessive pressure on the handle when cutting. Too much force may result in overload of the motor and/or decreased cutting efficiency. Press down handle with only as much force as necessary for smooth cutting and without significant decrease in blade speed.

**NOTICE:** Gently press down the handle to perform the cut. If the handle is pressed down with force or if lateral force is applied, the circular saw blade may vibrate and leave a mark (saw mark) in the workpiece and the precision of the cut may be impaired.

**NOTICE:** During a slide cut, gently push the carriage toward the guide fences without stopping. If the carriage movement stops during the cut, a mark may be left in the workpiece and the precision of the cut may be impaired.

## Press cutting

**⚠WARNING:** Always lock the sliding movement of the carriage when performing a press cutting. Cutting without lock may cause possible kickback which may result in serious personal injury.

Workpieces up to 70 mm (2-3/4") high and 92 mm (3-5/8") wide can be cut in the following manner.

1. Push the carriage toward the guide fences until it stops and lock it with the stopper pin.
2. Secure the workpiece with the proper type of vise.
3. Switch on the tool without the circular saw blade making any contact and wait until the circular saw blade attains full speed before lowering.
4. Gently lower the handle to the fully lowered position to cut the workpiece.
5. When the cut is completed, switch off the tool and wait until the circular saw blade has come to a complete stop before returning the circular saw blade to its fully elevated position.

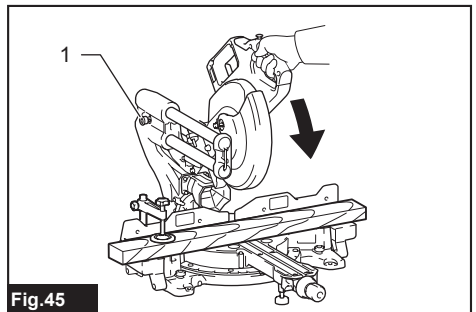


Fig.45

► 1. Stopper pin

## Slide (push) cutting (cutting wide workpieces)

**⚠ WARNING:** Whenever performing a slide cut, first pull the carriage full towards you and press the handle all the way down, then push the carriage toward the guide fence. Never start the cut with the carriage not pulled fully toward you. If you perform the slide cut without the carriage pulled fully toward you, unexpected kickback may occur and serious personal injury may result.

**⚠ WARNING:** Never attempt to perform a slide cut by pulling the carriage towards you. Pulling the carriage towards you while cutting may cause unexpected kickback resulting in possible serious personal injury.

**⚠ WARNING:** Never perform the slide cut with the handle locked in the lowered position.

1. Unlock the stopper pins so that the carriage can be elevated and slid freely.
2. Secure the workpiece with the proper type of vise.
3. Pull the carriage toward you fully.
4. Switch on the tool without the circular saw blade making any contact and wait until the circular saw blade attains full speed.
5. Press the handle down and **push the carriage toward the guide fences and through the workpiece.**
6. When the cut is completed, switch off the tool and **wait until the circular saw blade has come to a complete stop** before returning the circular saw blade to its fully elevated position.

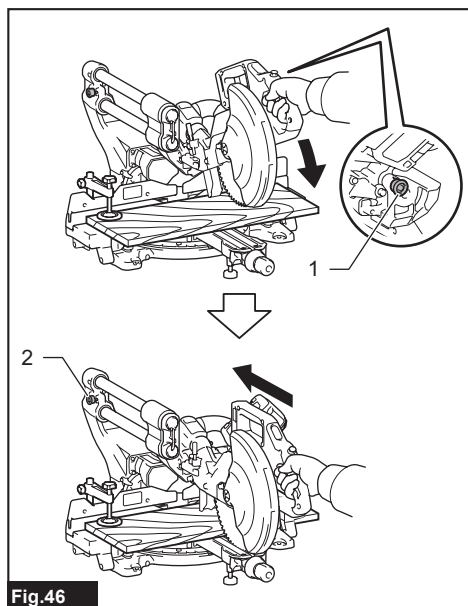


Fig.46

- 1. Stopper pin for handle lock 2. Stopper pin for slide lock

## Miter cutting

Refer to the section for adjusting the miter angle.

## Bevel cut

**⚠ WARNING:** After setting the circular saw blade for a bevel cut, ensure that the carriage and circular saw blade will have free travel throughout the entire range of the intended cut before operating the tool. Interruption of the carriage or circular saw blade travel during the cutting operation may result in kickback and serious personal injury.

**⚠ WARNING:** While making a bevel cut, keep hands out of the path of the circular saw blade. The angle of the circular saw blade may confuse the operator as to the actual blade path while cutting and contact with the circular saw blade will result in serious personal injury.

**⚠ WARNING:** The circular saw blade should not be raised until it has come to a complete stop. During a bevel cut, the piece cut off may come to rest against the circular saw blade. If the circular saw blade is raised while it is rotating, the cut-off piece may be ejected by the circular saw blade causing the material to fragment which may result in serious personal injury.

**NOTICE:** When pressing down the handle, apply pressure in parallel with the circular saw blade. If a force is applied perpendicularly to the turn base or if the pressure direction is changed during a cut, the precision of the cut will be impaired.

1. Remove the upper fence on the side that you are going to tilt the carriage.
2. Unlock the stopper pins so that the carriage can be elevated and slid freely.
3. Adjust the bevel angle according to the procedure explained in the section for bevel angle adjustment. Then tighten the grip dial.
4. Secure the workpiece with a vise.
5. Pull the carriage toward you fully.
6. Switch on the tool without the circular saw blade making any contact and wait until the circular saw blade attains full speed.
7. Gently lower the handle to the fully lowered position while applying pressure in parallel with the circular saw blade and **push the carriage toward the guide fences to cut the workpiece.**
8. When the cut is completed, switch off the tool and **wait until the circular saw blade has come to a complete stop** before returning the circular saw blade to its fully elevated position.

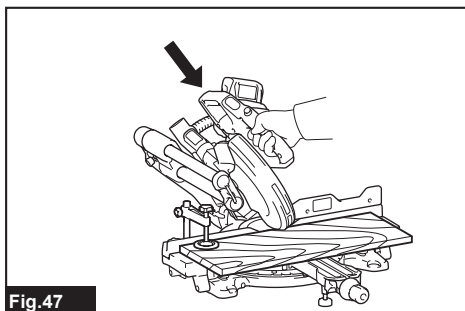


Fig.47

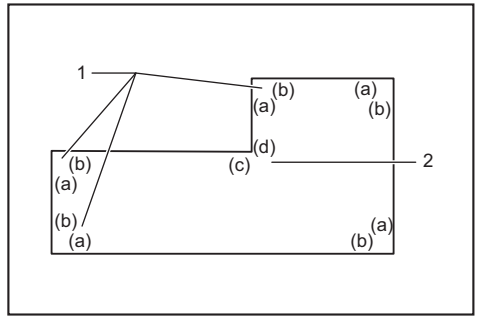


## Compound cutting

Compound cutting is the process in which a bevel angle is made at the same time in which a miter angle is being cut on a workpiece. Compound cutting can be performed at the angle shown in the table.

| Miter angle             | Bevel angle             |
|-------------------------|-------------------------|
| Left and Right 0° - 45° | Left and Right 0° - 45° |

When performing compound cutting, refer to the section for press cutting, slide (push) cutting, miter cutting, and bevel cut.



1. Inside corner 2. Outside corner

## Cutting crown and cove moldings

Crown and cove moldings can be cut on a compound miter saw with the moldings laid flat on the turn base. There are two common types of crown moldings and one type of cove moldings; 52/38° wall angle crown molding, 45° wall angle crown molding and 45° wall angle cove molding.

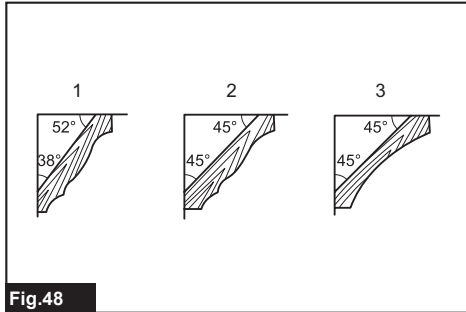
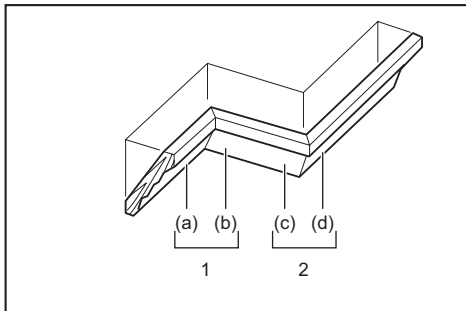


Fig.48

► 1. 52/38° type crown molding 2. 45° type crown molding 3. 45° type cove molding

There are crown and cove molding joints which are made to fit "Inside" 90° corners ((a) and (b) in the figure) and "Outside" 90° corners ((c) and (d) in the figure.)



1. Inside corner 2. Outside corner

## Measuring

Measure the wall width, and adjust the width of the workpiece according to it. Always make sure that width of the workpiece's wall contact edge is the same as wall length.

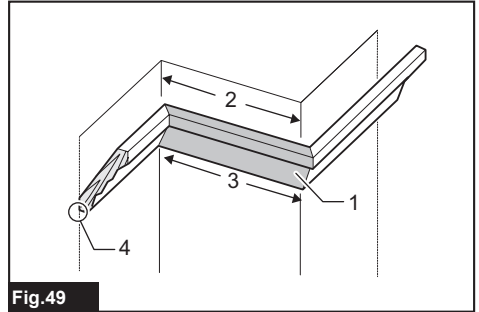


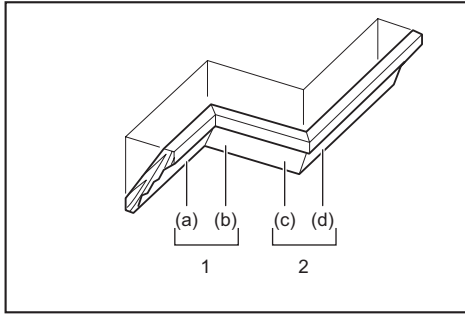
Fig.49

► 1. Workpiece 2. Wall width 3. Width of the workpiece 4. Wall contact edge

Always use several pieces for test cuts to check the saw angles.

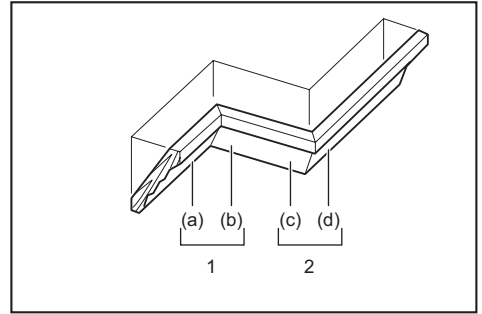
When cutting crown and cove moldings, set the bevel angle and miter angle as indicated in the table (A) and position the moldings on the top surface of the saw base as indicated in the table (B).

## In the case of left bevel cut



1. Inside corner 2. Outside corner

## In the case of right bevel cut



1. Inside corner 2. Outside corner

Table (A)

| -                  | Molding position in the figure | Bevel angle |          | Miter angle |             |
|--------------------|--------------------------------|-------------|----------|-------------|-------------|
|                    |                                | 52/38° type | 45° type | 52/38° type | 45° type    |
| For inside corner  | (a)                            | Left 33.9°  | Left 30° | Right 31.6° | Right 35.3° |
|                    | (b)                            |             |          | Left 31.6°  | Left 35.3°  |
| For outside corner | (c)                            |             |          | Right 31.6° | Right 35.3° |
|                    | (d)                            |             |          | Right 31.6° | Right 35.3° |

Table (A)

| -                  | Molding position in the figure | Bevel angle |           | Miter angle |             |
|--------------------|--------------------------------|-------------|-----------|-------------|-------------|
|                    |                                | 52/38° type | 45° type  | 52/38° type | 45° type    |
| For inside corner  | (a)                            | Right 33.9° | Right 30° | Right 31.6° | Right 35.3° |
|                    | (b)                            |             |           | Left 31.6°  | Left 35.3°  |
| For outside corner | (c)                            |             |           | Right 31.6° | Right 35.3° |
|                    | (d)                            |             |           | Right 31.6° | Right 35.3° |

Table (B)

| -                  | Molding position in the figure | Molding edge against guide fence                    | Finished piece                                     |
|--------------------|--------------------------------|---|--|
| For inside corner  | (a)                            | Ceiling contact edge should be against guide fence. | Finished piece will be on the Left side of blade.  |
|                    | (b)                            | Wall contact edge should be against guide fence.    |  |
| For outside corner | (c)                            | Wall contact edge should be against guide fence.    | Finished piece will be on the Right side of blade. |
|                    | (d)                            | Ceiling contact edge should be against guide fence. |  |

Table (B)

| -                  | Molding position in the figure | Molding edge against guide fence                    | Finished piece                                     |
|--------------------|--------------------------------|---|--|
| For inside corner  | (a)                            | Wall contact edge should be against guide fence.    | Finished piece will be on the Right side of blade. |
|                    | (b)                            | Ceiling contact edge should be against guide fence. |  |
| For outside corner | (c)                            | Wall contact edge should be against guide fence.    | Finished piece will be on the Left side of blade.  |
|                    | (d)                            | Ceiling contact edge should be against guide fence. |  |

### Example:

In the case of cutting 52/38° type crown molding for position (a) in the above figure:

- Tilt and secure bevel angle setting to 33.9° LEFT.
- Adjust and secure miter angle setting to 31.6° RIGHT.
- Lay crown molding with its broad back (hidden) surface down on the turn base with its CEILING CONTACT EDGE against the guide fence on the saw.
- The finished piece to be used will always be on the LEFT side of the circular saw blade after the cut has been made.

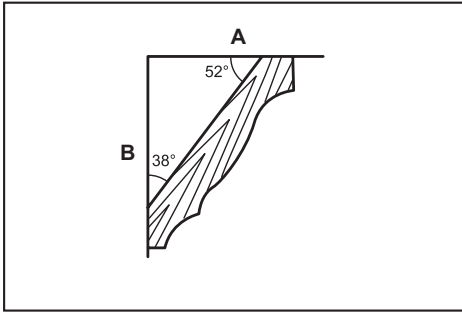
### Example:

In the case of cutting 52/38° type crown molding for position (a) in the above figure:

- Tilt and secure bevel angle setting to 33.9° RIGHT.
- Adjust and secure miter angle setting to 31.6° RIGHT.
- Lay crown molding with its broad back (hidden) surface down on the turn base with its WALL CONTACT EDGE against the guide fence on the saw.
- The finished piece to be used will always be on the RIGHT side of the circular saw blade after the cut has been made.

# Miter and Bevel Angle Settings

Wall to Crown Molding Angle: 52°/38°



| 1   | 2    | 3    |
|-----|------|------|
| 60  | 43.0 | 46.8 |
| 61  | 42.8 | 46.3 |
| 62  | 42.5 | 45.7 |
| 63  | 42.2 | 45.1 |
| 64  | 41.9 | 44.6 |
| 65  | 41.7 | 44.0 |
| 66  | 41.4 | 43.5 |
| 67  | 41.1 | 42.9 |
| 68  | 40.8 | 42.4 |
| 69  | 40.5 | 41.9 |
| 70  | 40.2 | 41.3 |
| 71  | 39.9 | 40.8 |
| 72  | 39.6 | 40.3 |
| 73  | 39.3 | 39.8 |
| 74  | 39.0 | 39.2 |
| 75  | 38.7 | 38.7 |
| 76  | 38.4 | 38.2 |
| 77  | 38.1 | 37.7 |
| 78  | 37.8 | 37.2 |
| 79  | 37.4 | 36.8 |
| 80  | 37.1 | 36.3 |
| 81  | 36.8 | 35.8 |
| 82  | 36.5 | 35.3 |
| 83  | 36.2 | 34.8 |
| 84  | 35.8 | 34.4 |
| 85  | 35.5 | 33.9 |
| 86  | 35.2 | 33.4 |
| 87  | 34.9 | 33.0 |
| 88  | 34.5 | 32.5 |
| 89  | 34.2 | 32.1 |
| 90  | 33.9 | 31.6 |
| 91  | 33.5 | 31.2 |
| 92  | 33.2 | 30.7 |
| 93  | 32.8 | 30.3 |
| 94  | 32.5 | 29.9 |
| 95  | 32.2 | 29.4 |
| 96  | 31.8 | 29.0 |
| 97  | 31.5 | 28.6 |
| 98  | 31.1 | 28.2 |
| 99  | 30.8 | 27.7 |
| 100 | 30.4 | 27.3 |

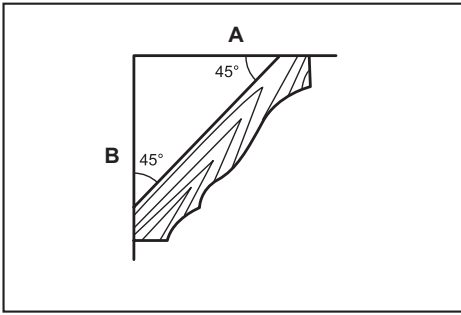
| 1   | 2    | 3    |
|-----|------|------|
| 101 | 30.1 | 26.9 |
| 102 | 29.7 | 26.5 |
| 103 | 29.4 | 26.1 |
| 104 | 29.0 | 25.7 |
| 105 | 28.7 | 25.3 |
| 106 | 28.3 | 24.9 |
| 107 | 28.0 | 24.5 |
| 108 | 27.6 | 24.1 |
| 109 | 27.2 | 23.7 |
| 110 | 26.9 | 23.3 |
| 111 | 26.5 | 22.9 |
| 112 | 26.1 | 22.6 |
| 113 | 25.8 | 22.2 |
| 114 | 25.4 | 21.8 |
| 115 | 25.0 | 21.4 |
| 116 | 24.7 | 21.0 |
| 117 | 24.3 | 20.7 |
| 118 | 23.9 | 20.3 |
| 119 | 23.6 | 19.9 |
| 120 | 23.2 | 19.6 |
| 121 | 22.8 | 19.2 |
| 122 | 22.5 | 18.8 |
| 123 | 22.1 | 18.5 |
| 124 | 21.7 | 18.1 |
| 125 | 21.3 | 17.8 |
| 126 | 21.0 | 17.4 |
| 127 | 20.6 | 17.1 |
| 128 | 20.2 | 16.7 |
| 129 | 19.8 | 16.4 |
| 130 | 19.5 | 16.0 |
| 131 | 19.1 | 15.7 |
| 132 | 18.7 | 15.3 |
| 133 | 18.3 | 15.0 |
| 134 | 17.9 | 14.6 |
| 135 | 17.6 | 14.3 |
| 136 | 17.2 | 14.0 |
| 137 | 16.8 | 13.6 |
| 138 | 16.4 | 13.3 |
| 139 | 16.0 | 13.0 |
| 140 | 15.6 | 12.8 |

| 1   | 2    | 3    |
|-----|------|------|
| 141 | 15.3 | 12.3 |
| 142 | 14.9 | 12.0 |
| 143 | 14.5 | 11.6 |
| 144 | 14.1 | 11.3 |
| 145 | 13.7 | 11.0 |
| 146 | 13.3 | 10.7 |
| 147 | 12.9 | 10.3 |
| 148 | 12.5 | 10.0 |
| 149 | 12.2 | 9.7  |
| 150 | 11.8 | 9.4  |
| 151 | 11.4 | 9.0  |
| 152 | 11.0 | 8.7  |
| 153 | 10.8 | 8.4  |
| 154 | 10.2 | 8.1  |
| 155 | 9.8  | 7.8  |
| 156 | 9.4  | 7.5  |
| 157 | 9.0  | 7.1  |
| 158 | 8.6  | 6.8  |
| 159 | 8.3  | 6.5  |
| 160 | 7.9  | 6.2  |
| 161 | 7.5  | 5.9  |
| 162 | 7.1  | 5.6  |
| 163 | 6.7  | 5.3  |
| 164 | 6.3  | 4.9  |
| 165 | 5.9  | 4.6  |
| 166 | 5.5  | 4.3  |
| 167 | 5.1  | 4.0  |
| 168 | 4.7  | 3.7  |
| 169 | 4.3  | 3.4  |
| 170 | 3.9  | 3.1  |
| 171 | 3.5  | 2.8  |
| 172 | 3.2  | 2.5  |
| 173 | 2.8  | 2.2  |
| 174 | 2.4  | 1.8  |
| 175 | 2.0  | 1.5  |
| 176 | 1.6  | 1.2  |
| 177 | 1.2  | 0.9  |
| 178 | 0.8  | 0.6  |
| 179 | 0.4  | 0.3  |
| 180 | 0.0  | 0.0  |

A Ceiling side B Wall side

1. Wall Angle (deg.) 2. Bevel Angle (deg.) 3. Miter Angle (deg.)

Wall to Crown Molding Angle: 45°



|     | 1    | 2    | 3 |
|-----|------|------|---|
| 60  | 37.8 | 50.8 |   |
| 61  | 37.5 | 50.2 |   |
| 62  | 37.3 | 49.6 |   |
| 63  | 37.1 | 49.1 |   |
| 64  | 36.8 | 48.5 |   |
| 65  | 36.6 | 48.0 |   |
| 66  | 36.4 | 47.4 |   |
| 67  | 36.1 | 46.9 |   |
| 68  | 35.9 | 46.4 |   |
| 69  | 35.6 | 45.8 |   |
| 70  | 35.4 | 45.3 |   |
| 71  | 35.1 | 44.8 |   |
| 72  | 34.9 | 44.2 |   |
| 73  | 34.6 | 43.7 |   |
| 74  | 34.4 | 43.2 |   |
| 75  | 34.1 | 42.7 |   |
| 76  | 33.9 | 42.1 |   |
| 77  | 33.6 | 41.6 |   |
| 78  | 33.3 | 41.1 |   |
| 79  | 33.1 | 40.6 |   |
| 80  | 32.8 | 40.1 |   |
| 81  | 32.5 | 39.6 |   |
| 82  | 32.3 | 39.1 |   |
| 83  | 32.0 | 38.6 |   |
| 84  | 31.7 | 38.1 |   |
| 85  | 31.4 | 37.7 |   |
| 86  | 31.1 | 37.2 |   |
| 87  | 30.9 | 36.7 |   |
| 88  | 30.6 | 36.2 |   |
| 89  | 30.3 | 35.7 |   |
| 90  | 30.0 | 35.3 |   |
| 91  | 29.7 | 34.8 |   |
| 92  | 29.4 | 34.3 |   |
| 93  | 29.1 | 33.9 |   |
| 94  | 28.8 | 33.4 |   |
| 95  | 28.5 | 32.9 |   |
| 96  | 28.2 | 32.5 |   |
| 97  | 27.9 | 32.0 |   |
| 98  | 27.6 | 31.6 |   |
| 99  | 27.3 | 31.1 |   |
| 100 | 27.0 | 30.7 |   |

|     | 1    | 2    | 3 |
|-----|------|------|---|
| 101 | 26.7 | 30.2 |   |
| 102 | 26.4 | 29.8 |   |
| 103 | 26.1 | 29.4 |   |
| 104 | 25.8 | 28.9 |   |
| 105 | 25.5 | 28.5 |   |
| 106 | 25.2 | 28.1 |   |
| 107 | 24.9 | 27.6 |   |
| 108 | 24.6 | 27.2 |   |
| 109 | 24.2 | 26.8 |   |
| 110 | 23.9 | 26.3 |   |
| 111 | 23.6 | 25.9 |   |
| 112 | 23.3 | 25.5 |   |
| 113 | 23.0 | 25.1 |   |
| 114 | 22.7 | 24.7 |   |
| 115 | 22.3 | 24.3 |   |
| 116 | 22.0 | 23.8 |   |
| 117 | 21.7 | 23.4 |   |
| 118 | 21.4 | 23.0 |   |
| 119 | 21.0 | 22.6 |   |
| 120 | 20.7 | 22.2 |   |
| 121 | 20.4 | 21.8 |   |
| 122 | 20.0 | 21.4 |   |
| 123 | 19.7 | 21.0 |   |
| 124 | 19.4 | 20.6 |   |
| 125 | 19.1 | 20.2 |   |
| 126 | 18.7 | 19.8 |   |
| 127 | 18.4 | 19.4 |   |
| 128 | 18.1 | 19.0 |   |
| 129 | 17.7 | 18.6 |   |
| 130 | 17.4 | 18.2 |   |
| 131 | 17.1 | 17.9 |   |
| 132 | 16.7 | 17.5 |   |
| 133 | 16.4 | 17.1 |   |
| 134 | 16.0 | 16.7 |   |
| 135 | 15.7 | 16.3 |   |
| 136 | 15.4 | 15.9 |   |
| 137 | 15.0 | 15.6 |   |
| 138 | 14.7 | 15.2 |   |
| 139 | 14.3 | 14.8 |   |
| 140 | 14.0 | 14.4 |   |

|     | 1    | 2    | 3 |
|-----|------|------|---|
| 141 | 13.7 | 14.1 |   |
| 142 | 13.3 | 13.7 |   |
| 143 | 13.0 | 13.3 |   |
| 144 | 12.6 | 12.9 |   |
| 145 | 12.3 | 12.6 |   |
| 146 | 11.9 | 12.2 |   |
| 147 | 11.6 | 11.8 |   |
| 148 | 11.2 | 11.5 |   |
| 149 | 10.9 | 11.1 |   |
| 150 | 10.5 | 10.7 |   |
| 151 | 10.2 | 10.4 |   |
| 152 | 9.8  | 10.0 |   |
| 153 | 9.5  | 9.6  |   |
| 154 | 9.2  | 9.3  |   |
| 155 | 8.8  | 8.9  |   |
| 156 | 8.5  | 8.5  |   |
| 157 | 8.1  | 8.2  |   |
| 158 | 7.8  | 7.8  |   |
| 159 | 7.4  | 7.5  |   |
| 160 | 7.1  | 7.1  |   |
| 161 | 6.7  | 6.7  |   |
| 162 | 6.4  | 6.4  |   |
| 163 | 6.0  | 6.0  |   |
| 164 | 5.6  | 5.7  |   |
| 165 | 5.3  | 5.3  |   |
| 166 | 4.9  | 5.0  |   |
| 167 | 4.6  | 4.6  |   |
| 168 | 4.2  | 4.3  |   |
| 169 | 3.9  | 3.9  |   |
| 170 | 3.5  | 3.5  |   |
| 171 | 3.2  | 3.2  |   |
| 172 | 2.8  | 2.8  |   |
| 173 | 2.5  | 2.5  |   |
| 174 | 2.1  | 2.1  |   |
| 175 | 1.8  | 1.8  |   |
| 176 | 1.4  | 1.4  |   |
| 177 | 1.1  | 1.1  |   |
| 178 | 0.7  | 0.7  |   |
| 179 | 0.4  | 0.4  |   |
| 180 | 0.0  | 0.0  |   |

A Ceiling side B Wall side

1. Wall Angle (deg.) 2. Bevel Angle (deg.) 3. Miter Angle (deg.)

## Cutting aluminum extrusion

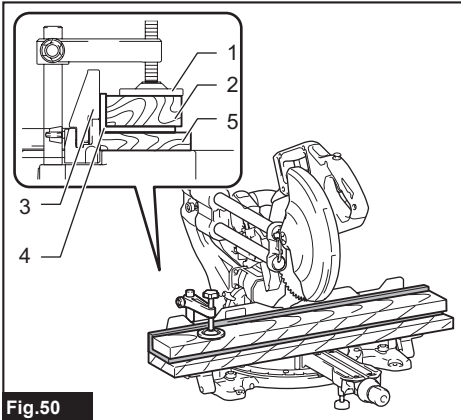


Fig.50

- 1. Vise 2. Spacer block 3. Guide fence 4. Aluminum extrusion 5. Spacer block

When securing aluminum extrusions, use spacer blocks or pieces of scrap as shown in the figure to prevent deformation of the aluminum. Use a cutting lubricant when cutting the aluminum extrusion to prevent build-up of the aluminum material on the circular saw blade.

**⚠ WARNING: Never attempt to cut thick or round aluminum extrusions.** Thick or round aluminum extrusions can be difficult to secure and the work may loosen during the cutting operation which may result in loss of control and serious personal injury.

## Groove cutting

**⚠ WARNING: Do not attempt to perform this type of cut by using a wider type blade or dado blade.** Attempting to make a groove cut with a wider blade or dado blade could lead to unexpected cutting results and kickback which may result in serious personal injury.

**⚠ WARNING: Be sure to return the stopper arm to the original position when performing other than groove cutting.** Attempting to make cuts with the stopper arm in the incorrect position could lead to unexpected cutting results and kickback which may result in serious personal injury.

For a dado type cut, perform as follows:

1. Adjust the lower limit position of the circular saw blade using the adjusting screw and the stopper arm to limit the cutting depth of the circular saw blade. Refer to the section for stopper arm.

2. After adjusting the lower limit position of the circular saw blade, cut parallel grooves across the width of the workpiece using a slide (push) cut.

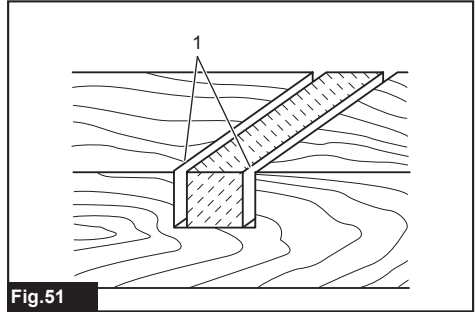


Fig.51

- 1. Cut grooves with blade

3. Remove the workpiece material between the grooves with a chisel.

## Carrying tool

Before carrying the tool, be sure to remove the battery cartridge and all movable parts of the miter saw are secured. Always check the following:

- The battery cartridge is removed.
- The carriage is at 0° bevel angle position and secured.
- The carriage is lowered and locked.
- The carriage is fully slid to the guide fences and locked.
- The turn base is at the full right miter angle position and secured.
- The sub bases are stored and secured.

Carry the tool by the handle or by holding both sides of the tool base.

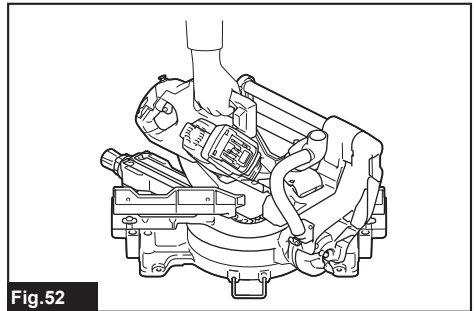


Fig.52

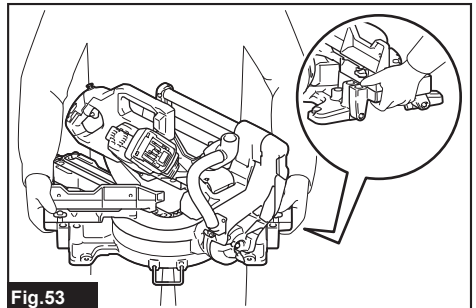


Fig.53

**⚠WARNING:** Stopper pin for carriage elevation is for carrying and storage purposes only and not for any cutting operations. The use of the stopper pin for cutting operations may cause unexpected movement of the circular saw blade resulting in kick-back and serious personal injury.

**⚠CAUTION:** Always secure all moving portions before carrying the tool. If portions of the tool move or slide while being carried, loss of control or balance may occur and result in personal injury.

**⚠CAUTION:** Be sure that the carriage elevation is properly locked at its bottom by the stopper pin. If the stopper pin is not engaged properly, the carriage may jump up suddenly and cause personal injury.

## WIRELESS ACTIVATION FUNCTION

### What you can do with the wireless activation function

The wireless activation function enables clean and comfortable operation. By connecting a supported vacuum cleaner to the tool, you can run the vacuum cleaner automatically along with the switch operation of the tool.

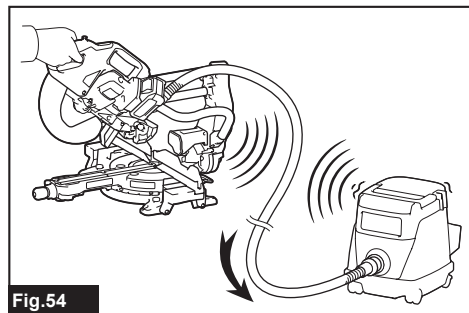


Fig.54

To use the wireless activation function, prepare following items:

- A wireless unit (optional accessory)
- A vacuum cleaner which supports the wireless activation function

The overview of the wireless activation function setting is as follows. Refer to each section for detail procedures.

1. Installing the wireless unit
2. Tool registration for the vacuum cleaner
3. Starting the wireless activation function

## Installing the wireless unit

### Optional accessory

**⚠CAUTION:** Place the tool on a flat and stable surface when installing the wireless unit.

**NOTICE:** Clean the dust and dirt on the tool before installing the wireless unit. Dust or dirt may cause malfunction if it comes into the slot of the wireless unit.

**NOTICE:** To prevent the malfunction caused by static, touch a static discharging material, such as a metal part of the tool, before picking up the wireless unit.

**NOTICE:** When installing the wireless unit, always be sure that the wireless unit is inserted in the correct direction and the lid is completely closed.

1. Open the lid on the tool as shown in the figure.

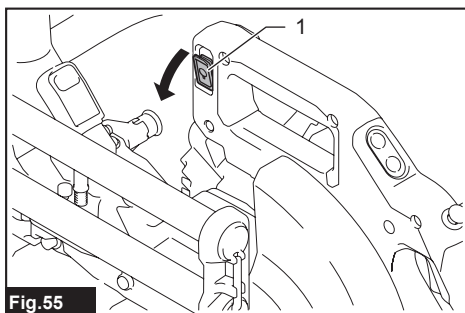


Fig.55

- ▶ 1. Lid

2. Insert the wireless unit to the slot and then close the lid.

When inserting the wireless unit, align the projections with the recessed portions on the slot.

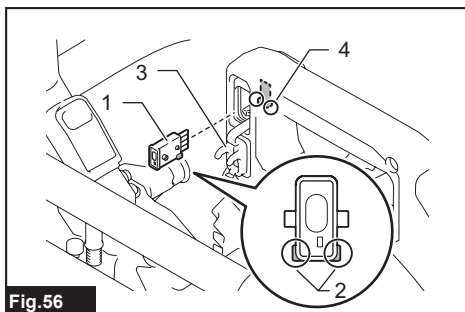


Fig.56

- ▶ 1. Wireless unit 2. Projection 3. Lid 4. Recessed portion

When removing the wireless unit, open the lid slowly. The hooks on the back of the lid will lift the wireless unit as you pull up the lid.

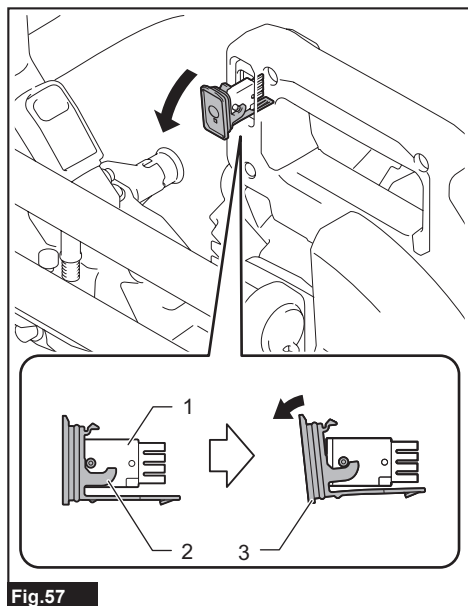


Fig.57

► 1. Wireless unit 2. Hook 3. Lid

After removing the wireless unit, keep it in the supplied case or a static-free container.

**NOTICE:** Always use the hooks on the back of the lid when removing the wireless unit. If the hooks do not catch the wireless unit, close the lid completely and open it slowly again.

## Tool registration for the vacuum cleaner

**NOTE:** A Makita vacuum cleaner supporting the wireless activation function is required for the tool registration.

**NOTE:** Finish installing the wireless unit to the tool before starting the tool registration.

**NOTE:** Avoid turning the following switches on during tool registration:

- switch trigger on the tool
- vacuum switch on the tool
- power switch on the vacuum cleaner

**NOTE:** Refer to the instruction manual of the vacuum cleaner, too.

If you wish to activate the vacuum cleaner along with the switch operation of the tool, finish the tool registration beforehand.

1. Install the batteries to the vacuum cleaner and the tool.

2. Set the stand-by switch on the vacuum cleaner to "AUTO".

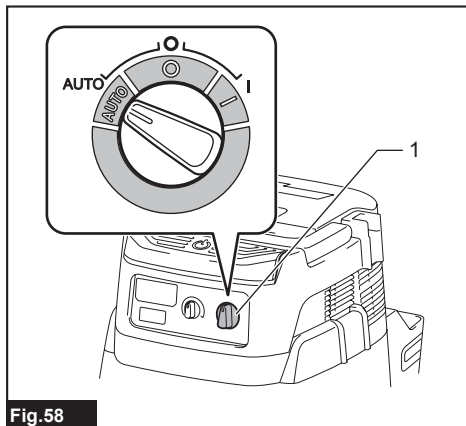


Fig.58

► 1. Stand-by switch

3. Press the wireless activation button on the vacuum cleaner for 3 seconds until the wireless activation lamp blinks in green. And then press the wireless activation button on the tool in the same way.

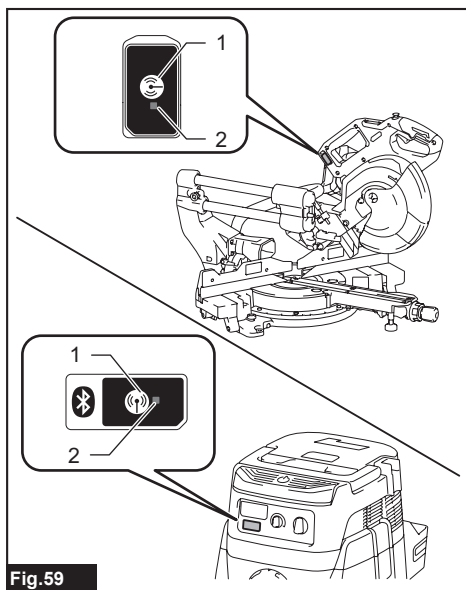


Fig.59

► 1. Wireless activation button 2. Wireless activation lamp

If the vacuum cleaner and the tool are linked successfully, the wireless activation lamps will light up in green for 2 seconds and start blinking in blue.



**NOTE:** The wireless activation lamps finish blinking in green after 20 seconds elapsed. Press the wireless activation button on the tool while the wireless activation lamp on the cleaner is blinking. If the wireless activation lamp does not blink in green, push the wireless activation button briefly and hold it down again.

**NOTE:** When performing two or more tool registrations for one vacuum cleaner, finish the tool registration one by one.

## Starting the wireless activation function

**NOTE:** Finish the tool registration for the vacuum cleaner prior to the wireless activation.

**NOTE:** Refer to the instruction manual of the vacuum cleaner, too.

After registering a tool to the vacuum cleaner, the vacuum cleaner will automatically runs along with the switch operation of the tool. Pull the switch trigger on the tool to function the vacuum cleaner during operation. The vacuum cleaner also starts to function by pressing the vacuum button on the tool out of any cutting operation.

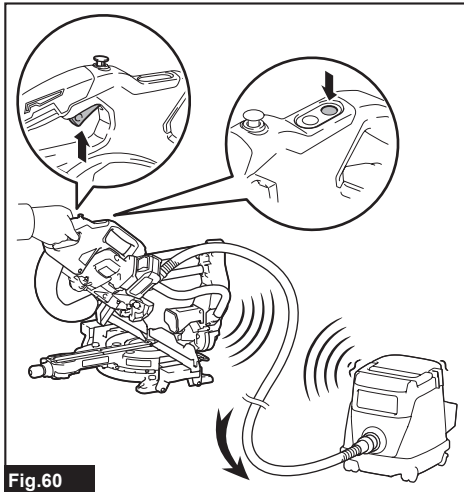


Fig.60

1. Install the wireless unit to the tool.
2. Connect the hose of the vacuum cleaner with the tool.

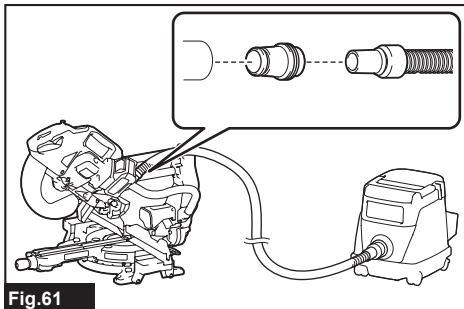


Fig.61

3. Set the stand-by switch on the vacuum cleaner to "AUTO".

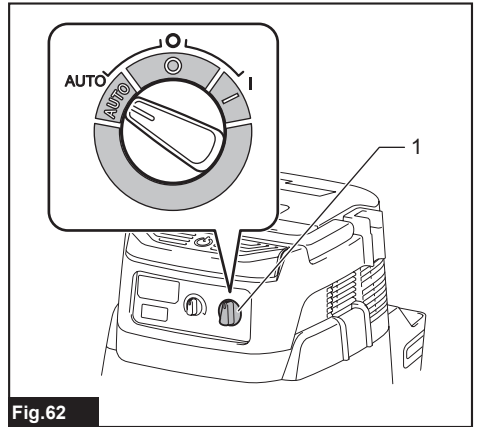


Fig.62

- ▶ 1. Stand-by switch

4. Push the wireless activation button on the tool briefly. The wireless activation lamp will blink in blue.

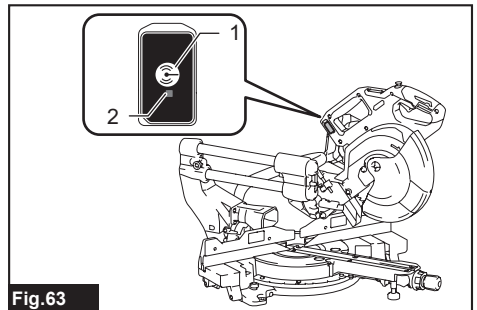


Fig.63

- ▶ 1. Wireless activation button 2. Wireless activation lamp

5. Pull the switch trigger of the tool. Check if the vacuum cleaner runs while the switch trigger is being pulled.
6. Press the vacuum button to function the vacuum cleaner. Check if the wireless activation lamp lights up in blue and the cleaner keeps running until you press the button again.
7. To cease vacuum operation, either release the switch trigger or press the vacuum button again. The vacuum cleaner stops running a few seconds after the switch operation, and then the lamp turns to blink in blue.

**NOTE:** Switch status (turning the cleaner on/off) can be learned in the wireless activation lamp. For details, refer to the section for description of the wireless activation lamp status.

8. To stop the wireless activation of the vacuum cleaner, push the wireless activation button on the tool.

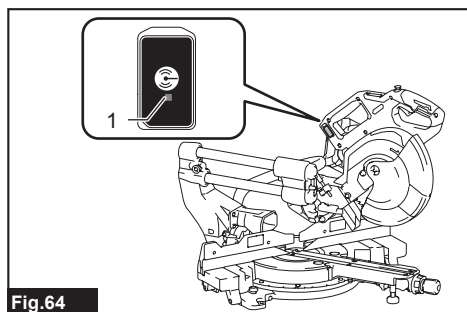
**NOTE:** The wireless activation lamp on the tool will stop blinking in blue when there is no operation for 2 hours. In this case, set the stand-by switch on the vacuum cleaner to "AUTO" and push the wireless activation button on the tool again.

**NOTE:** The vacuum cleaner starts/stops with a delay. There is a time lag when the vacuum cleaner detects a switch operation of the tool.

**NOTE:** The transmission distance of the wireless unit may vary depending on the location and surrounding circumstances.

**NOTE:** When two or more tools are registered to one vacuum cleaner, the vacuum cleaner may start running even if you do not pull the switch trigger or turn on the vacuum button because another user is using the wireless activation function.

## Description of the wireless activation lamp status



**Fig.64**

► 1. Wireless activation lamp

The wireless activation lamp shows the status of the wireless activation function. Refer to the table below for the meaning of the lamp status.

| Status                       | Wireless activation lamp |      |            |                           | Description  |
|------------------------------|--------------------------|------|------------|---------------------------|--|
|                              | Color                    | ■ On | ▣ Blinking | Duration                  |  |
| Standby                      | Blue                     | ▣    | ■          | 2 hours                   | The wireless activation of the vacuum cleaner is available. The lamp will automatically turn off when no operation is performed for 2 hours. |
|                              |                          | ■    | ▣          | When the tool is running. | The wireless activation of the vacuum cleaner is available and the tool is running.  |
| Tool registration            | Green                    | ▣    | ■          | 20 seconds                | Ready for the tool registration. Waiting for the registration by the vacuum cleaner.   |
|                              |                          | ■    | ▣          | 2 seconds                 | The tool registration has been finished. The wireless activation lamp will start blinking in blue.   |
| Cancelling tool registration | Red                      | ▣    | ■          | 20 seconds                | Ready for the cancellation of the tool registration. Waiting for the cancellation by the vacuum cleaner.                                     |
|                              |                          | ■    | ▣          | 2 seconds                 | The cancellation of the tool registration has been finished. The wireless activation lamp will start blinking in blue.                       |
| Others                       | Red                      | ■    | -          | 3 seconds                 | The power is supplied to the wireless unit and the wireless activation function is starting up.  |
|                              | Off                      | -    | -          | -                         | The wireless activation of the vacuum cleaner is stopped.  |

## Cancelling tool registration for the vacuum cleaner

Perform the following procedure when cancelling the tool registration for the vacuum cleaner.

1. Install the batteries to the vacuum cleaner and the tool.
2. Set the stand-by switch on the vacuum cleaner to "AUTO".

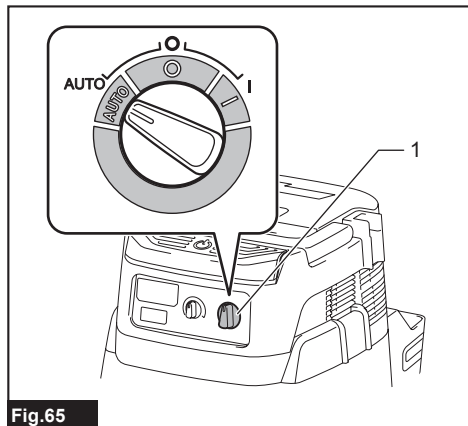


Fig.65

- 1. Stand-by switch

3. Press the wireless activation button on the vacuum cleaner for 6 seconds. The wireless activation lamp blinks in green and then become red. After that, press the wireless activation button on the tool in the same way.

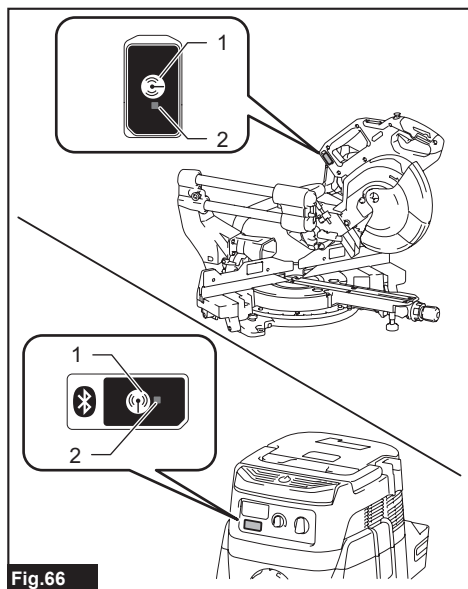


Fig.66

- 1. Wireless activation button 2. Wireless activation lamp

If the cancellation is performed successfully, the wireless activation lamps will light up in red for 2 seconds and start blinking in blue.

**NOTE:** The wireless activation lamps finish blinking in red after 20 seconds elapsed. Press the wireless activation button on the tool while the wireless activation lamp on the cleaner is blinking. If the wireless activation lamp does not blink in red, push the wireless activation button briefly and hold it down again.

## Troubleshooting for wireless activation function

Before asking for repairs, conduct your own inspection first. If you find a problem that is not explained in the manual, do not attempt to dismantle the tool. Instead, ask Makita Authorized Service Centers, always using Makita replacement parts for repairs.

| State of abnormality  | Probable cause (malfunction)  | Remedy  |
|---|---|---|
| The wireless activation lamp does not light/blink.                                    | The wireless unit is not installed into the tool.<br>The wireless unit is improperly installed into the tool.   | Install the wireless unit correctly.  |
|   | The terminal of the wireless unit and/or the slot is dirty.   | Gently wipe off dust and dirt on the terminal of the wireless unit and clean the slot.  |
|   | The wireless activation button on the tool has not been pushed.   | Push the wireless activation button on the tool briefly.  |
|   | The stand-by switch on the vacuum cleaner is not set to "AUTO".   | Set the stand-by switch on the vacuum cleaner to "AUTO".  |
|   | No power supply   | Supply the power to the tool and the vacuum cleaner.  |
| Cannot finish tool registration / cancelling tool registration successfully.          | The wireless unit is not installed into the tool.<br>The wireless unit is improperly installed into the tool.   | Install the wireless unit correctly.  |
|   | The terminal of the wireless unit and/or the slot is dirty.   | Gently wipe off dust and dirt on the terminal of the wireless unit and clean the slot.  |
|   | The stand-by switch on the vacuum cleaner is not set to "AUTO".   | Set the stand-by switch on the vacuum cleaner to "AUTO".  |
|   | No power supply   | Supply the power to the tool and the vacuum cleaner.  |
|   | Incorrect operation   | Push the wireless activation button briefly and perform the tool registration/cancellation procedures again.  |
|   | The tool and vacuum cleaner are away from each other (out of the transmission range).   | Get the tool and vacuum cleaner closer to each other. The maximum transmission distance is approximately 10 m however it may vary according to the circumstances. |
|   | Before finishing the tool registration/cancellation;<br>- the switch trigger on the tool is pulled or;<br>- the vacuuming button on the tool is turned on or;<br>- the power button on the vacuum cleaner is turned on. | Push the wireless activation button briefly and perform the tool registration/cancellation procedures again.  |
|   | The tool registration procedures for the tool or vacuum cleaner have not finished.  | Perform the tool registration procedures for both the tool and the vacuum cleaner at the same timing.   |
|   | Radio disturbance by other appliances which generate high-intensity radio waves.  | Keep the tool and vacuum cleaner away from the appliances such as Wi-Fi devices and microwave ovens.  |
|   | The vacuum cleaner does not run along with the switch operation of the tool.  | The wireless unit is not installed into the tool.<br>The wireless unit is improperly installed into the tool.   |
| The terminal of the wireless unit and/or the slot is dirty.                           |   | Gently wipe off dust and dirt on the terminal of the wireless unit and clean the slot.  |
| The wireless activation button on the tool has not been pushed.                       |   | Push the wireless activation button briefly and make sure that the wireless activation lamp is blinking in blue.  |
| The stand-by switch on the vacuum cleaner is not set to "AUTO".                       |   | Set the stand-by switch on the vacuum cleaner to "AUTO".  |
| More than 10 tools are registered to the vacuum cleaner.                              |   | Perform the tool registration again.<br>If more than 10 tools are registered to the vacuum cleaner, the tool registered earliest will be cancelled automatically. |
| The vacuum cleaner has failed to register tools successfully.                         |   | Renew tool registrations.   |
| The vacuum cleaner erased all tool registrations.                                     |   | Perform the tool registration again.  |
| No power supply   |   | Supply the power to the tool and the vacuum cleaner.  |
| The tool and vacuum cleaner are away from each other (out of the transmission range). |   | Get the tool and vacuum cleaner closer each other. The maximum transmission distance is approximately 10 m however it may vary according to the circumstances.    |
| Radio disturbance by other appliances which generate high-intensity radio waves.      |   | Keep the tool and vacuum cleaner away from the appliances such as Wi-Fi devices and microwave ovens.  |
| The vacuum cleaner runs while no switches for the tool are in operation.              | Other users are using the wireless activation of the vacuum cleaner with their tools.<br>Turn off the wireless activation button of the other tools or cancel the tool registration of the other tools.                 |   |

# MAINTENANCE

**⚠WARNING:** Always be sure that the tool is switched off and the battery cartridge is removed before attempting to perform inspection or maintenance. Failure to removing the battery cartridge and switch off the tool may result in accidental start up of the tool which may result in serious personal injury.

**⚠WARNING:** Always be sure that the circular saw blade is sharp and clean for the best and safest performance. Attempting a cut with a dull and /or dirty blade may cause kickback and result in a serious personal injury.

**NOTICE:** Never use gasoline, benzine, thinner, alcohol or the like. Discoloration, deformation or cracks may result.

To maintain product SAFETY and RELIABILITY, repairs, any other maintenance or adjustment should be performed by Makita Authorized or Factory Service Centers, always using Makita replacement parts.

## Adjusting the cutting angle

This tool is carefully adjusted and aligned at the factory, but rough handling may have affected the alignment. If your tool is not aligned properly, perform the following:

### Miter angle

Rotate the grip counterclockwise and have the base ready for the positive stop function using the releasing lever. Then, loosen the screws that secure the pointer and miter angle scale.

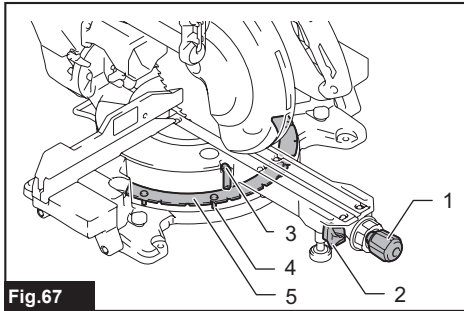


Fig.67

- ▶ 1. Grip 2. Releasing lever 3. Screw on pointer
- 4. Screws on miter angle scale 5. Miter angle scale

Set the turn base to the 0° position using the positive stop function. Square the side of the circular saw blade with the face of the guide fence using a triangular rule or try-square. While keeping the square, tighten the screws on the miter angle scale. After that, align the pointer with the 0° position in the miter angle scale and then tighten the screw on the pointer.

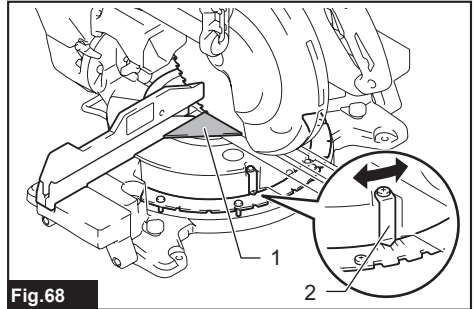


Fig.68

- ▶ 1. Triangular rule 2. Pointer

### Bevel angle

#### 0° bevel angle

Push the carriage toward the guide fences and lock the sliding movement with the stopper pin. Lower the carriage fully and lock it in the lowered position with the stopper pin. Rotate the grip dial counterclockwise, and then turn the 0° adjusting bolt through two or three revolutions counterclockwise to tilt the circular saw blade to the right.

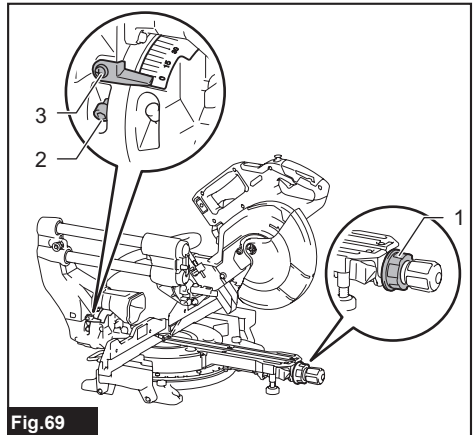
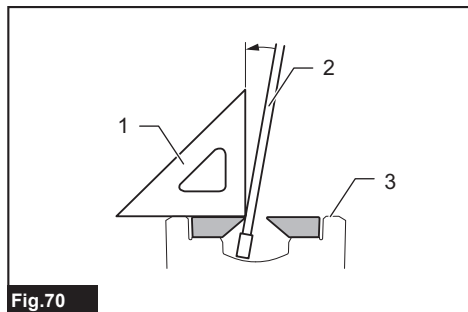


Fig.69

- ▶ 1. Grip dial 2. 0° Adjusting bolt 3. Screw on the pointer

Carefully square the side of the circular saw blade with the top surface of the turn base using the triangular rule, try-square, etc. by turning the 0° adjusting bolt clockwise. Then tighten the grip dial firmly to secure the 0° angle you have set.



**Fig.70**

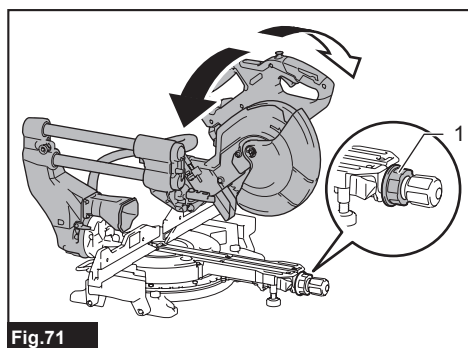
► 1. Triangular rule 2. Saw blade 3. Top surface of turn base

Check if the side of the circular saw blade squares with the top surface of the turn base once again. Loosen the screw on the pointer and then align the pointer with the 0° position in the bevel angle scale and then tighten the screw.

## 45° bevel angle

**NOTICE:** Before adjusting the 45° bevel angle, finish 0° bevel angle adjustment.

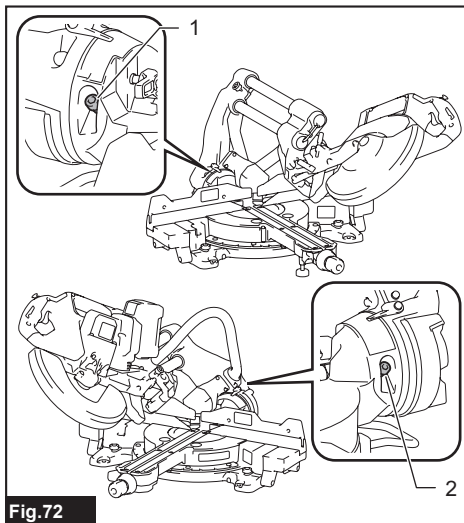
Loosen the grip dial and tilt the carriage fully to the side that you want to check. Check if the pointer indicates the 45° position in the bevel angle scale.



**Fig.71**

► 1. Grip dial

If the pointer does not indicate the 45° position, align it with the 45° position by turning the 45° adjusting bolt.



**Fig.72**

► 1. Right 45° adjusting bolt 2. Left 45° adjusting bolt

## Cleaning the lamp lens

**NOTICE:** Do not remove the screw which secures the lens. If the lens does not come out, loosen the screw further.

**NOTICE:** Use a dry cloth to wipe the dirt off the lens of the lamp. Be careful not to scratch the lens of lamp, or it may lower the illumination.

**NOTICE:** Do not use solvents or any petroleum-based cleaners on the lens.

The LED light becomes hard to see as the lens for the light gets dirty. Clean the lens at regular intervals. Remove the battery cartridge. Loosen the screw and pull out the lens. Clean the lens gently with a damp soft cloth.

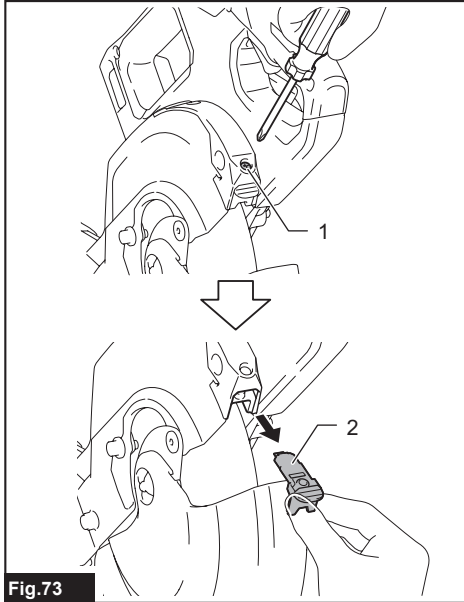


Fig.73

► 1. Screw 2. Lens

- Dust bag
- Triangular rule
- Hex wrench
- Wireless unit
- Stand sets
- Makita genuine battery and charger

**NOTE:** Some items in the list may be included in the tool package as standard accessories. They may differ from country to country.

## MAKITA LIMITED WARRANTY

Please refer to the annexed warranty sheet for the most current warranty terms applicable to this product. If annexed warranty sheet is not available, refer to the warranty details set forth at below website for your respective country.

United States of America: [www.makitatools.com](http://www.makitatools.com)

Canada: [www.makita.ca](http://www.makita.ca)

Other countries: [www.makita.com](http://www.makita.com)

## After use

After use, wipe off chips and dust adhering to the tool with a cloth or the like. Keep the blade guard clean according to the directions in the previously mentioned in the section for the blade guard. Lubricate the sliding portions with machine oil to prevent rust.

## OPTIONAL ACCESSORIES

**⚠WARNING:** These Makita accessories or attachments are recommended for use with your Makita tool specified in this manual. The use of any other accessories or attachments may result in serious personal injury.

**⚠WARNING:** Only use the Makita accessory or attachment for its stated purpose. Misuse of an accessory or attachment may result in serious personal injury.

If you need any assistance for more details regarding these accessories, ask your local Makita Service Center.

- Carbide-tipped saw blades
- Vertical vise
- Horizontal vise

## SPÉCIFICATIONS

|   |  |
|---|--|
| <b>Modèle :</b>                                   | <b>LS002G</b>                                      |
| Diamètre de la lame                               | 216 mm (8-1/2")                                    |
| Diamètre d'orifice (alésage) (spécifique au pays) | 15,88 mm (5/8")                                    |
| Épaisseur max. de découpe de la lame de scie      | 2,4 mm (3/32")                                     |
| Angle d'onglet max.                               | 60° à gauche, 60° à droite                         |
| Angle de biseau max.                              | 48° à gauche, 48° à droite                         |
| Vitesse à vite                                    | 4 800 /min   |
| Dimensions (L x P x H)                            | 702 mm x 551 mm x 557 mm (27-5/8" x 21-3/4" x 22") |
| Tension nominale                                  | C.C. 36 V - 40 V max.                              |
| Poids net   | 16,4 - 17,0 kg (36,2 - 37,5 lbs)                   |

- Étant donné l'évolution constante de notre programme de recherche et développement, les spécifications contenues dans ce manuel sont sujettes à modification sans préavis.
- Les spécifications peuvent varier suivant les pays.
- Le poids peut varier selon les accessoires, y compris la batterie. La plus légère et la plus lourde combinaisons, selon la procédure EPTA 01/2014, sont indiquées dans le tableau.

### Capacités de coupe (H x P) avec une lame de 216 mm (8-1/2") de diamètre

| Angle de coupe d'onglet | Angle de coupe en biseau         |                                      |                                       |
|-------------------------|----------------------------------|--------------------------------------|---------------------------------------|
|                         | 45° (gauche)                     | 0°                                   | 45° (droite)                          |
| 0°                      | 50 mm x 312 mm<br>(2" x 12-1/4") | 70 mm x 312 mm<br>(2-3/4" x 12-1/4") | 30 mm x 312 mm<br>(1-3/16" x 12-1/4") |
| 45° (gauche et droite)  | 50 mm x 220 mm<br>(2" x 8-5/8")  | 70 mm x 220 mm<br>(2-3/4" x 8-5/8")  | 30 mm x 220 mm<br>(1-3/16" x 8-5/8")  |
| 60° (gauche et droite)  | –                                | 70 mm x 155 mm<br>(2-3/4" x 6-1/8")  | –                                     |

## Batteries et chargeurs applicables

|          |   |
|----------|---|
| Batterie | BL4020 / BL4025* / BL4040* / BL4050F*<br>* : Batterie recommandée |
| Chargeur | DC40RA / DC40RB / DC40RC  |

- Suivant la région où vous habitez, il se peut que certaines des batteries et certains des chargeurs énumérés ci-dessus ne soient pas disponibles.

**⚠ MISE EN GARDE : Utilisez exclusivement les batteries et chargeurs énumérés ci-dessus. L'utilisation de toute autre batterie ou tout autre chargeur peut entraîner une blessure et/ou un incendie.**

## CONSIGNES DE SÉCURITÉ

### Consignes de sécurité générales pour outils électriques

**⚠ MISE EN GARDE :** Lisez toutes les mises en garde, instructions, illustrations et spécifications qui accompagnent cet outil électrique. Il y a risque de décharge électrique, d'incendie et/ou de blessure grave si les instructions ci-dessous ne sont pas toutes respectées.

### Conservez toutes les mises en garde et instructions pour référence future.

Le terme « outil électrique » qui figure dans les avertissements fait référence à un outil électrique branché sur une prise de courant (par un cordon d'alimentation) ou alimenté par batterie (sans fil).

#### Sécurité de la zone de travail

1. **Maintenez la zone de travail propre et bien éclairée.** Les zones de travail encombrées ou sombres ouvrent grande la porte aux accidents.



2. **N'utilisez pas les outils électriques dans les atmosphères explosives, par exemple en présence de liquides, gaz ou poussières inflammables.** Les outils électriques produisent des étincelles au contact desquelles la poussière ou les vapeurs peuvent s'enflammer.
3. **Assurez-vous qu'aucun enfant ou curieux ne s'approche pendant que vous utilisez un outil électrique.** Vous risquez de perdre la maîtrise de l'outil si votre attention est détournée.
3. **Évitez les démarrages accidentels. Assurez-vous que l'interrupteur est en position d'arrêt avant de brancher l'outil à la prise de courant et/ou au bloc-piles, et avant de prendre ou de transporter l'outil.** Vous ouvrez la porte aux accidents si vous transportez les outils électriques avec le doigt sur l'interrupteur ou si vous les branchez alors que l'interrupteur est en position de marche.

#### Sécurité en matière d'électricité

1. **Les fiches d'outil électrique sont conçues pour s'adapter parfaitement aux prises de courant. Ne modifiez jamais la fiche de quelque façon que ce soit. N'utilisez aucun adaptateur de fiche sur les outils électriques avec mise à la terre.** En ne modifiant pas les fiches et en les insérant dans des prises de courant pour lesquelles elles ont été conçues, vous réduirez les risques de choc électrique.
2. **Évitez tout contact corporel avec les surfaces mises à la terre, telles que tuyaux, radiateurs, cuisinières et réfrigérateurs.** Le risque de choc électrique est plus élevé si votre corps se trouve mis à la terre.
3. **N'exposez pas les outils électriques à la pluie ou à l'eau.** La présence d'eau dans un outil électrique augmente le risque de choc électrique.
4. **Ne maltraitez pas le cordon. N'utilisez jamais le cordon pour transporter, tirer ou débrancher l'outil électrique. Maintenez le cordon à l'écart des sources de chaleur, de l'huile, des objets à bords tranchants et des pièces en mouvement.** Le risque de choc électrique est plus élevé lorsque les cordons sont endommagés ou enchevêtrés.
5. **Lorsque vous utilisez un outil électrique à l'extérieur, utilisez un cordon prolongateur conçu pour l'usage extérieur.** Les risques de choc électrique est moindre lorsqu'un cordon conçu pour l'usage extérieur est utilisé.
6. **Si vous devez utiliser un outil électrique dans un endroit humide, utilisez une source d'alimentation protégée par un disjoncteur de fuite à la terre.** L'utilisation d'un disjoncteur de fuite à la terre réduit le risque de choc électrique.
7. **Les outils électriques peuvent produire des champs électromagnétiques (CEM) qui ne sont pas préjudiciables à l'utilisateur.** Les utilisateurs de stimulateur cardiaque ou autres appareils médicaux similaires doivent toutefois demander conseil au fabricant et/ou à leur médecin avant d'utiliser cet outil électrique.
4. **Retirez toute clé de réglage ou de serrage avant de mettre l'outil électrique sous tension.** Toute clé laissée en place sur une pièce rotative de l'outil électrique peut entraîner une blessure.
5. **Ne vous étirez pas exagérément. Assurez-vous d'une bonne prise au sol et d'un bon équilibre en tout temps.** Cela vous permettra d'avoir une meilleure maîtrise de l'outil électrique dans les situations imprévues.
6. **Portez des vêtements adéquats. Ne portez ni vêtements amples ni bijoux. Gardez vos cheveux, vêtements et gants à l'écart des pièces en mouvement.** Les vêtements amples, bijoux ou cheveux longs peuvent être happés par les pièces en mouvement.
7. **Si des accessoires sont fournis pour raccorder un appareil d'aspiration et de collecte de la poussière, assurez-vous qu'ils sont correctement raccordés et qu'ils sont utilisés de manière adéquate.** L'utilisation d'un appareil de collecte permet de réduire les risques liés à la présence de poussière dans l'air.
8. **Évitez d'être complaisant et d'ignorer les principes de sécurité de l'outil en raison de la familiarité acquise par un usage fréquent des outils.** Un geste imprudent peut entraîner une grave blessure en une fraction de seconde.
9. **Portez toujours des lunettes à coques de protection pour protéger vos yeux contre les blessures lors de l'utilisation d'outils électriques. Les lunettes à coques doivent être conformes à ANSI Z87.1 aux États-Unis.** L'employeur a la responsabilité d'imposer l'utilisation d'équipements de protection de sécurité adéquats aux utilisateurs des outils électriques et à toute autre personne se trouvant dans la zone de travail immédiate.

#### Utilisation et entretien des outils électriques

1. **Ne forcez pas l'outil électrique. Utilisez l'outil électrique adéquat suivant le type de travail à effectuer.** Si vous utilisez l'outil électrique adéquat et respectez le régime pour lequel il a été conçu, il effectuera un travail de meilleure qualité et plus sécuritaire.
2. **N'utilisez pas l'outil électrique s'il n'est pas possible de l'allumer et de l'éteindre avec son interrupteur.** Un outil électrique dont l'interrupteur est défectueux représente un danger et doit être réparé.
3. **Avant d'effectuer tout réglage, de remplacer un accessoire ou de ranger l'outil électrique, débranchez la fiche de la source d'alimentation et/ou retirez la batterie de l'outil électrique si elle est amovible.** Ces mesures préventives de sécurité réduisent les risques de démarrage accidentel de l'outil électrique.

#### Sécurité personnelle

1. **Restez alerte, attentif à vos mouvements et faites preuve de bon sens lorsque vous utilisez un outil électrique. N'utilisez pas les outils électriques si vous êtes fatigué ou avez pris une drogue, de l'alcool ou un médicament.** Un moment d'inattention pendant l'utilisation d'un outil électrique peut entraîner une grave blessure.
2. **Portez des dispositifs de protection personnelle. Portez toujours une protection oculaire.** Les risques de blessure seront moins élevés si vous utilisez des dispositifs de protection tels qu'un masque anti-poussière, des chaussures à semelle antidérapante, une coiffure résistante ou une protection d'oreilles.

4. **Après l'utilisation d'un outil électrique, rangez-le hors de portée des enfants et ne laissez aucune personne l'utiliser si elle n'est pas familiarisée avec l'outil électrique ou les présentes instructions d'utilisation.** Les outils électriques représentent un danger entre les mains de personnes qui n'en connaissent pas le mode d'utilisation.
5. **Effectuez l'entretien des outils électriques et des accessoires. Assurez-vous que les pièces mobiles ne sont pas désalignées ou coincées, qu'aucune pièce n'est cassée et que l'outil électrique n'a subi aucun dommage affectant son bon fonctionnement. Le cas échéant, faites réparer l'outil électrique avant de l'utiliser.** De nombreux accidents sont causés par des outils électriques mal entretenus.
6. **Maintenez les outils tranchants bien aiguisés et propres.** Un outil tranchant dont l'entretien est effectué correctement et dont les bords sont bien aiguisés risquera moins de se coincer et sera plus facile à maîtriser.
7. **Utilisez l'outil électrique, ses accessoires, ses embouts, etc., en respectant les présentes instructions, en tenant compte des conditions de travail et du type de travail à effectuer.** L'utilisation d'un outil électrique pour d'autres usages que ceux prévus peut entraîner une situation dangereuse.
8. **Gardez les poignées et surfaces de saisie sèches, propres et exemptes d'huile et de graisse.** Les poignées et surfaces de saisie glissantes ne permettent pas une manipulation sûre et une bonne maîtrise de l'outil dans les situations inattendues.
9. **Lors de l'utilisation de l'outil, ne portez pas de gants de travail en tissu qui risquent de s'enchevêtrer dans l'outil.** L'enchevêtrement de gants de travail en tissu dans les pièces en mouvement peut entraîner une blessure.

#### Utilisation et entretien des outils alimentés par batterie

1. **Pour recharger, utilisez uniquement le chargeur spécifié par le fabricant.** L'utilisation d'un chargeur conçu pour un type donné de bloc-piles comporte un risque d'incendie lorsqu'il est utilisé avec un autre type de bloc-piles.
2. **N'utilisez un outil électrique qu'avec le bloc-piles conçu spécifiquement pour cet outil.** Il y a un risque de blessure ou d'incendie si un autre bloc-piles est utilisé.
3. **Lorsque vous n'utilisez pas le bloc-piles, rangez-le à l'écart des objets métalliques tels que trombones, pièces de monnaie, clés, clous, vis ou autres petits objets métalliques qui risqueraient d'établir une connexion entre les bornes.** La mise en court-circuit des bornes de batterie peut causer des brûlures ou un incendie.
4. **Dans des conditions d'utilisation inadéquates de la batterie, il peut y avoir fuite d'électrolyte; évitez tout contact avec ce liquide. En cas de contact accidentel, rincez avec beaucoup d'eau. Si le liquide pénètre dans vos yeux, il faut aussi consulter un médecin.** L'électrolyte qui s'échappe de la batterie peut causer des irritations ou des brûlures.

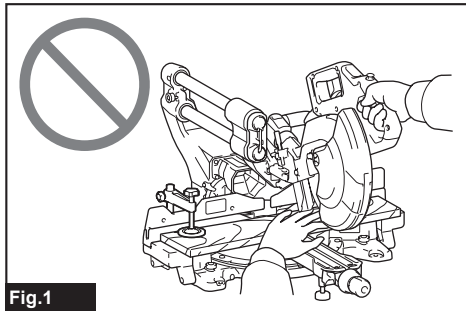
#### Réparation

1. **Faites réparer votre outil électrique par un réparateur qualifié qui utilise des pièces de rechange identiques aux pièces d'origine.** Le maintien de la sûreté de l'outil électrique sera ainsi assuré.
2. **N'essayez jamais de réparer les batteries endommagées.** La réparation des batteries ne doit être effectuée que par le fabricant ou par un fournisseur de service après-vente agréé.
3. **Suivez les instructions de lubrification et de remplacement des accessoires.**
4. **Ne modifiez pas ou n'essayez pas de réparer l'appareil ou la batterie autrement que tel qu'indiqué dans les instructions d'utilisation et d'entretien.**

### Consignes de sécurité pour scies à coupe d'onglet

1. **Les scies à coupe d'onglet sont conçues pour couper le bois ou les produits dérivés du bois. Elles ne peuvent pas être utilisées avec les meules tronçonneuses abrasives pour couper les matériaux ferreux comme les barres, tiges, goujons, etc.** La poussière abrasive bloque les pièces mobiles telles que le protecteur inférieur. Les étincelles provoquées par la coupe abrasive brûleront le protecteur inférieur, la fente de découpe et autres pièces en plastique.
2. **Utilisez des dispositifs de serrage pour soutenir la pièce à travailler chaque fois que cela est possible. Si vous soutenez la pièce d'une main, vous devez toujours la garder à au moins 100 mm d'un côté comme de l'autre de la lame de scie. N'utilisez pas cette scie pour couper des pièces trop petites pour être fermement fixées ou tenues dans la main.** Si votre main se trouve trop près de la lame de scie, il y aura un risque accru de blessure au contact de la lame.
3. **La pièce à travailler doit être immobile et fixée ou retenue contre le garde et la table. Ne faites pas avancer la pièce à travailler vers la lame, et n'effectuez d'aucune façon la coupe « à main levée ».** Les pièces non retenues ou qui bougent peuvent être éjectées à grande vitesse et causer une blessure.

4. **Poussez la scie vers la pièce à travailler. Ne tirez pas la scie à travers la pièce à travailler. Pour faire une coupe, soulevez la tête de scie et maintenez-la au-dessus de la pièce à travailler, sans couper, démarrez le moteur, abaissez la tête de scie et poussez la scie à travers la pièce à travailler.** Si vous coupez en tirant vers vous, il est fort probable que la lame de scie remonte sur la pièce et que l'ensemble de lame soit violemment éjecté vers vous.
5. **Ne mettez jamais la main à travers la ligne de coupe prévue, aussi bien devant que derrière la lame de scie.** Il est très dangereux de tenir la pièce à travailler en « croisant les mains », c'est-à-dire en tenant la pièce du côté droit de la lame de scie avec la main gauche, ou vice-versa.



**Fig.1**

6. **Pendant que la lame tourne, ne tendez pas la main derrière le garde à moins de 100 mm d'un côté ou de l'autre de la lame de scie pour enlever des copeaux de bois ou pour toute autre raison.** La lame de scie en rotation peut être plus près qu'elle ne semble de votre main et vous risquez de vous blesser gravement.
7. **Inspectez votre pièce à travailler avant de la couper. Si la pièce à travailler est courbée ou gauchie, serrez-la en plaçant la face extérieure de la courbe du côté du garde. Assurez-vous toujours qu'il n'y a pas de jeu entre la pièce à travailler, le garde et la table le long de la ligne de coupe.** En se tordant ou en se déplaçant, les pièces à travailler pliées ou courbées peuvent emprisonner la lame de scie en rotation pendant la coupe. Il ne doit pas y avoir de clous ou de corps étrangers dans la pièce à travailler.
8. **N'utilisez la scie qu'après avoir tout enlevé sur la table - outils, copeaux de bois, etc. -, à l'exception de la pièce à travailler.** Au contact de la lame en rotation, les petits débris, copeaux de bois détachés ou autres objets peuvent être éjectés à grande vitesse.
9. **Ne coupez qu'une seule pièce à la fois.** Empilées, les pièces ne peuvent être adéquatement serrées ou renforcées, et elles peuvent emprisonner la lame ou se déplacer pendant la coupe.
10. **Avant d'utiliser la scie à coupe d'onglet, assurez-vous qu'elle est montée ou placée sur une surface de travail plane et ferme.** Une surface de travail plane et ferme réduit le risque que la scie à coupe d'onglet devienne instable.
11. **Planifiez votre travail. Chaque fois que vous modifiez le réglage d'angle de biseau ou d'onglet, assurez-vous que le garde ajustable est bien placé pour soutenir la pièce à travailler et qu'il ne gênera pas ni lame ni le dispositif de protection.** Sans allumer l'outil et sans pièce à travailler sur la table, simulez une coupe complète en déplaçant la lame de scie pour vous assurer que rien ne gênera la coupe et qu'il n'y a aucun risque de couper le garde.
12. **Si la pièce à travailler est plus large ou plus longue que le dessus de la table, soutenez-la adéquatement avec une rallonge de table, des chevalets de sciage, etc.** Les pièces plus longues ou plus larges que la table de scie à coupe d'onglet peuvent basculer si elles ne sont pas fermement soutenues. En basculant, la pièce découpée de la pièce ou la pièce elle-même peut soulever le protecteur inférieur ou être éjectée par la lame en rotation.
13. **Ne demandez pas à une autre personne de remplir le rôle de la rallonge de table ou de fournir un soutien supplémentaire.** Avec un soutien instable, la pièce à travailler peut emprisonner la lame ou se déplacer pendant la coupe, et entraîner du même coup votre assistant ou vous-même vers la lame en rotation.
14. **La partie découpée de la pièce ne doit être d'aucune façon coincée ou pressée contre la lame de scie en rotation.** Si elle est retenue, par exemple à l'aide de butées longitudinales, la partie découpée de la pièce risque d'être coincée contre la lame et éjectée violemment.
15. **Utilisez toujours un dispositif de serrage ou une fixation conçu pour soutenir les tiges, tuyaux et autres objets ronds.** Les tiges ont tendance à rouler pendant la coupe, ce qui fait « mordre » la lame et attire la pièce, avec votre main, vers la lame.
16. **Laissez la lame atteindre sa pleine vitesse avant de la mettre en contact avec la pièce à travailler.** Cela réduira le risque d'éjection de la pièce à travailler.
17. **Si la pièce à travailler ou la lame se coince, éteignez la scie à coupe d'onglet. Attendez l'arrêt de toutes les pièces en mouvement et débranchez la fiche de la source d'alimentation et/ou retirez la batterie. Retirez ensuite le matériel coincé.** Continuer de scier avec une pièce à travailler coincée peut causer une perte de maîtrise de la scie à coupe d'onglet ou l'endommager.
18. **Une fois la coupe terminée, relâchez l'interrupteur, maintenez la tête de la scie basse et attendez l'arrêt complet de la lame avant de retirer la partie découpée de la pièce.** Il est dangereux de tendre la main près de lame qui tourne.
19. **Tenez la poignée fermement lorsque vous interrompez une coupe avant la fin ou lorsque vous libérez l'interrupteur avant que la tête de scie ne soit complètement en position basse.** En attirant soudainement la tête de scie vers le bas, le freinage de la scie peut entraîner un risque de blessure.

20. **N'utilisez que la lame de scie dont le diamètre correspond aux indications données sur l'outil ou dans le manuel.** L'utilisation d'une lame d'une taille incorrecte peut affecter la protection de la lame ou le fonctionnement du protecteur, ce qui comporte un risque de grave blessure.
21. **Utilisez uniquement les lames de scie dont la vitesse indiquée est égale ou supérieure à la vitesse indiquée sur l'outil.**
22. **Choisissez toujours la lame de scie qui convient au matériau à couper.** N'utilisez pas la lame de scie pour couper des matériaux autres que ceux spécifiés.
23. **La scie peut couper le bois, l'aluminium ou des matériaux similaires lorsqu'une lame de scie adaptée au matériau est utilisée.** N'utilisez pas la scie pour couper d'autres matériaux, y compris le magnésium, l'acier et le fer.
11. **Lors de la réalisation d'une coupe en glissière, un risque de REBOND est possible.** Le REBOND se produit lorsque la lame se coince dans la pièce pendant la coupe et projette rapidement la lame de scie vers l'opérateur. La perte de contrôle et une grave blessure peuvent en résulter. Si la lame commence à se coincer pendant la coupe, ne continuez pas à couper et relâchez tout de suite l'interrupteur.
12. **Utilisez exclusivement les flasques spécifiés pour cet outil.**
13. **Prenez garde d'endommager l'alésage, les flasques (tout particulièrement leur surface d'installation) ou le boulon.** L'endommagement de ces pièces peut causer une cassure de la lame.
14. **Assurez-vous que le socle rotatif est bien immobilisé, de sorte qu'il ne bouge pas pendant l'opération.** Fixez la scie à une surface de travail ou à un établi stable au moyen des trous du socle. N'utilisez JAMAIS l'outil si vous vous trouvez dans une position qui n'assure pas une pleine liberté de mouvement.

#### Instructions additionnelles

1. **Usage prévu**  
L'outil est conçu pour l'exécution précise de la coupe rectiligne et de la coupe d'onglet dans le bois. Avec des lames de scie adéquates, il est aussi possible de scier l'aluminium.
2. **Faites en sorte que l'atelier soit sans danger pour les enfants en y posant des cadenas.**
3. **Ne vous appuyez jamais sur l'outil.** Vous courez un risque de blessure grave si l'outil bascule ou si vous touchez accidentellement l'outil tranchant.
4. **Ne laissez jamais sans surveillance un outil en marche.** Coupez le contact. Attendez que l'outil se soit complètement arrêté avant de le quitter.
5. **N'utilisez jamais la scie sans les protecteurs en place.** Assurez-vous avant chaque utilisation que le protège-lame se referme bien. N'utilisez pas la scie si le protège-lame ne se déplace pas librement et ne se referme pas instantanément. Ne fixez ou n'attachez jamais le protège-lame en position ouverte.
6. **Maintenez les mains hors de la ligne de coupe de la lame de scie.** Évitez tout contact avec la lame lorsqu'elle continue de tourner après la mise hors tension de l'outil. Elle peut alors quand même causer de graves blessures.
7. **Pour réduire les risques de blessure, ramenez le chariot complètement vers l'arrière après chaque opération de coupe en travers.**
8. **Fixez toujours les composants mobiles de l'outil avant de le transporter.**
9. **La broche de blocage qui verrouille en position basse la tête de coupe est conçue exclusivement pour le transport et le rangement de l'outil, et ne doit être utilisée pour aucun travail de coupe.**
10. **Avant l'utilisation, vérifiez toujours soigneusement l'absence de fissures ou de dommages sur la lame.** Veuillez remplacer immédiatement toute lame fissurée ou endommagée. La présence de résine et de goudron sur la lame ralentit la scie et entraîne une augmentation des risques de rebond. Pour nettoyer la lame, retirez-la d'abord de l'outil, puis utilisez un décapant, de l'eau chaude ou du kérosène pour retirer la résine et le goudron. N'utilisez jamais d'essence pour nettoyer la lame.
15. **Assurez-vous que le blocage de l'arbre est libéré avant de mettre l'outil sous tension.**
16. **Assurez-vous que la lame n'entre pas en contact avec le socle rotatif lorsqu'elle se trouve sur sa position la plus basse.**
17. **Tenez la poignée fermement.** N'oubliez pas que la scie se déplace légèrement vers le haut ou le bas au démarrage et à l'arrêt.
18. **Assurez-vous que la lame n'entre pas en contact avec la pièce avant de mettre l'outil sous tension.**
19. **Avant d'utiliser l'outil sur la pièce, laissez-le tourner à vide un instant.** Soyez attentif à toute vibration ou tout sautillerment pouvant indiquer que la lame n'est pas bien installée ou est mal équilibrée.
20. **Arrêtez immédiatement votre outil dès que vous observez quelque chose d'anormal.**
21. **N'essayez pas de verrouiller la gâchette en position de marche.**
22. **Utilisez toujours les accessoires recommandés dans le présent manuel.** L'utilisation d'accessoires inadéquats, tels que les meules abrasives par exemple, peut entraîner une blessure.
23. **Certains matériaux contiennent des produits chimiques qui peuvent être toxiques.** Prenez les précautions nécessaires pour éviter l'inhalation des poussières ou leur contact avec la peau. Conformez-vous aux consignes de sécurité du fournisseur du matériau.
24. **N'utilisez pas une source d'alimentation à cordon avec cet outil.**

Règles de sécurité supplémentaires pour la lampe allumée



1. Évitez de regarder directement le faisceau lumineux ou sa source.

## CONSERVEZ CE MODE D'EMPLOI.

**⚠ MISE EN GARDE : NE VOUS LAISSEZ PAS tromper (au fil d'une utilisation répétée) par un sentiment d'aisance ou de familiarité avec le produit en négligeant les consignes de sécurité qui accompagnent le produit. L'UTILISATION INCORRECTE ou l'ignorance des consignes de sécurité du présent manuel d'instructions comporte un risque de blessure grave.**

## Symboles

Les symboles utilisés pour l'outil sont indiqués ci-dessous.

|  |  |
|--|--|
| V  | volts  |
| —<br>—<br>—  | courant continu                                      |
| n <sub>e</sub>   | vitesse à vide                                       |
| ... /min<br>r /min   | tours ou alternances par minute                      |
| ∅  | diamètre   |
|  | Ne mettez pas la main ou les doigts près de la lame. |
|  | Ne regardez pas fixement la lampe allumée.           |

## Consignes de sécurité importantes pour la batterie

- Avant d'utiliser la batterie, lisez toutes les instructions et les mises en garde apposées sur (1) le chargeur de batterie, (2) la batterie et (3) le produit utilisant la batterie.
- Ne démontez pas et ne modifiez pas la batterie. Cela peut entraîner un incendie, une chaleur excessive ou une explosion.
- Cessez immédiatement l'utilisation si le temps de fonctionnement devient excessivement court. Il y a risque de surchauffe, de brûlures, voire d'explosion.
- Si l'électrolyte pénètre dans vos yeux, rincez-les à l'eau claire et consultez immédiatement un médecin. Il y a risque de perte de la vue.
- Ne court-circuitez pas la batterie :
  - Ne touchez les bornes avec aucun matériau conducteur.
  - Évitez de ranger la batterie dans un conteneur avec d'autres objets métalliques tels que clous, pièces de monnaie, etc.
  - Évitez d'exposer la batterie à l'eau ou à la pluie.

Un court-circuit de la batterie pourrait provoquer un fort courant, une surchauffe, parfois des brûlures et même une panne.

- Ne rangez pas et n'utilisez pas l'outil ou la batterie dans des emplacements où la température peut atteindre ou dépasser 50 °C (122 °F).
- Ne jetez pas la batterie au feu même si elle est sérieusement endommagée ou complètement épuisée. La batterie peut exploser au contact du feu.
- Évitez de clouer, de couper, d'écraser, de lancer ou d'échapper la batterie, ou de heurter un objet dur contre la batterie. Cela peut entraîner un incendie, une chaleur excessive ou une explosion.
- N'utilisez pas une batterie si elle est endommagée.
- Les batteries lithium-ion fournies sont soumises aux exigences de la législation sur les marchandises dangereuses.  
Des exigences particulières sur l'emballage et l'étiquetage doivent être respectées lors du transport commercial par des tiers, des transitaires, etc. Pour préparer la marchandise à expédier, consultez un expert en matériaux dangereux si nécessaire. Respectez aussi les éventuelles réglementations nationales plus détaillées.  
Recouvrez de ruban isolant les contacts exposés, et emballez la batterie de sorte qu'elle ne puisse pas se déplacer à l'intérieur de l'emballage.
- Lors de l'élimination de la batterie, retirez-la de l'outil et éliminez-la dans un endroit sûr. Respectez la réglementation locale concernant l'élimination de la batterie.
- N'utilisez les batteries qu'avec les produits spécifiés par Makita. Installer les batteries sur des produits non conformes peut entraîner un incendie, une chaleur excessive, une explosion ou une fuite d'électrolyte.
- Si l'outil reste inutilisé pour une période prolongée, la batterie doit en être retirée.
- Pendant et après l'utilisation, la batterie peut accumuler de la chaleur, ce qui peut causer des brûlures ou des brûlures à basse température. Faites attention lors de la manipulation des batteries chaudes.
- Ne touchez pas la borne de l'outil immédiatement après l'utilisation, car elle peut être assez chaude pour causer des brûlures.
- Ne laissez pas les copeaux, les poussières ou la terre se coincer dans les bornes, les trous et les rainures de la batterie. Cela pourrait causer un réchauffement, un incendie, un éclatement et une défaillance de l'outil ou de la batterie et entraîner des brûlures ou des blessures corporelles.
- À moins que l'outil ne soit compatible avec l'utilisation à proximité des lignes électriques haute tension, n'utilisez pas la batterie à proximité d'une ligne électrique haute tension. Cela peut entraîner un dysfonctionnement ou une panne de l'outil ou de la batterie.
- Gardez la batterie à l'écart des enfants.

**CONSERVEZ CES INSTRUCTIONS.**



**⚠ ATTENTION** : Utilisez exclusivement les batteries fabriquées par Makita. Les batteries autres que celles fabriquées par Makita ou les batteries modifiées peuvent exploser et causer un incendie, une blessure ou des dommages. Cela annule aussi la garantie Makita de l'outil et du chargeur Makita.

## Conseils pour maintenir la durée de service maximale de la batterie

1. Rechargez la batterie avant qu'elle ne soit complètement déchargée. Arrêtez toujours l'outil et rechargez la batterie quand vous remarquez que la puissance de l'outil diminue.
2. Ne rechargez jamais une batterie complètement chargée. La surcharge réduit la durée de service de la batterie.
3. Chargez la batterie à une température ambiante comprise entre 10 °C et 40 °C (50 °F et 104 °F). Si la batterie est chaude, laissez-la refroidir avant de la charger.
4. Lorsque vous n'utilisez pas la batterie, retirez-la de l'outil ou du chargeur.
5. Chargez la batterie si elle est restée inutilisée pendant une période prolongée (plus de six mois).

## Importantes consignes de sécurité pour l'unité sans fil

1. Évitez de démonter ou de modifier l'unité sans fil.
2. Gardez l'unité sans fil hors de la portée des jeunes enfants. En cas d'absorption accidentelle, consultez immédiatement un médecin.
3. N'utilisez l'unité sans fil qu'avec les outils Makita.
4. N'exposez pas l'unité sans fil à la pluie ou à des surfaces mouillées.
5. N'utilisez pas l'unité sans fil dans les emplacements où la température dépasse 50 °C (122 °F).
6. N'utilisez pas l'unité sans fil dans les emplacements où des instruments médicaux, tels que stimulateurs cardiaques, se trouvent à proximité.
7. N'utilisez pas l'unité sans fil dans les emplacements où des dispositifs automatiques se trouvent à proximité. L'utilisation peut provoquer des dysfonctionnements ou des erreurs sur les dispositifs automatiques.
8. N'utilisez pas l'unité sans fil dans un emplacement à température élevée ou un emplacement où de l'électricité statique ou du bruit électrique peuvent être générés.
9. L'unité sans fil peut générer des champs électromagnétiques (CEM), mais ils sont sans danger pour l'utilisateur.
10. L'unité sans fil est un instrument de précision. Évitez d'échapper ou de heurter l'unité sans fil.
11. Évitez de toucher la borne de l'unité sans fil à mains nues ou avec des objets métalliques.

12. Retirez toujours la batterie de l'outil avant d'y installer l'unité sans fil.
13. Lorsque vous ouvrez le couvercle de la fente, évitez de le faire dans un emplacement où la poussière et l'eau peuvent pénétrer dans la fente. Gardez toujours l'entrée de la fente propre.
14. Insérez toujours l'unité sans fil dans le bon sens.
15. N'appuyez pas trop fort sur le bouton d'activation sans fil de l'unité sans fil, et/ou n'appuyez pas sur le bouton avec un objet tranchant.
16. Pendant l'utilisation, fermez toujours le couvercle de la fente.
17. Ne retirez pas l'unité sans fil de la fente pendant que l'outil est alimenté en courant. Cela peut causer un dysfonctionnement de l'unité sans fil.
18. Ne retirez pas l'autocollant sur l'unité sans fil.
19. Ne mettez aucun autocollant sur l'unité sans fil.
20. Ne laissez pas l'unité sans fil dans un emplacement où de l'électricité statique ou du bruit électrique peuvent être générés.
21. Ne laissez pas l'unité sans fil dans un emplacement susceptible de chaleur intense, comme dans une voiture exposée au soleil.
22. Ne laissez pas l'unité sans fil dans un emplacement poussiéreux ou poudreux, ni dans un emplacement où des gaz corrosifs peuvent être générés.
23. Les variations soudaines de température peuvent humecter l'unité sans fil. N'utilisez l'unité sans fil qu'une fois qu'elle est bien sèche.
24. Pour nettoyer l'unité sans fil, essayez-la doucement avec un linge doux et sec. N'utilisez pas de benzine, diluant, graisse conductrice ou produit similaire.
25. Lorsque vous rangez l'unité sans fil, gardez-la dans le boîtier fourni ou dans un contenant antistatique.
26. N'insérez aucun autre dispositif que l'unité sans fil Makita dans la fente de l'outil.
27. N'utilisez pas l'outil si le couvercle de la fente est endommagé. La pénétration d'eau, de poussières ou de saletés dans la fente peut entraîner un dysfonctionnement.
28. Évitez de tirer et/ou tordre le couvercle de la fente plus que nécessaire. Remettez le couvercle en place s'il se détache de l'outil.
29. Remplacez le couvercle de la fente si vous l'égarez ou s'il est endommagé.

## CONSERVEZ CE MODE D'EMPLOI.

# DESCRIPTION DES PIÈCES

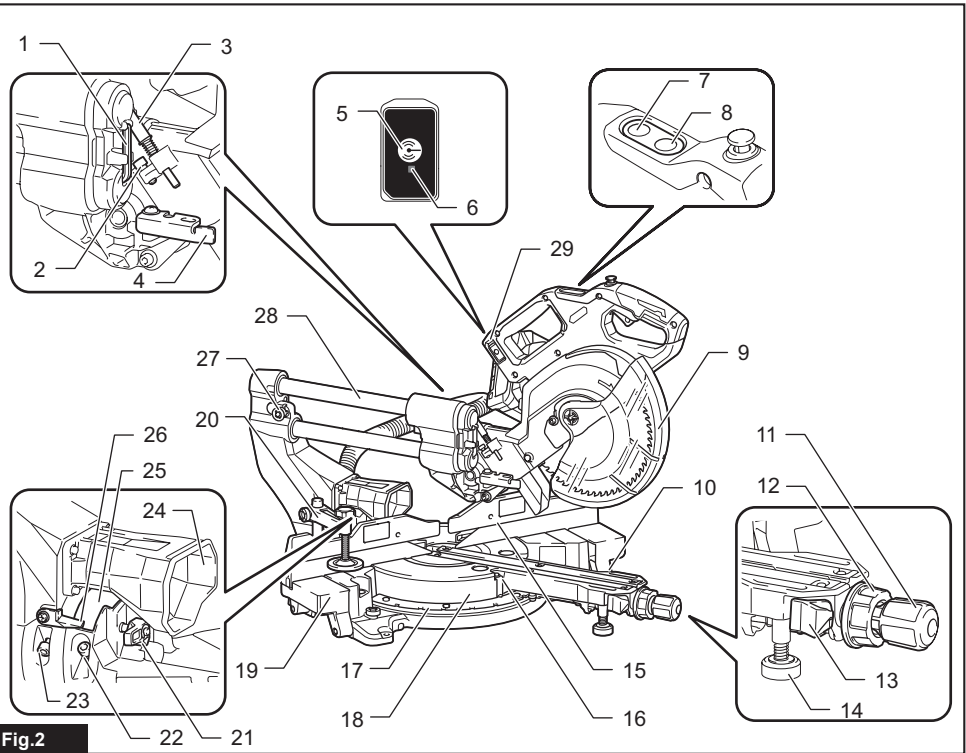


Fig.2

|    |  |    |   |    |  |    |  |
|----|--|----|---|----|--|----|--|
| 1  | Clé hexagonale   | 2  | Boulon de réglage (pour capacité de coupe maximale)                 | 3  | Vis de réglage (pour la position limite inférieure)  | 4  | Bras de blocage                                  |
| 5  | Bouton d'activation sans fil                                       | 6  | Témoin d'activation sans fil  | 7  | Bouton d'aspiration                                  | 8  | Bouton de lampe                                  |
| 9  | Protège-lame   | 10 | Plateau de découpe  | 11 | Manche (pour socle rotatif)                          | 12 | Cadran du manche (pour angle de coupe en biseau) |
| 13 | Levier de libération (pour socle rotatif)                          | 14 | Boulon de réglage (pour socle rotatif)                              | 15 | Gardes de guidage                                    | 16 | Pointeur (pour angle de coupe d'onglet)          |
| 17 | Échelle d'angle de coupe d'onglet                                  | 18 | Socle rotatif   | 19 | Sous-socle   | 20 | Étau vertical                                    |
| 21 | Levier de libération (pour angle de coupe en biseau du côté droit) | 22 | Boulon de réglage 45° (pour angle de coupe en biseau sur la droite) | 23 | Boulon de réglage 0° (pour angle de coupe en biseau) | 24 | Guide-poussières                                 |
| 25 | Échelle d'angle de coupe en biseau sur la droite                   | 26 | Pointeur (pour angle de coupe en biseau sur la droite)              | 27 | Broche de blocage (pour le glissement du chariot)    | 28 | Tige de glissement                               |
| 29 | Couvercle (pour unité sans fil)                                    | -  | -   | -  | -  | -  | -  |

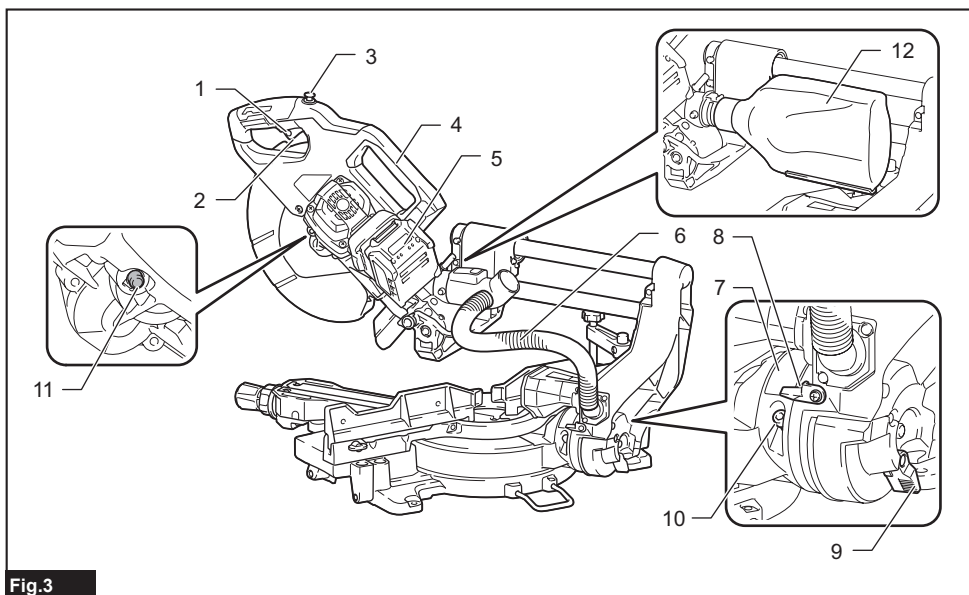


Fig.3

|   |  |    |   |    |  |    |  |
|---|--|----|---|----|--|----|--|
| 1 | Trou pour cadenas  | 2  | Gâchette  | 3  | Bouton de sécurité                               | 4  | Poignée de transport   |
| 5 | Batterie   | 6  | Tuyau d'aspiration des poussières                                   | 7  | Échelle d'angle de coupe en biseau sur la gauche | 8  | Pointeur (pour angle de coupe en biseau sur la gauche)                           |
| 9 | Levier de libération (pour angle de coupe en biseau 48°) | 10 | Boulon de réglage 45° (pour angle de coupe en biseau sur la gauche) | 11 | Blocage de l'arbre                               | 12 | Sac à poussières (lors du remplacement par le tuyau d'aspiration des poussières) |

## POSE

### Montage du banc

**⚠ MISE EN GARDE :** Assurez-vous que l'outil ne se déplace pas sur la surface de soutien. Les mouvements de la scie d'onglet sur la surface de soutien au cours de la coupe risquent de provoquer une perte de contrôle et une blessure grave.

1. Fixez le socle à une surface plane et stable, en l'y vissant avec les boulons. Cela aide à prévenir les risques de basculement et de blessure.

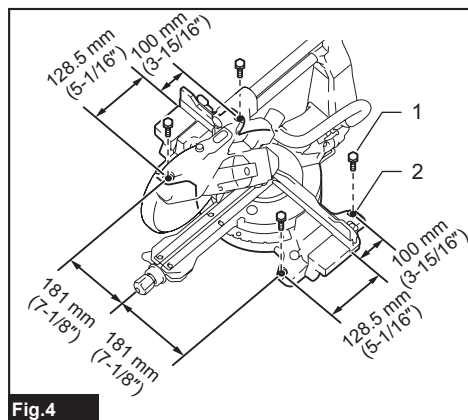


Fig.4

► 1. Boulon 2. Orifice de montage



2. Tournez le boulon de réglage vers la droite ou la gauche de sorte qu'il entre en contact avec la surface du plancher pour assurer la stabilité de l'outil.

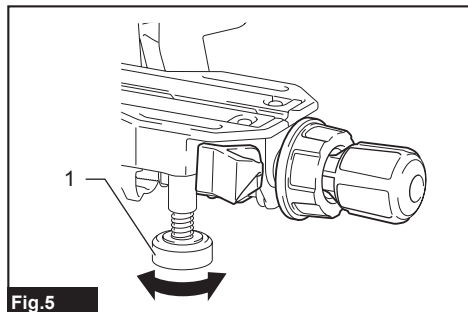


Fig. 5

► 1. Boulon de réglage

## Pose du tuyau d'aspiration des poussières

Raccordez le tuyau d'aspiration des poussières à l'outil tel qu'illustré.

Assurez-vous que le coude et le manchon s'adaptent parfaitement aux ports de l'outil.

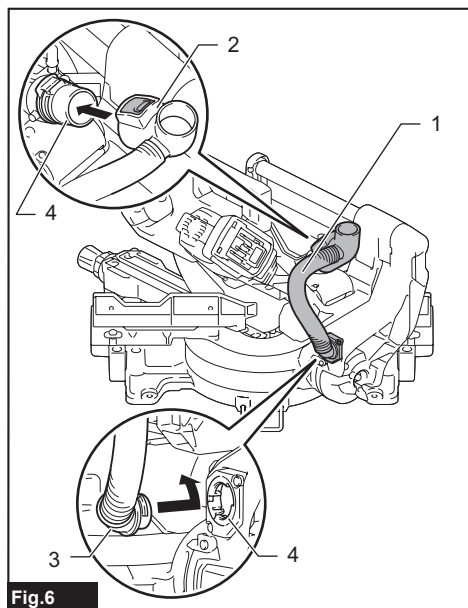


Fig. 6

► 1. Tuyau d'aspiration des poussières 2. Coude  
3. Manchon 4. Port

Pour retirer le coude du port, tirez sur le coude tout en enfonçant le bouton de sécurité.  
Pour retirer le manchon du port, tournez-le dans le sens des aiguilles d'une montre puis dégagez-le en tirant.

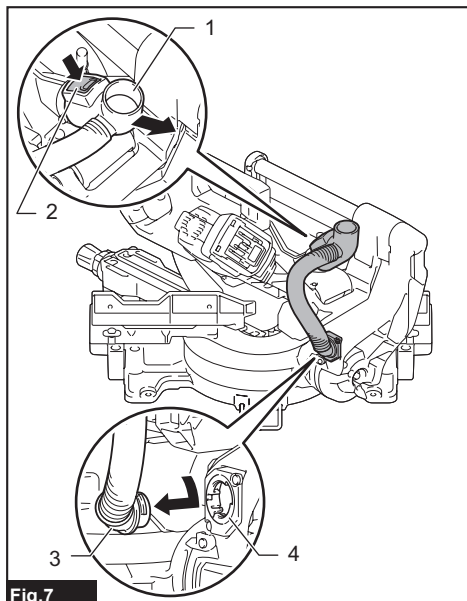


Fig. 7

► 1. Coude 2. Bouton de sécurité 3. Manchon 4. Port

## DESCRIPTION DU FONCTIONNEMENT

**⚠ MISE EN GARDE :** Assurez-vous toujours que l'outil est éteint et que la batterie est retirée avant d'effectuer un réglage ou de vérifier quelque chose sur l'outil. Si vous ne coupez pas le contact et ne retirez pas la batterie, un démarrage accidentel peut entraîner une grave blessure.

## Installation ou retrait de la batterie

**⚠ ATTENTION :** Éteignez toujours l'outil avant d'installer ou de retirer la batterie.

**⚠ ATTENTION :** Tenez fermement l'outil et la batterie lors de l'installation ou du retrait de cette dernière. Si l'outil et la batterie ne sont pas tenus fermement, ils risquent de vous glisser des mains et de subir des dommages, ou encore de vous blesser.

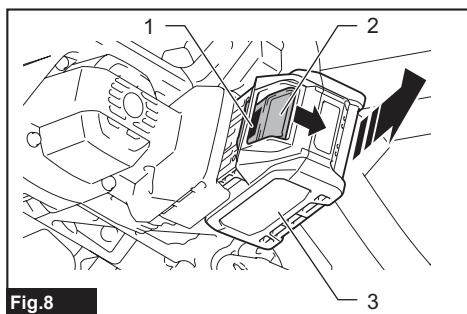


Fig.8

► 1. Indicateur rouge 2. Bouton 3. Batterie

Pour retirer la batterie, faites-la glisser hors de l'outil tout en glissant le bouton qui se trouve à l'avant.

Pour installer la batterie, alignez sa languette sur la rainure pratiquée dans le boîtier et glissez la batterie en place. Insérez-la à fond jusqu'à ce que vous entendiez un léger déclic. Si vous pouvez voir l'indicateur rouge tel qu'illustré sur la figure, cela signifie qu'elle n'est pas complètement verrouillée.

**⚠ ATTENTION : Installez toujours la batterie à fond jusqu'à ce que vous ne puissiez plus voir l'indicateur rouge.** Autrement elle risque de tomber accidentellement de l'outil et d'entraîner des blessures.

**⚠ ATTENTION : Ne forcez pas sur la batterie pour l'installer.** Si la batterie ne glisse pas facilement, c'est qu'elle n'est pas insérée correctement.

## Dispositif de protection de l'outil et de la batterie

L'outil est équipé d'un système de protection d'outil/batterie. Ce système coupe automatiquement l'alimentation du moteur pour augmenter la durée de vie de l'outil et de la batterie. L'outil s'arrête automatiquement pendant l'utilisation lorsque l'outil ou la batterie est dans l'une des situations suivantes :

### Protection contre la surcharge

Lorsque l'outil ou la batterie est utilisé d'une façon qui lui fait consommer un courant anormalement élevé, l'outil s'arrête automatiquement. Dans ce cas, éteignez l'outil et arrêtez l'activité qui entraîne une surcharge de l'outil. Remettez ensuite le contact pour redémarrer.

### Protection contre la surchauffe

Lorsque l'outil ou la batterie surchauffe, l'outil s'arrête automatiquement. Il faut alors laisser refroidir l'outil ou la batterie avant de rallumer l'outil.

### Protection contre la décharge excessive

Lorsque la charge de la batterie est basse, l'outil s'arrête automatiquement. Si l'appareil ne fonctionne pas même lorsque vous activez les interrupteurs, retirez les batteries de l'outil et rechargez-les.

## Affichage de la charge restante de la batterie

Appuyez sur le bouton de vérification de la batterie pour afficher la charge restante de la batterie. Les témoins indicateurs s'allument pendant quelques secondes.

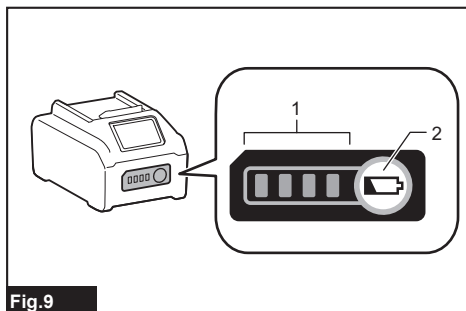


Fig.9

► 1. Témoins indicateurs 2. Bouton de vérification

| Témoins indicateurs |        |            | Charge restante                         |
|---------------------|--------|------------|---|
| Allumé              | Éteint | Clignotant |   |
| ■ ■ ■ ■             |        |            | 75 % à 100 %                            |
| ■ ■ ■ □             |        |            | 50 % à 75 %                             |
| ■ ■ □ □             |        |            | 25 % à 50 %                             |
| ■ □ □ □             |        |            | 0 % à 25 %                              |
| ▣ □ □ □             |        |            | Chargez la batterie.                    |
| ■ ■ □ □             |        |            | La batterie a peut-être mal fonctionné. |
| □ □ ■ ■             |        |            |   |

**NOTE :** Suivant les conditions d'utilisation et la température ambiante, il se peut que l'indication soit légèrement différente de la charge réelle.

**NOTE :** La première lampe témoin (à l'extrémité gauche) clignote lorsque le dispositif de protection de la batterie s'active.

## Verrou de la poignée

**⚠ ATTENTION :** Tenez toujours la poignée lorsque vous libérez la broche de blocage. Autrement la poignée risque de se soulever et de causer une blessure.

À la sortie d'usine de l'outil, la poignée est verrouillée en position abaissée par la broche de blocage. Pour déverrouiller la poignée, tirez sur la broche de blocage et tournez-la de 90° tout en abaissant légèrement la poignée.

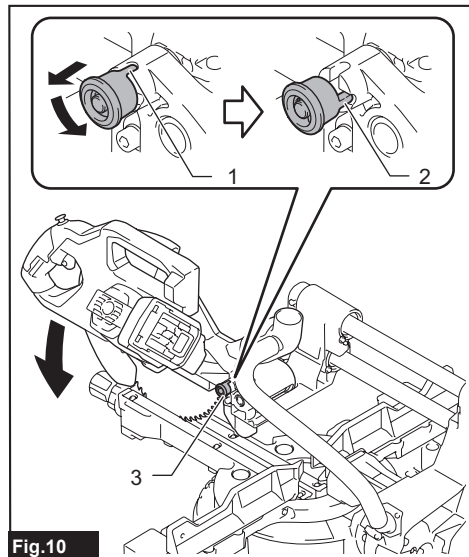


Fig.10

- ▶ 1. Position verrouillée 2. Position déverrouillée
- 3. Broche de blocage

## Verrou de glissement

Tirez sur la broche de blocage et tournez-la de 90° jusqu'en position déverrouillée pour permettre le déplacement libre du chariot. Pour verrouiller le glissement du chariot, poussez le chariot vers le bras jusqu'à ce qu'il s'arrête, puis remettez la broche de blocage en position verrouillée.

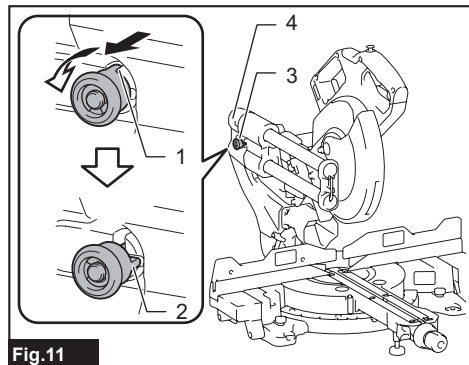


Fig.11

- ▶ 1. Position verrouillée 2. Position déverrouillée
- 3. Broche de blocage 4. Bras

## Protège-lame

**⚠ MISE EN GARDE :** Ne neutralisez et ne retirez jamais le protège-lame ni le ressort qui y est fixé. Une lame exposée en conséquence d'une protection neutralisée comporte un risque de blessure grave pendant l'opération.

**⚠ MISE EN GARDE :** N'utilisez jamais l'outil si le protège-lame ou le ressort est endommagé, fonctionne mal ou a été retiré. L'utilisation de l'outil avec un protège-lame endommagé, défectueux ou retiré peut entraîner une grave blessure.

**⚠ ATTENTION :** Pour assurer la sécurité du fonctionnement, maintenez toujours le protège-lame en bon état. Cessez immédiatement l'opération en cas de fonctionnement irrégulier du protège-lame. Assurez-vous que l'action de retour du protège-lame par son ressort s'effectue correctement.

Lorsque vous abaissez la poignée, le protège-lame s'élève automatiquement. Le protège-lame est maintenu par un ressort et revient donc à sa position d'origine lorsque la coupe est terminée et que vous relevez la poignée.

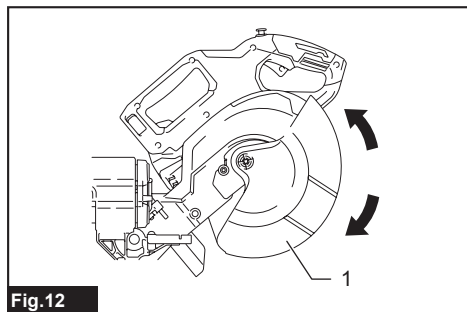


Fig.12

- ▶ 1. Protège-lame

## Nettoyage

Si le protège-lame transparent se salit, ou si de la poussière s'y colle et que la lame et/ou la pièce n'est plus visible, retirez la batterie et nettoyez soigneusement le protège-lame avec un linge humide. N'utilisez aucun solvant ou nettoyant à base de pétrole pour nettoyer le protège-lame de plastique, car cela pourrait l'endommager.

Suivez étape par étape la liste des instructions sur la préparation en vue du nettoyage.

1. Assurez-vous que l'outil est éteint et que la batterie est retirée.
2. Tout en tenant le couvercle central, tournez le boulon hexagonal dans le sens contraire des aiguilles d'une montre à l'aide de la clé hexagonale fournie.
3. Soulevez le protège-lame et le couvercle central.
4. Une fois le nettoyage terminé, ramenez le couvercle central et serrez le boulon hexagonal en effectuant l'inverse des étapes ci-dessus.
5. Veillez à remettre la lame de scie circulaire et le couvercle central sur leurs positions initiales, et à serrer le boulon hexagonal.

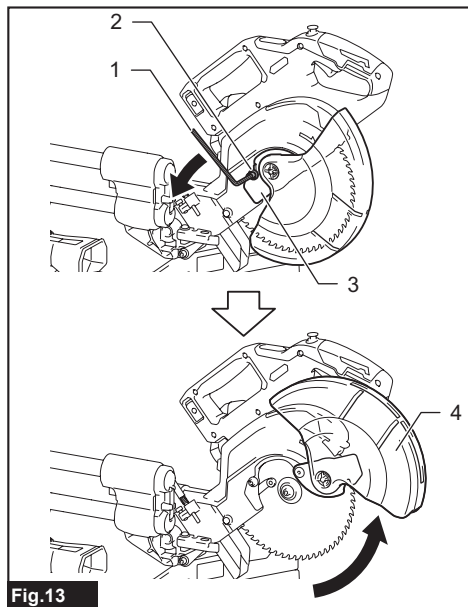


Fig.13

- 1. Clé hexagonale 2. Boulon hexagonal  
3. Couvercle central 4. Protège-lame

**⚠ MISE EN GARDE : Ne retirez pas le ressort qui retient le protège-lame.** Si le protège-lame s'use avec le temps ou sous l'effet des rayons ultraviolets, contactez un centre de service après-vente Makita pour le faire remplacer. **NE NEUTRALISEZ PAS ET NE RETIREZ PAS LE PROTECTEUR.**

## Positionnement du plateau de découpe

Le socle rotatif de cet outil est équipé de plateaux de découpe pour réduire la déchirure du côté extérieur de la coupe. Les plateaux de découpe sont réglés en usine de sorte qu'ils n'entrent pas en contact avec la lame de scie circulaire. Avant l'utilisation, ajustez les plateaux de découpe comme suit :

1. Pensez à retirer la batterie. Desserrez ensuite toutes les vis (trois de chaque côté) qui immobilisent les plateaux de découpe.

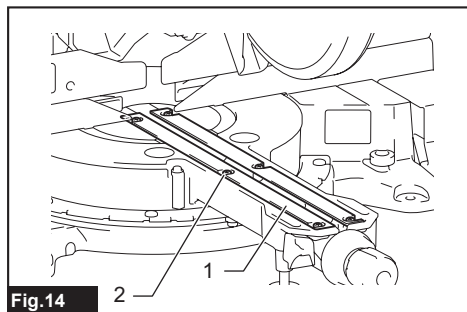


Fig.14

- 1. Plateau de découpe 2. Vis

2. Resserrez-les de façon à pouvoir déplacer facilement les plateaux de découpe manuellement.
3. Abaissez complètement la poignée, puis tirez et tournez la broche de blocage pour verrouiller la poignée en position abaissée.
4. Tirez sur la broche de blocage et tournez-la sur la tige de glissement pour permettre le glissement du chariot.

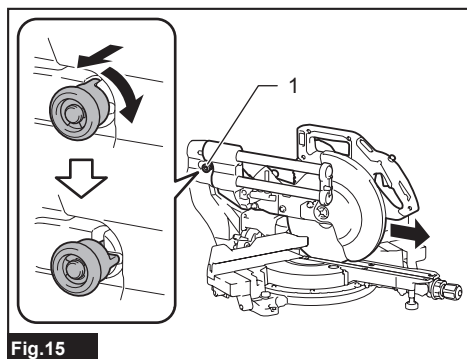


Fig.15

- 1. Broche de blocage

5. Tirez complètement le chariot vers vous.

6. Réglez les plateaux de découpe de sorte qu'ils touchent à peine les côtés des dents de la lame.

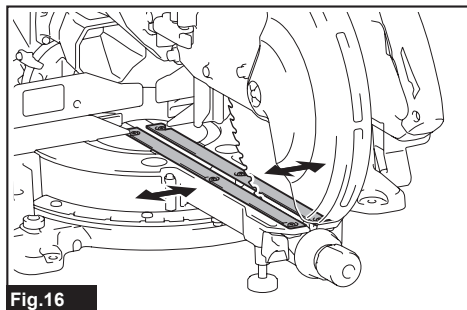


Fig.16

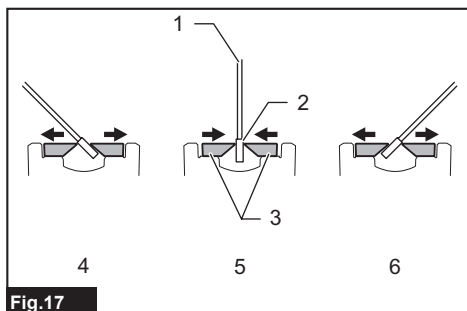


Fig.17

- 1. Lame de scie 2. Dents de la lame 3. Plateau de découpe 4. Coupe en biseau gauche 5. Coupe rectiligne 6. Coupe en biseau à droite

7. Serrez les vis avant (ne les serrez pas fermement).
8. Glissez le chariot vers le bas jusqu'à mi-chemin entre l'extrémité avant des plateaux de découpe et les gardes de guidage. Réglez les plateaux de découpe de sorte qu'ils touchent à peine les côtés des dents de la lame.
9. Serrez les vis centrales (ne les serrez pas fermement).
10. Poussez complètement le chariot vers les gardes de guidage et réglez les plateaux de découpe de sorte qu'ils touchent à peine les côtés des dents de la lame.
11. Serrez les vis arrière (ne les serrez pas fermement).
12. Après le réglage des plateaux de découpe, libérez la broche de blocage du verrou de la poignée et soulevez la poignée. Serrez ensuite toutes les vis fermement.

**AVIS :** Après le réglage de l'angle de coupe en biseau, assurez-vous que les plateaux de découpe sont bien réglés. Le réglage adéquat des plateaux de découpe aide à apporter un bon soutien à la pièce et à réduire sa détérioration.

## Maintien de la capacité de coupe maximale

Cet outil est réglé en usine de sorte que sa capacité de coupe maximale soit atteinte avec une lame de scie de 216 mm (8-1/2").

Lorsque vous installez une nouvelle lame de scie circulaire, vérifiez toujours sa position limite inférieure et, au besoin, réglez-la comme suit :

1. Retirez la batterie. Ensuite, poussez complètement le chariot vers le garde de guidage et abaissez totalement la poignée.

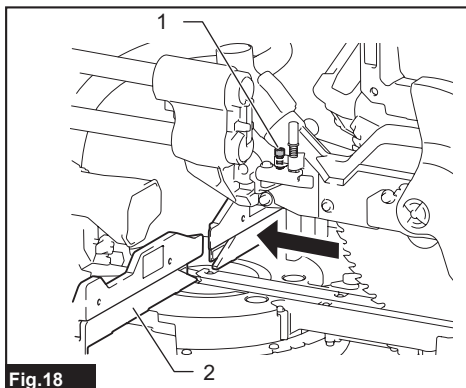


Fig.18

- 1. Boulon de réglage 2. Garde de guidage

2. À l'aide de la clé hexagonale, tournez le boulon de réglage jusqu'à ce que la lame de scie circulaire se trouve légèrement sous la section de croisement du garde de guidage et de la face supérieure du socle rotatif.

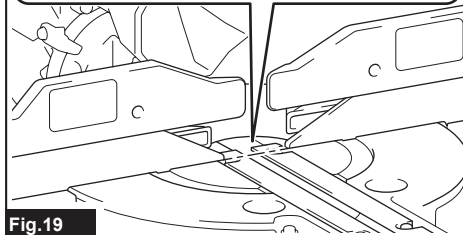
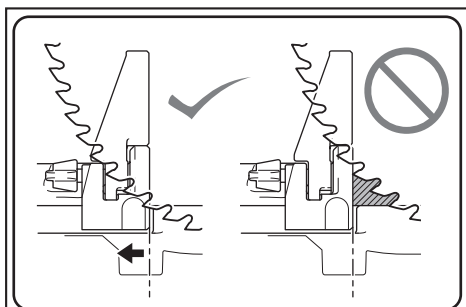


Fig.19

3. Tournez la lame manuellement tout en maintenant la poignée complètement abaissée, pour être sûr que la lame de scie circulaire n'entre en contact avec aucune partie du socle inférieur. Au besoin, effectuez un léger réajustement.

**⚠ MISE EN GARDE :** Après l'installation d'une nouvelle lame de scie circulaire et avec la batterie retirée, assurez-vous toujours que la lame n'entre en contact avec aucune partie du socle inférieur lorsque la poignée est complètement abaissée. Si la lame de scie circulaire touche le socle, elle risque de provoquer un recul et d'entraîner une grave blessure.

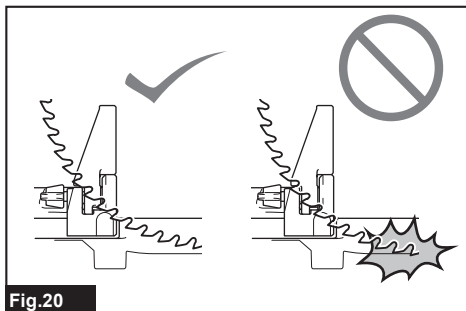


Fig.20

## Bras de blocage

Le bras de blocage permet un réglage facile de la position limite inférieure de la lame de scie circulaire. Pour l'ajuster, déplacez le bras de blocage dans le sens de la flèche, tel qu'indiqué sur l'illustration. Tournez la vis de réglage de sorte que la lame s'arrête à la position désirée lorsque vous abaissez complètement la poignée.

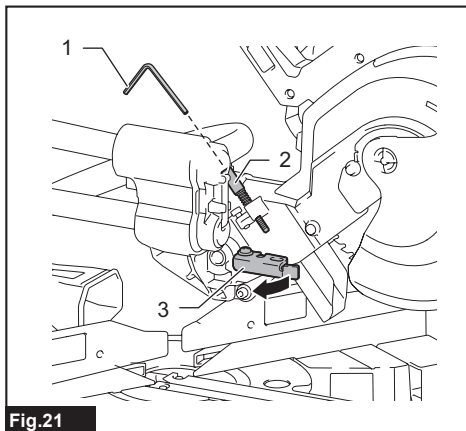


Fig.21

► 1. Clé hexagonale 2. Vis de réglage 3. Bras de blocage

**⚠ ATTENTION :** Tenez toujours la poignée fermement pendant l'exécution du réglage. Autrement, le chariot risque de sauter vers le haut et d'entraîner une blessure.

## Réglage de l'angle de coupe d'onglet

**⚠ ATTENTION :** Après avoir changé l'angle de coupe d'onglet, fixez toujours le socle rotatif en remettant le levier de libération en position verrouillée et en serrant fermement le manche.

**AVIS :** Assurez-vous de soulever complètement la poignée lorsque vous faites tourner le socle rotatif.

1. Tournez le manche dans le sens contraire des aiguilles d'une montre et poussez le levier de libération vers le bas jusqu'en position déverrouillée.
2. Tenez et balayez le manche d'un côté à l'autre pour tourner le socle.
3. Alignez le pointeur sur l'angle désiré sur l'échelle d'angle de coupe d'onglet.
4. Poussez le levier de libération vers le haut jusqu'en position verrouillée et serrez le manche.

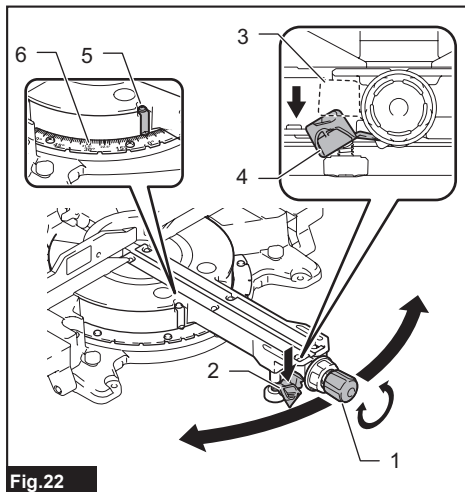


Fig.22

- 1. Manche 2. Levier de libération 3. Position verrouillée 4. Position déverrouillée 5. Pointeur 6. Échelle d'angle de coupe d'onglet

## Fonction d'arrêt fixe

Cette scie à coupe d'onglet est dotée d'une fonction d'arrêt fixe. Vous pouvez régler rapidement l'angle de coupe d'onglet droit/gauche sur 0°, 15°, 22,5°, 31,6°, 45° et 60°.

1. Tournez le socle jusqu'à ce qu'il soit proche de l'angle d'arrêt fixe désiré tout en poussant le levier de libération vers le bas jusqu'en position déverrouillée.
2. Poussez sciemment le levier de libération vers le haut jusqu'à mi-chemin entre la position déverrouillée et la position verrouillée.
3. Tournez le socle vers l'angle d'arrêt fixe désiré jusqu'à ce qu'il y soit fixé.
4. Poussez le levier de libération vers le haut jusqu'en position verrouillée et serrez le manche.

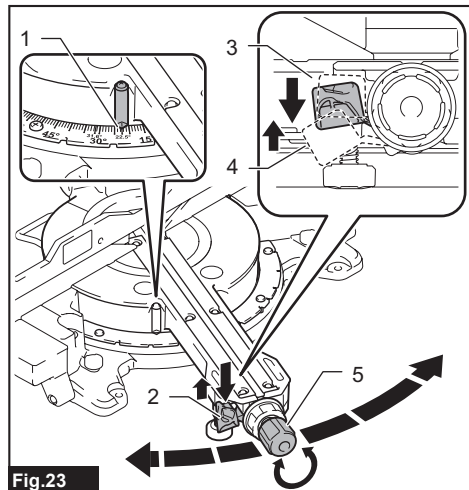


Fig.23

- 1. Angle d'arrêt fixe 2. Levier de libération  
3. Position verrouillée 4. Position déverrouillée  
5. Manche

## Réglage de l'angle de coupe en biseau

**ATTENTION** : Après avoir modifié l'angle de coupe en biseau, fixez toujours le bras en serrant le cadran du manche dans le sens des aiguilles d'une montre.

**AVIS** : Retirez toujours les gardes de guidage supérieurs et l'étau vertical avant d'ajuster l'angle de coupe en biseau.

**AVIS** : Lorsque vous inclinez la lame de scie circulaire, veillez à ce que le chariot soit complètement élevé.

**AVIS** : Lorsque vous modifiez l'angle de coupe en biseau, assurez-vous toujours de bien repositionner les plateaux de découpe tel que décrit dans la section sur le positionnement des plateaux de découpe.

**AVIS** : Ne serrez pas le cadran du manche trop fort. Cela peut entraîner un dysfonctionnement du mécanisme de verrouillage de l'angle de coupe en biseau.

## Inclinaison de la lame de scie circulaire vers la gauche

1. Tournez le cadran du manche dans le sens contraire des aiguilles d'une montre.
2. Tenez la poignée et inclinez le chariot vers la gauche.
3. Alignez le pointeur sur l'angle désiré sur l'échelle d'angle de coupe en biseau.
4. Serrez le cadran du manche dans le sens des aiguilles d'une montre pour fixer le bras.

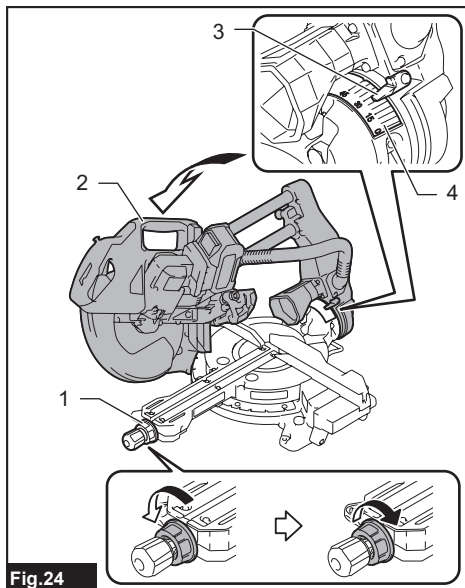


Fig.24

- 1. Cadran du manche 2. Poignée 3. Pointeur  
4. Échelle d'angle de coupe en biseau



## Inclinaison de la lame de scie circulaire vers la droite

1. Tournez le cadran du manche dans le sens contraire des aiguilles d'une montre.
2. Tenez la poignée et inclinez le chariot légèrement vers la gauche.
3. Inclinez le chariot vers la droite tout en tirant sur le levier de libération pour angle de coupe en biseau du côté droit.
4. Alignez le pointeur sur l'angle désiré sur l'échelle d'angle de coupe en biseau.
5. Serrez le cadran du manche dans le sens des aiguilles d'une montre pour fixer le bras.

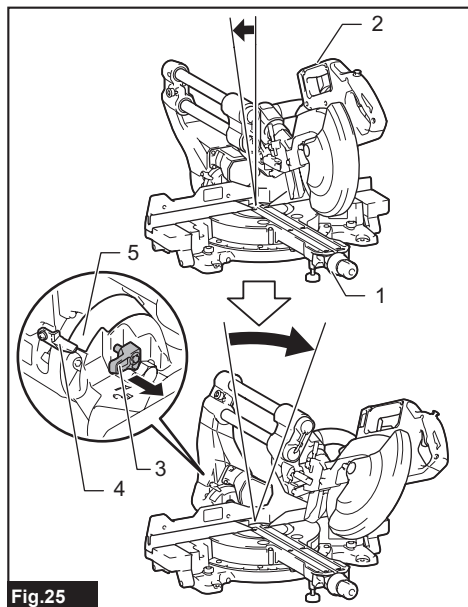


Fig.25

- 1. Cadran du manche 2. Poignée 3. Levier de libération pour angle de coupe en biseau du côté droit 4. Pointeur 5. Échelle d'angle de coupe en biseau

## Inclinaison de la lame de scie circulaire au-delà de la plage 0° - 45°

1. Tournez le cadran du manche dans le sens contraire des aiguilles d'une montre.
2. Tenez la poignée et inclinez le chariot de 45° vers la gauche ou la droite.
3. Ramenez le chariot légèrement vers l'arrière et tournez le levier de libération pour un angle de coupe en biseau 48° dans le sens des aiguilles d'une montre.
4. Inclinez davantage le chariot vers la gauche ou la droite tout en gardant le levier libéré.
5. Serrez le cadran du manche dans le sens des aiguilles d'une montre pour fixer le bras.

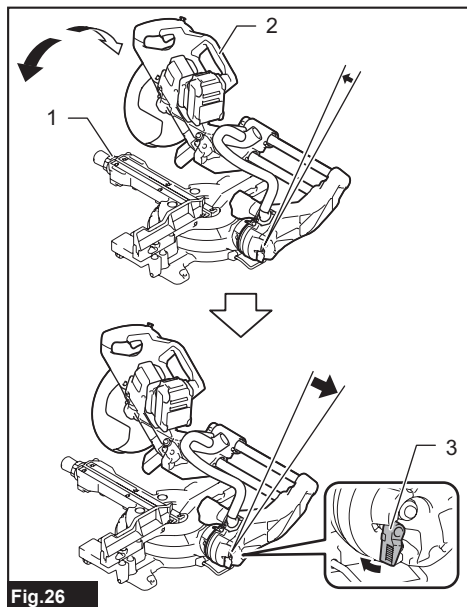


Fig.26

- 1. Cadran du manche 2. Poignée 3. Levier de libération pour angle de coupe en biseau 48°



## Interrupteur

**⚠ MISE EN GARDE :** Avant d'insérer la/les batterie(s) dans l'outil, vérifiez toujours que la gâchette fonctionne bien et revient en position d'arrêt lorsque libérée. **Ne tirez pas fortement sur la gâchette sans avoir d'abord enfoncé le bouton de sécurité.** Cela peut casser la gâchette. Si vous utilisez un outil avec un interrupteur qui ne fonctionne pas correctement, vous risquez de perdre le contrôle de l'outil et de vous blesser grièvement.

**⚠ MISE EN GARDE :** N'utilisez JAMAIS un outil dont la gâchette présente un problème. Tout outil dont la gâchette présente un problème est TRÈS DANGEREUX et doit être réparé avant d'être utilisé, autrement il y a risque de blessure grave.

**⚠ MISE EN GARDE :** Le bouton de sécurité ne doit JAMAIS être immobilisé avec du ruban adhésif ou de toute autre façon. Une gâchette dont le bouton de sécurité est neutralisé peut causer la mise en marche accidentelle et une grave blessure.

**⚠ MISE EN GARDE :** N'utilisez JAMAIS l'outil s'il s'active simplement en appuyant sur la gâchette sans enfoncer le bouton de sécurité. Une gâchette défectueuse peut causer la mise en marche accidentelle et une grave blessure. AVANT de poursuivre l'utilisation, retournez l'outil à un centre de service après-vente Makita pour le faire réparer.

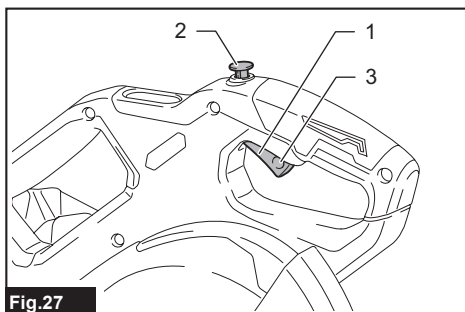


Fig.27

► 1. Gâchette 2. Bouton de sécurité 3. Trou pour cadenas

Un bouton de sécurité est fourni pour prévenir la pression accidentelle sur la gâchette. Pour faire démarrer l'outil, enfoncez le bouton de sécurité et appuyez sur la gâchette. Pour l'arrêter, libérez la gâchette.

Un trou a été prévu dans la gâchette pour l'insertion d'un cadenas permettant de verrouiller l'outil.

**⚠ MISE EN GARDE :** N'utilisez pas un cadenas dont la tige ou le câble a un diamètre inférieur à 6,35 mm (1/4"). Une tige ou un câble de format inférieur pourrait ne pas verrouiller correctement l'outil en position arrêtée et un démarrage accidentel risquerait de vous blesser grièvement.

## Projection d'une ligne de coupe

**⚠ ATTENTION :** Cette lampe ne s'est pas étanche à la pluie. Ne lavez pas la lampe dans l'eau, et ne l'utilisez pas sous la pluie ou dans un emplacement mouillé. Cela peut entraîner une décharge électrique et générer des émanations.

**⚠ ATTENTION :** Ne touchez pas la lentille de la lampe pendant qu'elle est allumée ou lorsqu'elle vient tout juste d'être éteinte, car elle est alors très chaude. Cela peut causer des brûlures.

**⚠ ATTENTION :** Évitez de heurter la lampe, car cela peut l'endommager ou raccourcir sa durée de service.

**⚠ ATTENTION :** Évitez de regarder directement le faisceau lumineux ou sa source.

La lampe à DEL projette un faisceau de lumière sur la lame de scie circulaire, et l'ombre de celle-ci tombe sur la pièce en guise d'indicateur de ligne de coupe sans étalonnage. Appuyez sur le bouton de lampe pour projeter un faisceau de lumière. Une ligne apparaît là où la lame rencontrera la surface de la pièce, et elle devient de plus en plus profonde à mesure que la lame descend.

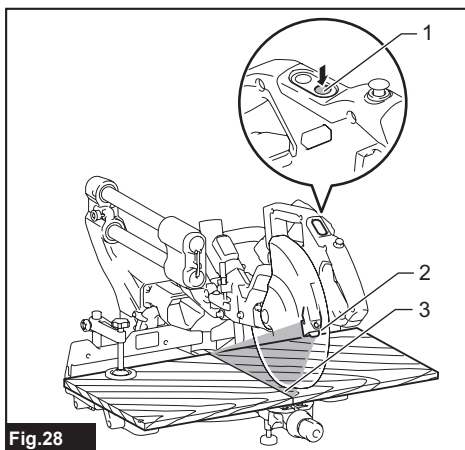


Fig.28

► 1. Bouton de lampe 2. Lampe 3. Ligne de coupe

L'indicateur facilite la coupe sur une ligne tracée à l'avance au crayon sur une pièce.

1. Tenez la poignée et abaissez la lame de scie circulaire de sorte qu'une ombre dense de la lame soit projetée contre la pièce.
2. Sur la pièce, alignez la ligne tracée à la main sur la ligne de coupe ombragée.
3. Si nécessaire, réglez les angles de coupe d'onglet et de coupe en biseau.

**NOTE :** Veillez à éteindre l'interrupteur de la lampe après l'utilisation, car la lampe allumée consomme l'énergie de la batterie.

**NOTE :** La lumière s'éteint automatiquement 5 minutes après l'arrêt de l'utilisation.

## Fonction électronique

### Frein électrique

Cet outil est muni d'un frein de lame électrique. Si l'outil ne s'arrête jamais immédiatement après la libération de la gâchette, faites-le réparer dans un centre de service après-vente Makita.

### Commande de vitesse constante

L'outil est doté d'une commande de vitesse électronique qui aide à maintenir une vitesse de rotation constante de la lame même lorsque l'outil est soumis à une charge. Une vitesse de rotation constante de la lame permet d'effectuer la coupe de manière très fluide.

### Fonction de démarrage en douceur

Cette fonction permet un démarrage graduel de l'outil, en limitant le couple de démarrage.

## ASSEMBLAGE

**MISE EN GARDE** : Assurez-vous toujours que l'outil est éteint et que la batterie est retirée avant d'effectuer toute opération dessus. Vous risquez une grave blessure si l'outil n'est pas éteint et si la batterie n'est pas retirée.

### Rangement de la clé hexagonale

Lorsque vous n'utilisez pas la clé hexagonale, rangez-la de la façon indiquée sur la figure pour éviter de l'égarer.

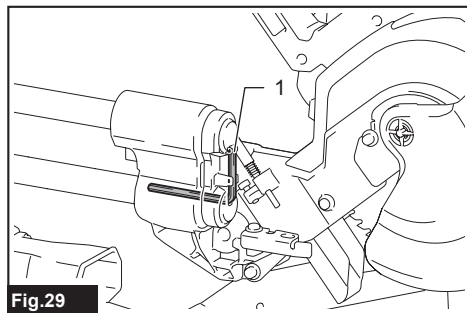


Fig.29

► 1. Clé hexagonale

## Retrait et pose de la lame de scie

**MISE EN GARDE** : Assurez-vous toujours que l'outil est éteint et que la batterie est retirée avant de retirer ou d'installer la lame de scie circulaire. Un démarrage accidentel de l'outil risquerait de causer une grave blessure.

**MISE EN GARDE** : Utilisez uniquement la clé Makita fournie pour retirer ou installer la lame de scie circulaire. Ne pas utiliser cette clé peut entraîner un serrage excessif ou insuffisant du boulon hexagonal, et causer une grave blessure.

**MISE EN GARDE** : N'utilisez jamais de pièces non fournies avec cet outil, et ne remplacez jamais les pièces fournies par des pièces non fournies. L'utilisation de telles pièces peut entraîner une grave blessure.

**MISE EN GARDE** : Après avoir installé la lame de scie circulaire, assurez-vous toujours qu'elle est fixée fermement. Une fixation lâche de la lame de scie circulaire peut entraîner une grave blessure.

### Retrait de la lame

Pour retirer la lame de scie circulaire, suivez ces étapes :

1. Verrouillez le chariot en position élevée en tirant sur la broche de blocage et en la tournant jusqu'en position verrouillée.

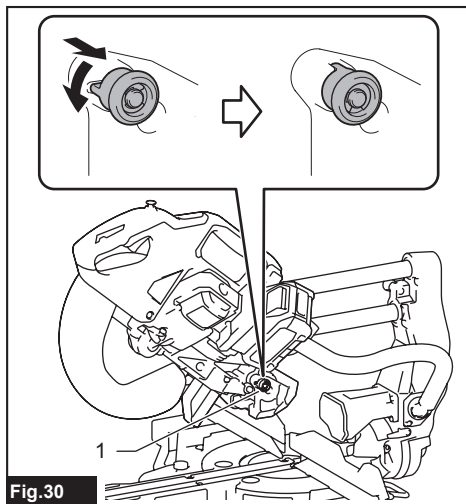


Fig.30

► 1. Broche de blocage

2. Utilisez la clé hexagonale pour desserrer le boulon hexagonal qui retient le couvercle central. Soulevez ensuite le protège-lame et le couvercle central.

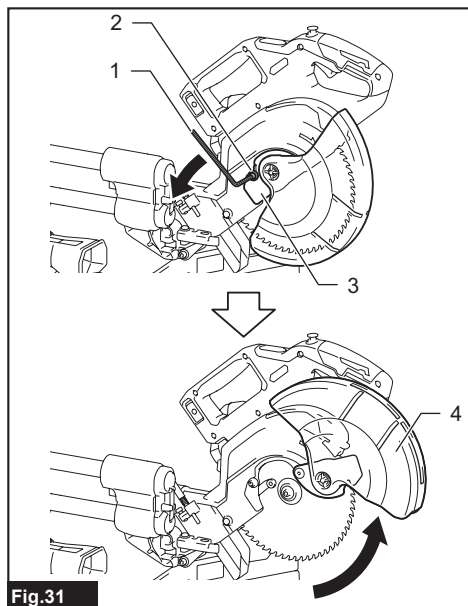


Fig.31

► 1. Clé hexagonale 2. Boulon hexagonal  
3. Couvercle central 4. Protège-lame

3. Appuyez sur le blocage de l'arbre pour verrouiller l'axe, et utilisez la clé hexagonale pour desserrer le boulon hexagonal en tournant dans le sens des aiguilles d'une montre. Retirez ensuite le boulon hexagonal, le flasque extérieur et la lame de scie circulaire.

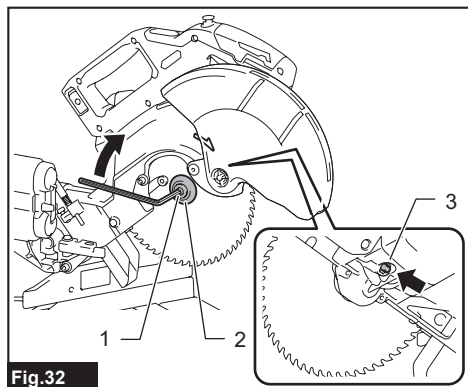


Fig.32

► 1. Boulon hexagonal (à filet renversé) 2. Flasque extérieur 3. Blocage de l'arbre

4. Si le flasque intérieur a été retiré, installez-le sur l'axe avec sa face creuse orientée vers la lame de scie circulaire. Si le flasque est mal installé, il frottera contre la machine.

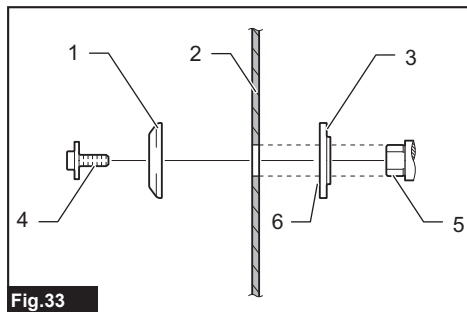


Fig.33

► 1. Flasque extérieur 2. Lame de scie circulaire  
3. Flasque intérieur 4. Boulon hexagonal (à filet renversé) 5. Axe 6. Face creuse

## Pose de la lame

**ATTENTION :** Assurez-vous d'installer la lame de scie circulaire de sorte que la flèche de la lame et la flèche du porte-lame pointent dans le même sens. Dans le cas contraire, vous risquez une blessure et l'outil et/ou la pièce peuvent être endommagés.

Pour installer la lame de scie circulaire, suivez ces étapes :

1. Montez soigneusement la lame de scie circulaire sur le flasque intérieur. Assurez-vous que la flèche de la lame de scie circulaire et la flèche du porte-lame pointent dans le même sens.

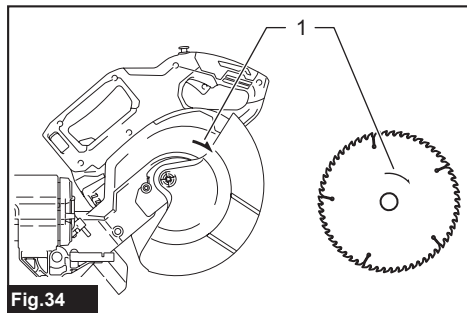


Fig.34

► 1. Flèche

2. Installez le flasque extérieur et le boulon hexagonal, puis utilisez la clé hexagonale pour serrer fermement le boulon hexagonal (à filet renversé) en tournant dans le sens contraire des aiguilles d'une montre tout en appuyant sur le blocage de l'arbre.

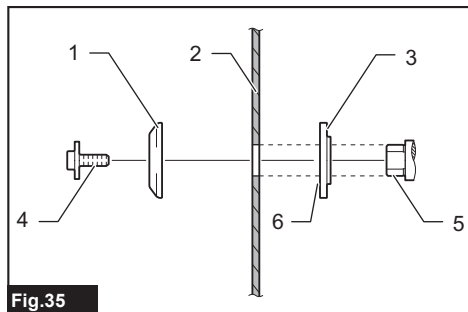


Fig.35

- 1. Flasque extérieur 2. lame de scie circulaire  
3. Flasque intérieur 4. Boulon hexagonal (à filet renversé) 5. Axe 6. Face creuse
3. Ramenez le protège-lame et le couvercle central sur leur position d'origine. Serrez ensuite le boulon hexagonal pour fixer le couvercle central.
4. Tirez sur la broche de blocage et tournez-la pour libérer le chariot de la position élevée. Abaissez le chariot et assurez-vous que le protège-lame se déplace correctement.

## Raccordement à un aspirateur

Lorsque vous souhaitez effectuer un travail de coupe propre, raccordez un aspirateur Makita au raccord à poussières (port à poussières supérieur) à l'aide d'un bracelet avant 24 (accessoire en option).

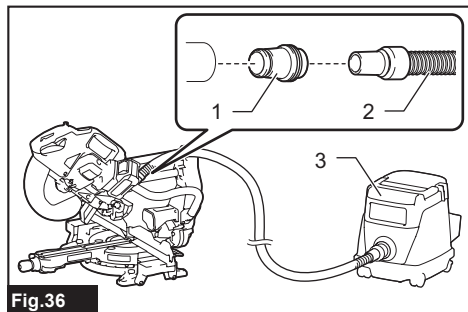


Fig.36

- 1. Bracelets avant 24 2. Tuyau 3. Aspirateur

## Sac à poussières

**ATTENTION :** Lorsque vous effectuez une coupe, fixez toujours le sac à poussières ou raccordez un aspirateur pour prévenir les risques liés aux poussières.

L'utilisation du sac à poussières rend les opérations de coupe propres et la collecte des poussières facile. Pour fixer le sac à poussières, retirez le tuyau d'aspiration des poussières sur l'outil et raccordez le sac à poussières au raccord à poussières (port à poussières supérieur).

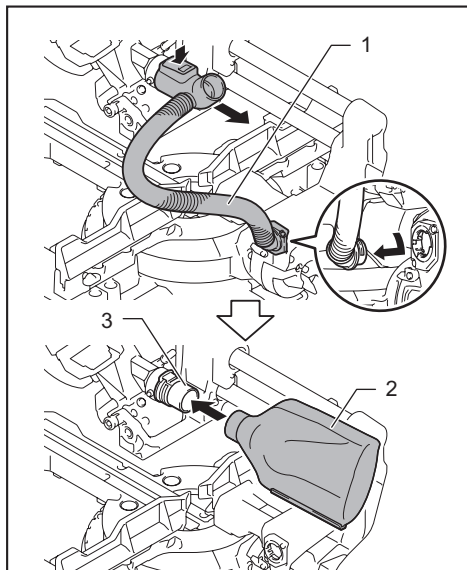


Fig.37

- 1. Tuyau d'aspiration des poussières 2. Sac à poussières 3. Raccord à poussières (port à poussières supérieur)

Lorsque le sac à poussières est environ à moitié plein, retirez-le de l'outil et tirez sur l'agrafe. Videz le sac à poussières, en le tapant légèrement pour retirer les particules qui adhèrent à sa surface intérieure et risqueraient de faire obstacle à la collecte des poussières par la suite.

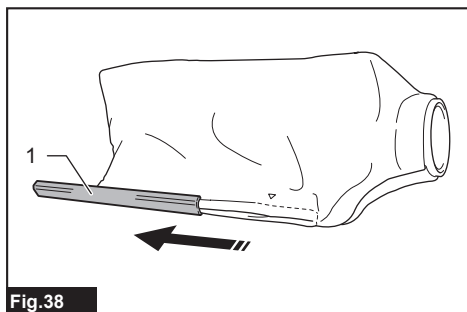


Fig.38

- 1. Agrafe

## Immobilisation de la pièce

**MISE EN GARDE** : Il est extrêmement important de toujours bien fixer la pièce, avec le bon type d'étau. Dans le cas contraire, vous risquez une grave blessure et l'outil et/ou la pièce peuvent être endommagés.

**MISE EN GARDE** : Lorsque vous coupez une pièce plus longue que le socle de soutien de la scie, soutenez le matériau sur toute la longueur au-delà du socle de soutien et à la même hauteur, pour que le matériau reste de niveau. Un bon soutien de la pièce aide à éviter le coincement de la lame et les éventuels rebonds qui risqueraient de vous blesser grièvement. Ne comptez pas uniquement sur l'étau vertical et/ou horizontal pour bloquer la pièce. Les matériaux fins ont tendance à s'affaisser. La pièce doit être soutenue sur toute sa longueur pour éviter que la lame ne se coince, ce qui comporte un risque de REBOND.

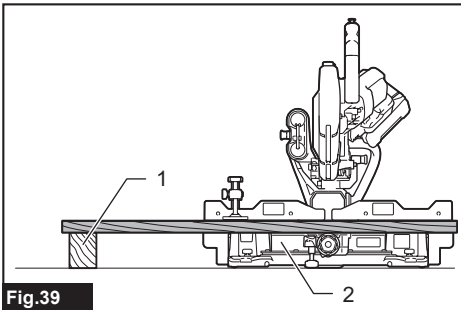


Fig.39

► 1. Support 2. Socle rotatif

## Gardes de guidage

**MISE EN GARDE** : Avant d'utiliser l'outil, assurez-vous que le garde supérieur est fermement fixé.

**MISE EN GARDE** : Avant la coupe en biseau, assurez-vous qu'aucune pièce de l'outil, et tout spécialement la lame, ne touche les gardes supérieurs et inférieurs lorsque vous abaissez ou élevez complètement la poignée sur toute position, et pendant que vous déplacez le chariot sur toute sa plage de mouvement. En touchant le garde, l'outil ou la lame peut causer un rebond ou un déplacement inattendu du matériau, et entraîner une grave blessure.

Utilisez les gardes supérieurs pour soutenir le matériau s'il est plus haut que les gardes inférieurs. Desserrez la vis de serrage de sorte que les gardes supérieurs glissent vers l'intérieur et l'extérieur par-dessus les gardes inférieurs. Repositionnez les gardes puis serrez la vis.

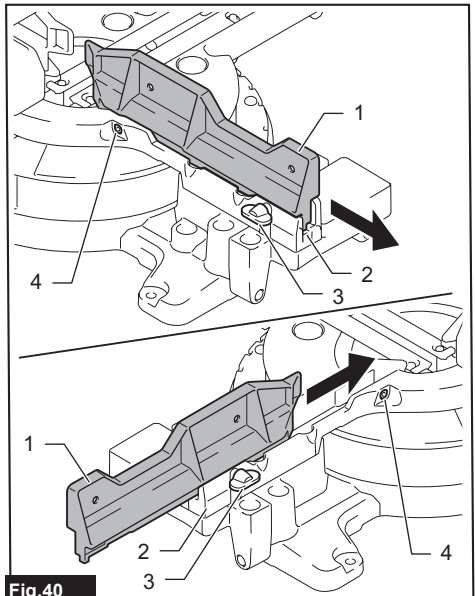


Fig.40

► 1. Garde supérieur 2. Garde inférieur 3. Vis de serrage 4. Vis de réglage

**AVIS** : Les gardes inférieurs sont fixés au socle en usine. Ne retirez pas les gardes inférieurs.

**AVIS** : Si le garde supérieur est encore lâche après avoir été serré avec la vis de serrage, tournez la vis de réglage pour annuler le jeu. La vis de réglage est ajustée en usine. Vous n'avez à l'utiliser que lorsque nécessaire.

## Étau vertical

**⚠ MISE EN GARDE :** La pièce à travailler doit être fixée fermement contre le socle rotatif et les gardes de guidage avec l'étau lors de toutes les opérations. Si la pièce à travailler n'est pas bien fixée au garde, le matériau risque de se déplacer pendant la coupe, ce qui peut endommager la lame, causer l'éjection du matériau et une perte de maîtrise de l'outil, entraînant une grave blessure.

L'étau vertical peut être installé en deux positions, respectivement des côtés gauche et droit du socle. Insérez la tige de l'étau dans un des orifices du socle. Positionnez le bras de l'étau selon l'épaisseur et la forme de la pièce à travailler, et fixez le bras de l'étau en serrant la vis de serrage. Si la vis de serrage touche le chariot, installez-la du côté opposé du bras de l'étau. Veillez à ce qu'aucune pièce de l'outil ne touche l'étau lorsque vous abaissez complètement la poignée. Si une partie quelconque entre en contact avec l'étau, modifiez la position de ce dernier. Appuyez la pièce bien à plat contre les gardes de guidage et le socle rotatif. Placez la pièce sur la position de coupe désirée et immobilisez-la fermement en serrant le bouton de l'étau.

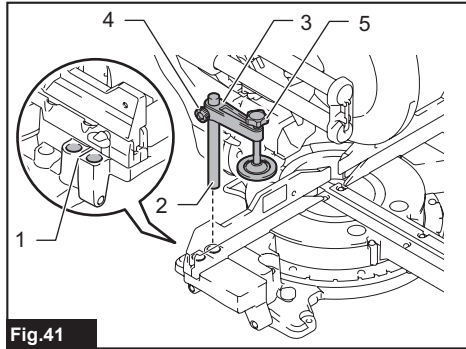


Fig.41

► 1. Orifices 2. Tige de l'étau 3. Bras de l'étau 4. Vis de serrage 5. Bouton de l'étau

## Étau horizontal

### Accessoire en option

**⚠ MISE EN GARDE :** Tournez toujours le support d'écrou dans le sens des aiguilles d'une montre jusqu'à ce que la pièce à travailler soit bien fixée. Si la pièce à travailler n'est pas bien fixée, elle risque de se déplacer pendant la coupe, ce qui peut endommager la lame de scie circulaire, causer l'éjection de la pièce et une perte de maîtrise de l'outil, entraînant une grave blessure.

**⚠ MISE EN GARDE :** Utilisez toujours l'étau horizontal lorsque vous placez contre le garde une pièce mince, comme du carton support, pour la couper.

**⚠ ATTENTION :** Lorsque vous coupez une pièce dont l'épaisseur est de 20 mm (13/16") ou moins, veillez à utiliser une cale d'espacement pour fixer la pièce.

L'étau horizontal peut être installé du côté gauche ou du côté droit du socle. Lorsque vous effectuez des coupes d'onglet de 22,5° ou plus, installez l'étau horizontal du côté opposé au sens dans lequel le socle rotatif doit être tourné. Le pivotement du support d'écrou dans le sens contraire des aiguilles d'une montre libère l'étau, qui peut être alors déplacé rapidement vers l'intérieur et l'extérieur. Pour serrer la pièce à travailler, poussez le bouton de l'étau vers l'avant jusqu'à ce que la plaque de l'étau touche la pièce, puis faites pivoter le support d'écrou dans le sens des aiguilles d'une montre. Tournez ensuite le bouton de l'étau dans le sens des aiguilles d'une montre pour fixer la pièce.

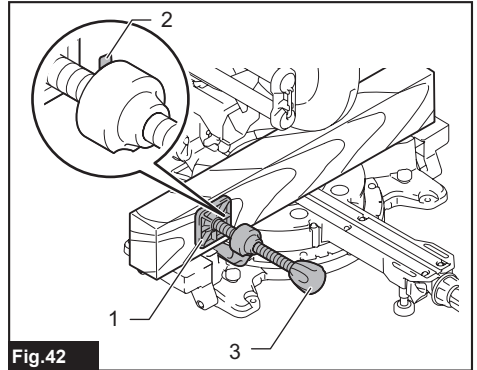


Fig.42

► 1. Plaque de l'étau 2. Support d'écrou 3. Bouton de l'étau

**NOTE :** L'étau horizontal peut immobiliser une pièce d'une largeur maximale de 68 mm (2-11/16").

### Sous-socle

**⚠ MISE EN GARDE :** Soutenez toujours les pièces longues afin qu'elles soient au niveau de la face supérieure du socle rotatif pour effectuer une coupe précise et éviter une dangereuse perte de contrôle de l'outil. Un bon soutien de la pièce aidera à éviter le coincement de la lame et les éventuels rebonds qui risqueraient de vous blesser grièvement.

**⚠ MISE EN GARDE :** Avant d'effectuer la coupe, assurez-vous toujours que les sous-socles sont retenus par les vis.

Des sous-socles ont été prévus des deux côtés de l'outil pour soutenir les longues pièces horizontalement. Desserrez les vis et déployez les sous-socles jusqu'à la longueur adéquate pour soutenir la pièce à travailler. Serrez ensuite les vis.

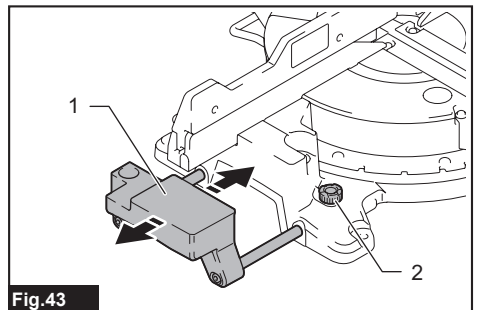


Fig.43

► 1. Sous-socle 2. Vis

Lors de la coupe, placez la pièce bien à plat contre les gardes de guidage.

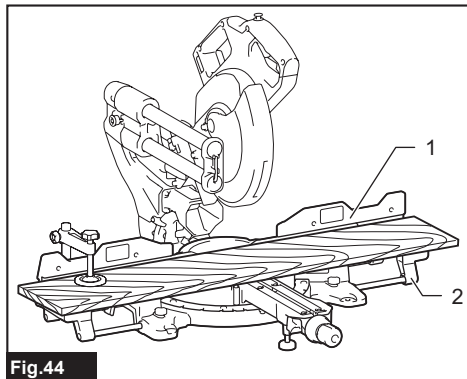


Fig.44

► 1. Garde de guidage 2. Sous-socle

## UTILISATION

Cet outil est destiné à la coupe de produits de bois. Avec de véritables lames de scie Makita appropriées, il est aussi possible de scier les matériaux suivants :

— Produits d'aluminium

Reportez-vous à notre site Web ou contactez votre détaillant Makita local pour connaître les lames de scie circulaire qui conviennent au matériau à couper.

**▲ MISE EN GARDE :** Avant le démarrage, assurez-vous que la lame de scie circulaire ne touche pas la pièce à travailler ni quoi que ce soit d'autre. Le démarrage de l'outil avec la lame de scie circulaire en contact avec la pièce peut causer un recul et une blessure grave.

**▲ MISE EN GARDE :** Après une opération de coupe, ne relevez pas la lame de scie circulaire avant qu'elle ne soit complètement arrêtée. En relevant une lame qui tourne, vous risqueriez de vous blesser grièvement ou d'endommager la pièce.

**▲ MISE EN GARDE :** Pendant que la lame de scie circulaire tourne, n'effectuez aucun réglage sur l'outil en tournant le manche, les leviers, la broche de blocage, etc. L'exécution d'un réglage pendant que la lame de scie circulaire tourne peut entraîner une grave blessure.

**AVIS :** Avant l'utilisation, veillez à déverrouiller la broche de blocage et à libérer la poignée de la position abaissée.

**AVIS :** Pendant la coupe, n'appliquez pas une pression excessive sur la poignée. L'application d'une trop grande force peut entraîner une surcharge du moteur et/ou réduire la capacité de coupe. Abaissez la poignée en ne lui appliquant que la force nécessaire pour obtenir une coupe en douceur et sans décélération excessive de la lame.

**AVIS :** Abaissez doucement la poignée pour effectuer la coupe. Si la poignée est abaissée avec force ou si une force latérale lui est appliquée, la lame de scie circulaire risque de vibrer et de laisser une marque (trace de scie) dans la pièce, et la précision de la coupe risque d'être affectée.

**AVIS :** Lors d'une coupe en glissière, poussez doucement le chariot vers les gardes de guidage sans arrêter. Si le mouvement du chariot est interrompu pendant la coupe, cela risque de laisser une marque sur la pièce et d'affecter la précision de la coupe.

## Coupe sous presse

**▲ MISE EN GARDE :** Verrouillez toujours le glissement du chariot pendant l'exécution d'une coupe sous presse. Effectuer la coupe sans le verrouillage peut causer un rebond et vous blesser grièvement.

Des pièces jusqu'à 70 mm (2-3/4") de hauteur et 92 mm (3-5/8") de largeur peuvent être coupées comme suit.

1. Poussez le chariot vers les gardes de guidage jusqu'à ce qu'il s'arrête, et verrouillez-le avec la broche de blocage.
2. Fixez la pièce avec le bon type d'étau.
3. Démarrez l'outil alors que la lame de scie circulaire ne touche aucune surface, et attendez que la lame ait atteint sa pleine vitesse avant de l'abaisser.
4. Descendez doucement la poignée jusqu'à la position complètement abaissée pour couper la pièce.
5. Une fois la coupe terminée, éteignez l'outil et attendez l'arrêt complet de la lame de scie circulaire avant de remettre la lame sur sa position la plus haute.

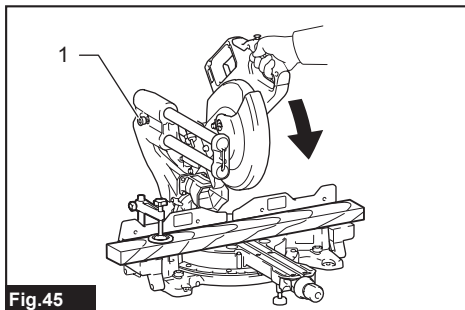


Fig.45

► 1. Broche de blocage



## Coupe en glissière (poussée) (coupe de grandes pièces)

**⚠ MISE EN GARDE :** Avant d'effectuer une coupe en glissière, commencez par tirer complètement le chariot vers vous et abaissez complètement la poignée, puis poussez le chariot vers le garde de guidage. Ne commencez jamais la coupe sans d'abord tirer le chariot complètement vers vous. Si vous effectuez la coupe en glissière alors que le chariot n'est pas tiré complètement vers vous, vous risquez de provoquer un rebond inattendu et de subir une grave blessure.

**⚠ MISE EN GARDE :** N'essayez jamais d'effectuer une coupe en glissière en tirant le chariot vers vous. En tirant le chariot vers vous pendant la coupe, vous risqueriez de provoquer un rebond inattendu et de subir une grave blessure.

**⚠ MISE EN GARDE :** N'effectuez jamais une coupe en glissière lorsque la poignée est verrouillée en position abaissée.

1. Déverrouillez les broches de blocage pour que le chariot puisse être élevé et glissé librement.
2. Fixez la pièce avec le bon type d'étau.
3. Tirez complètement le chariot vers vous.
4. Démarrez l'outil alors que la lame de scie circulaire ne touche aucune surface, et attendez que la lame ait atteint sa pleine vitesse.
5. Abaissez la poignée et poussez le chariot vers les gardes de guidage et à travers la pièce.
6. Une fois la coupe terminée, éteignez l'outil et attendez l'arrêt complet de la lame de scie circulaire avant de remettre la lame sur sa position la plus haute.

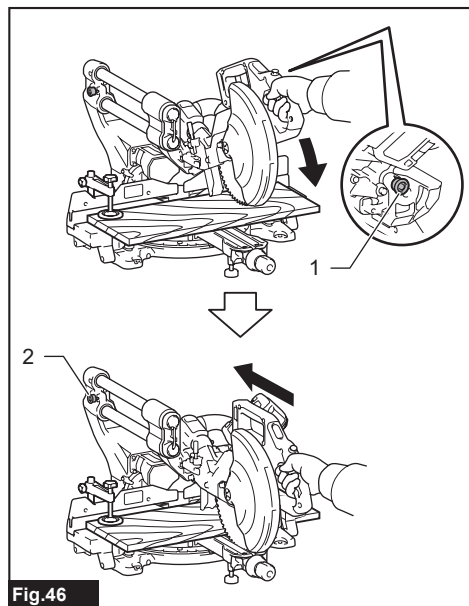


Fig.46

1. Broche de blocage pour verrou de la poignée
2. Broche de blocage pour verrou de glissement

## Coupe d'onglet

Reportez-vous à la section sur le réglage de l'angle de coupe d'onglet.

## Coupe en biseau

**⚠ MISE EN GARDE :** Avant d'utiliser l'outil suite au réglage de la lame de scie circulaire pour une coupe en biseau, assurez-vous que rien n'entrave la course du chariot et de la lame sur toute la longueur de la coupe prévue. Si la course du chariot ou de la lame de scie circulaire est entravée au cours d'une opération de coupe, il y a risque de recul et de grave blessure.

**⚠ MISE EN GARDE :** Lorsque vous effectuez une coupe en biseau, gardez les mains hors de la trajectoire de la lame de scie circulaire. L'angle de la lame de scie circulaire peut induire l'opérateur en erreur quant au trajet de la lame lors de la coupe et entraîner une grave blessure au contact de la lame.

**⚠ MISE EN GARDE :** Vous ne devez pas relever la lame de scie circulaire avant son arrêt complet. Au cours d'une coupe en biseau, la partie découpée de la pièce peut exercer une pression sur la lame de scie circulaire. Si vous relevez la lame de scie circulaire alors qu'elle tourne, la partie découpée de la pièce peut être éjectée par la lame, fragmenter le matériau et entraîner une grave blessure.

**AVIS :** Lorsque vous abaissez la poignée, appliquez la pression parallèlement à la lame de scie circulaire. Si une force est appliquée de façon perpendiculaire au socle rotatif ou si le sens de la pression est modifié au cours d'une coupe, la précision de cette dernière en sera affectée.

1. Retirez le garde supérieur du côté où vous inclinez le chariot.
2. Déverrouillez les broches de blocage pour que le chariot puisse être élevé et glissé librement.
3. Réglez l'angle de coupe en biseau en suivant la procédure expliquée à la section sur le réglage de l'angle de coupe en biseau. Serrez ensuite le cadran du manche.
4. Immobilisez la pièce avec un étau.
5. Tirez complètement le chariot vers vous.
6. Démarrez l'outil alors que la lame de scie circulaire ne touche aucune surface, et attendez que la lame ait atteint sa pleine vitesse.
7. Abaissez doucement la poignée sur la position la plus basse tout en appliquant une pression parallèle à la lame de scie circulaire, et poussez le chariot vers les gardes de guidage pour couper la pièce.



8. Une fois la coupe terminée, éteignez l'outil et attendez l'arrêt complet de la lame de scie circulaire avant de remettre la lame sur sa position la plus haute.

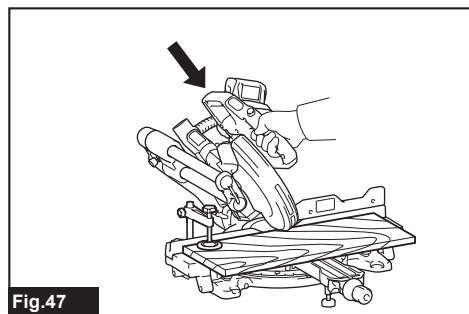


Fig.47

## Coupe mixte

La coupe mixte consiste à effectuer en même temps une coupe en biseau et une coupe d'onglet sur une pièce. La coupe mixte est possible pour les angles indiqués dans le tableau.

| Angle de coupe d'onglet       | Angle de coupe en biseau      |
|-------------------------------|-------------------------------|
| 0° - 45° à gauche et à droite | 0° - 45° à gauche et à droite |

Pour effectuer une coupe mixte, référez-vous aux sections sur la coupe sous presse, la coupe en glissière (poussée), la coupe d'onglet et la coupe en biseau.

## Coupe de moulures couronnées et concaves

Les moulures couronnées et concaves peuvent être coupées avec une scie radiale, en les déposant à plat sur le socle rotatif.

Il existe deux types communs de moulures couronnées et un type de moulure concave, à savoir : les moulures couronnées pour angles de murs respectifs de 52/38° et 45°, et les moulures concaves pour angle de mur de 45°.

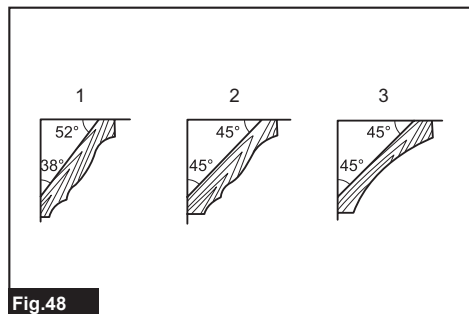
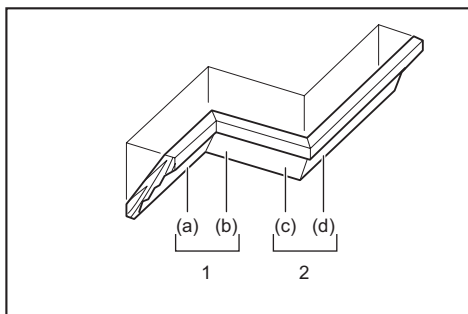


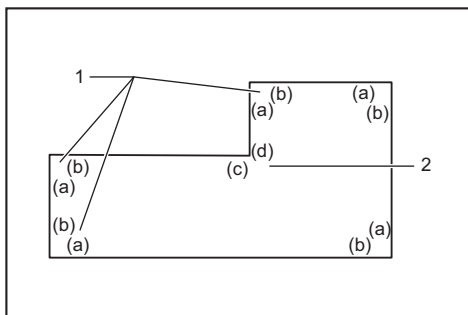
Fig.48

► 1. Moulure couronnée de type 52/38° 2. Moulure couronnée de type 45° 3. Moulure concave de type 45°

Il existe des joints de moulures couronnées et concaves qui s'adaptent aux coins « intérieurs » de 90° (a) et (b) sur l'illustration) et aux coins « extérieurs » de 90° ((c) et (d) sur l'illustration).



1. Coin intérieur 2. Coin extérieur



1. Coin intérieur 2. Coin extérieur

## Mesure

Mesurez la largeur du mur, et ajustez en conséquence la largeur de la pièce. Assurez-vous toujours que la largeur du bord de la pièce en contact avec le mur est identique à la longueur du mur.

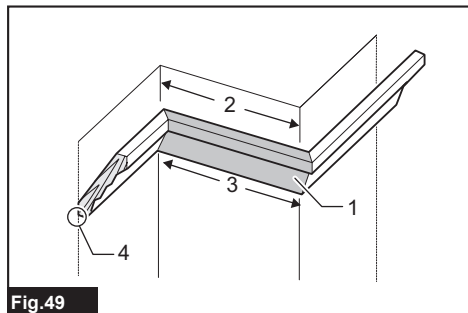
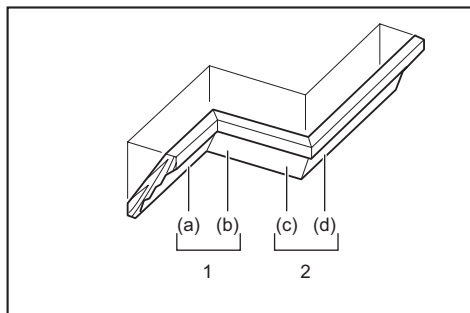


Fig.49

► 1. Pièce à travailler 2. Largeur du mur 3. Largeur de la pièce 4. Bord en contact avec le mur

Vérifiez toujours les angles de coupe de la scie en effectuant des essais sur quelques morceaux. Lorsque vous coupez des moulures couronnées et concaves, réglez l'angle de coupe en biseau et l'angle de coupe d'onglet tel qu'indiqué dans le tableau (A) et placez les moulures sur la face supérieure du socle de la scie, tel qu'indiqué dans le tableau (B).

## Dans le cas d'une coupe en biseau sur la gauche



1. Coin intérieur 2. Coin extérieur

Tableau (A)

| -                   | Position de la moulure sur l'illustration | Angle de coupe en biseau |              | Angle de coupe d'onglet |                |
|---------------------|---|--------------------------|--------------|-------------------------|----------------|
|                     |   | Type 52/38°              | Type 45°     | Type 52/38°             | Type 45°       |
| Pour coin intérieur | (a)                                       | 33,9° à gauche           | 30° à gauche | 31,6° à droite          | 35,3° à droite |
|                     | (b)                                       |                          |              | 31,6° à gauche          | 35,3° à gauche |
| Pour coin extérieur | (c)                                       |                          |              | 31,6° à droite          | 35,3° à droite |
|                     | (d)                                       |                          |              | 31,6° à droite          | 35,3° à droite |

Tableau (B)

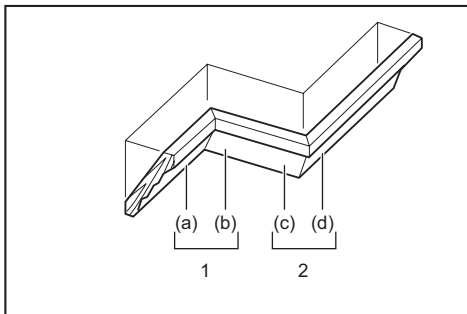
| -                   | Position de la moulure sur l'illustration | Bord de la moulure contre le garde de guidage                            | Pièce terminée                                    |
|---------------------|---|--|---|
| Pour coin intérieur | (a)                                       | Le bord de contact avec le plafond doit être contre le garde de guidage. | La pièce terminée sera du côté gauche de la lame. |
|                     | (b)                                       |  |   |
| Pour coin extérieur | (c)                                       | Le bord de contact avec le mur doit être contre le garde de guidage.     | La pièce terminée sera du côté droit de la lame.  |
|                     | (d)                                       | Le bord de contact avec le plafond doit être contre le garde de guidage. |   |

Exemple :

Dans le cas de la coupe d'une moulure couronnée de type 52/38° pour la position (a) de l'illustration ci-dessus :

- Inclinez l'angle de coupe en biseau et immobilisez-le sur 33,9° vers la GAUCHE.
- Réglez l'angle de coupe d'onglet et immobilisez-le sur 31,6° vers la DROITE.
- Déposez sur le socle rotatif la moulure couronnée, face arrière large (cachée) orientée vers le bas, et en plaçant le BORD DE CONTACT AVEC LE PLAFOND contre le garde de guidage de la scie.
- La partie finie de la pièce à utiliser doit toujours être du côté GAUCHE de la lame de scie circulaire une fois la coupe terminée.

## Dans le cas d'une coupe en biseau sur la droite



1. Coin intérieur 2. Coin extérieur

Tableau (A)

| -                   | Position de la moulure sur l'illustration | Angle de coupe en biseau |              | Angle de coupe d'onglet |                |
|---------------------|---|--------------------------|--------------|-------------------------|----------------|
|                     |   | Type 52/38°              | Type 45°     | Type 52/38°             | Type 45°       |
| Pour coin intérieur | (a)                                       | 33,9° à droite           | 30° à droite | 31,6° à droite          | 35,3° à droite |
|                     | (b)                                       |                          |              | 31,6° à gauche          | 35,3° à gauche |
| Pour coin extérieur | (c)                                       |                          |              | 31,6° à droite          | 35,3° à droite |
|                     | (d)                                       |                          |              | 31,6° à droite          | 35,3° à droite |

**Tableau (B)**

| –                   | Position de la moulure sur l'illustration | Bord de la moulure contre le garde de guidage                            | Pièce terminée                                    |
|---------------------|---|--|---|
| Pour coin intérieur | (a)                                       | Le bord de contact avec le mur doit être contre le garde de guidage.     | La pièce terminée sera du côté droit de la lame.  |
|                     | (b)                                       | Le bord de contact avec le plafond doit être contre le garde de guidage. |   |
| Pour coin extérieur | (c)                                       | Le bord de contact avec le mur doit être contre le garde de guidage.     | La pièce terminée sera du côté gauche de la lame. |
|                     | (d)                                       | Le bord de contact avec le mur doit être contre le garde de guidage.     |   |

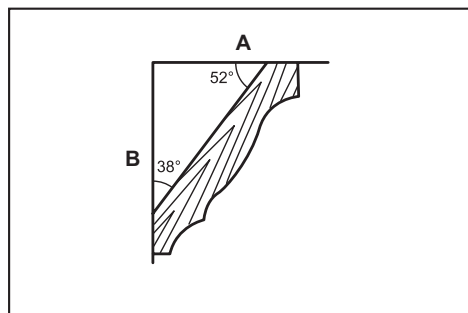
Exemple :

Dans le cas de la coupe d'une moulure couronnée de type 52/38° pour la position (a) de l'illustration ci-dessus :

- Inclinez l'angle de coupe en biseau et immobilisez-le sur 33,9° à DROITE.
- Réglez l'angle de coupe d'onglet et immobilisez-le sur 31,6° vers la DROITE.
- Déposez sur le socle rotatif la moulure couronnée, face arrière large (cachée) orientée vers le bas, et en plaçant le BORD DE CONTACT AVEC LE MUR contre le garde de guidage de la scie.
- La partie finie de la pièce à utiliser doit toujours être du côté DROIT de la lame de scie circulaire une fois la coupe terminée.

# Réglages d'angles combinés de coupe d'onglet et de coupe en biseau

Angle de la moulure couronnée par rapport au mur : 52°/38°



| 1   | 2    | 3    |
|-----|------|------|
| 60  | 43.0 | 46.8 |
| 61  | 42.8 | 46.3 |
| 62  | 42.5 | 45.7 |
| 63  | 42.2 | 45.1 |
| 64  | 41.9 | 44.6 |
| 65  | 41.7 | 44.0 |
| 66  | 41.4 | 43.5 |
| 67  | 41.1 | 42.9 |
| 68  | 40.8 | 42.4 |
| 69  | 40.5 | 41.9 |
| 70  | 40.2 | 41.3 |
| 71  | 39.9 | 40.8 |
| 72  | 39.6 | 40.3 |
| 73  | 39.3 | 39.8 |
| 74  | 39.0 | 39.2 |
| 75  | 38.7 | 38.7 |
| 76  | 38.4 | 38.2 |
| 77  | 38.1 | 37.7 |
| 78  | 37.8 | 37.2 |
| 79  | 37.4 | 36.8 |
| 80  | 37.1 | 36.3 |
| 81  | 36.8 | 35.8 |
| 82  | 36.5 | 35.3 |
| 83  | 36.2 | 34.8 |
| 84  | 35.8 | 34.4 |
| 85  | 35.5 | 33.9 |
| 86  | 35.2 | 33.4 |
| 87  | 34.9 | 33.0 |
| 88  | 34.5 | 32.5 |
| 89  | 34.2 | 32.1 |
| 90  | 33.9 | 31.6 |
| 91  | 33.5 | 31.2 |
| 92  | 33.2 | 30.7 |
| 93  | 32.8 | 30.3 |
| 94  | 32.5 | 29.9 |
| 95  | 32.2 | 29.4 |
| 96  | 31.8 | 29.0 |
| 97  | 31.5 | 28.6 |
| 98  | 31.1 | 28.2 |
| 99  | 30.8 | 27.7 |
| 100 | 30.4 | 27.3 |

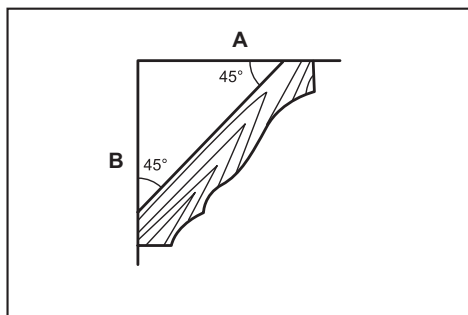
| 1   | 2    | 3    |
|-----|------|------|
| 101 | 30.1 | 26.9 |
| 102 | 29.7 | 26.5 |
| 103 | 29.4 | 26.1 |
| 104 | 29.0 | 25.7 |
| 105 | 28.7 | 25.3 |
| 106 | 28.3 | 24.9 |
| 107 | 28.0 | 24.5 |
| 108 | 27.6 | 24.1 |
| 109 | 27.2 | 23.7 |
| 110 | 26.9 | 23.3 |
| 111 | 26.5 | 22.9 |
| 112 | 26.1 | 22.6 |
| 113 | 25.8 | 22.2 |
| 114 | 25.4 | 21.8 |
| 115 | 25.0 | 21.4 |
| 116 | 24.7 | 21.0 |
| 117 | 24.3 | 20.7 |
| 118 | 23.9 | 20.3 |
| 119 | 23.6 | 19.9 |
| 120 | 23.2 | 19.6 |
| 121 | 22.8 | 19.2 |
| 122 | 22.5 | 18.8 |
| 123 | 22.1 | 18.5 |
| 124 | 21.7 | 18.1 |
| 125 | 21.3 | 17.8 |
| 126 | 21.0 | 17.4 |
| 127 | 20.6 | 17.1 |
| 128 | 20.2 | 16.7 |
| 129 | 19.8 | 16.4 |
| 130 | 19.5 | 16.0 |
| 131 | 19.1 | 15.7 |
| 132 | 18.7 | 15.3 |
| 133 | 18.3 | 15.0 |
| 134 | 17.9 | 14.6 |
| 135 | 17.6 | 14.3 |
| 136 | 17.2 | 14.0 |
| 137 | 16.8 | 13.6 |
| 138 | 16.4 | 13.3 |
| 139 | 16.0 | 13.0 |
| 140 | 15.6 | 12.8 |

| 1   | 2    | 3    |
|-----|------|------|
| 141 | 15.3 | 12.3 |
| 142 | 14.9 | 12.0 |
| 143 | 14.5 | 11.6 |
| 144 | 14.1 | 11.3 |
| 145 | 13.7 | 11.0 |
| 146 | 13.3 | 10.7 |
| 147 | 12.9 | 10.3 |
| 148 | 12.5 | 10.0 |
| 149 | 12.2 | 9.7  |
| 150 | 11.8 | 9.4  |
| 151 | 11.4 | 9.0  |
| 152 | 11.0 | 8.7  |
| 153 | 10.8 | 8.4  |
| 154 | 10.2 | 8.1  |
| 155 | 9.8  | 7.8  |
| 156 | 9.4  | 7.5  |
| 157 | 9.0  | 7.1  |
| 158 | 8.6  | 6.8  |
| 159 | 8.3  | 6.5  |
| 160 | 7.9  | 6.2  |
| 161 | 7.5  | 5.9  |
| 162 | 7.1  | 5.6  |
| 163 | 6.7  | 5.3  |
| 164 | 6.3  | 4.9  |
| 165 | 5.9  | 4.6  |
| 166 | 5.5  | 4.3  |
| 167 | 5.1  | 4.0  |
| 168 | 4.7  | 3.7  |
| 169 | 4.3  | 3.4  |
| 170 | 3.9  | 3.1  |
| 171 | 3.5  | 2.8  |
| 172 | 3.2  | 2.5  |
| 173 | 2.8  | 2.2  |
| 174 | 2.4  | 1.8  |
| 175 | 2.0  | 1.5  |
| 176 | 1.6  | 1.2  |
| 177 | 1.2  | 0.9  |
| 178 | 0.8  | 0.6  |
| 179 | 0.4  | 0.3  |
| 180 | 0.0  | 0.0  |

A Côté plafond B Côté mur

1. Angle du mur (degrés) 2. Angle de coupe en biseau (degrés) 3. Angle de coupe d'onglet (degrés)

Angle de la moulure couronnée par rapport au mur : 45°



|     | 1    | 2    | 3 |
|-----|------|------|---|
| 60  | 37.8 | 50.8 |   |
| 61  | 37.5 | 50.2 |   |
| 62  | 37.3 | 49.6 |   |
| 63  | 37.1 | 49.1 |   |
| 64  | 36.8 | 48.5 |   |
| 65  | 36.6 | 48.0 |   |
| 66  | 36.4 | 47.4 |   |
| 67  | 36.1 | 46.9 |   |
| 68  | 35.9 | 46.4 |   |
| 69  | 35.6 | 45.8 |   |
| 70  | 35.4 | 45.3 |   |
| 71  | 35.1 | 44.8 |   |
| 72  | 34.9 | 44.2 |   |
| 73  | 34.6 | 43.7 |   |
| 74  | 34.4 | 43.2 |   |
| 75  | 34.1 | 42.7 |   |
| 76  | 33.9 | 42.1 |   |
| 77  | 33.6 | 41.6 |   |
| 78  | 33.3 | 41.1 |   |
| 79  | 33.1 | 40.6 |   |
| 80  | 32.8 | 40.1 |   |
| 81  | 32.5 | 39.6 |   |
| 82  | 32.3 | 39.1 |   |
| 83  | 32.0 | 38.6 |   |
| 84  | 31.7 | 38.1 |   |
| 85  | 31.4 | 37.7 |   |
| 86  | 31.1 | 37.2 |   |
| 87  | 30.9 | 36.7 |   |
| 88  | 30.6 | 36.2 |   |
| 89  | 30.3 | 35.7 |   |
| 90  | 30.0 | 35.3 |   |
| 91  | 29.7 | 34.8 |   |
| 92  | 29.4 | 34.3 |   |
| 93  | 29.1 | 33.9 |   |
| 94  | 28.8 | 33.4 |   |
| 95  | 28.5 | 32.9 |   |
| 96  | 28.2 | 32.5 |   |
| 97  | 27.9 | 32.0 |   |
| 98  | 27.6 | 31.6 |   |
| 99  | 27.3 | 31.1 |   |
| 100 | 27.0 | 30.7 |   |

|     | 1    | 2    | 3 |
|-----|------|------|---|
| 101 | 26.7 | 30.2 |   |
| 102 | 26.4 | 29.8 |   |
| 103 | 26.1 | 29.4 |   |
| 104 | 25.8 | 28.9 |   |
| 105 | 25.5 | 28.5 |   |
| 106 | 25.2 | 28.1 |   |
| 107 | 24.9 | 27.6 |   |
| 108 | 24.6 | 27.2 |   |
| 109 | 24.2 | 26.8 |   |
| 110 | 23.9 | 26.3 |   |
| 111 | 23.6 | 25.9 |   |
| 112 | 23.3 | 25.5 |   |
| 113 | 23.0 | 25.1 |   |
| 114 | 22.7 | 24.7 |   |
| 115 | 22.3 | 24.3 |   |
| 116 | 22.0 | 23.8 |   |
| 117 | 21.7 | 23.4 |   |
| 118 | 21.4 | 23.0 |   |
| 119 | 21.0 | 22.6 |   |
| 120 | 20.7 | 22.2 |   |
| 121 | 20.4 | 21.8 |   |
| 122 | 20.0 | 21.4 |   |
| 123 | 19.7 | 21.0 |   |
| 124 | 19.4 | 20.6 |   |
| 125 | 19.1 | 20.2 |   |
| 126 | 18.7 | 19.8 |   |
| 127 | 18.4 | 19.4 |   |
| 128 | 18.1 | 19.0 |   |
| 129 | 17.7 | 18.6 |   |
| 130 | 17.4 | 18.2 |   |
| 131 | 17.1 | 17.9 |   |
| 132 | 16.7 | 17.5 |   |
| 133 | 16.4 | 17.1 |   |
| 134 | 16.0 | 16.7 |   |
| 135 | 15.7 | 16.3 |   |
| 136 | 15.4 | 15.9 |   |
| 137 | 15.0 | 15.6 |   |
| 138 | 14.7 | 15.2 |   |
| 139 | 14.3 | 14.8 |   |
| 140 | 14.0 | 14.4 |   |

|     | 1    | 2    | 3 |
|-----|------|------|---|
| 141 | 13.7 | 14.1 |   |
| 142 | 13.3 | 13.7 |   |
| 143 | 13.0 | 13.3 |   |
| 144 | 12.6 | 12.9 |   |
| 145 | 12.3 | 12.6 |   |
| 146 | 11.9 | 12.2 |   |
| 147 | 11.6 | 11.8 |   |
| 148 | 11.2 | 11.5 |   |
| 149 | 10.9 | 11.1 |   |
| 150 | 10.5 | 10.7 |   |
| 151 | 10.2 | 10.4 |   |
| 152 | 9.8  | 10.0 |   |
| 153 | 9.5  | 9.6  |   |
| 154 | 9.2  | 9.3  |   |
| 155 | 8.8  | 8.9  |   |
| 156 | 8.5  | 8.5  |   |
| 157 | 8.1  | 8.2  |   |
| 158 | 7.8  | 7.8  |   |
| 159 | 7.4  | 7.5  |   |
| 160 | 7.1  | 7.1  |   |
| 161 | 6.7  | 6.7  |   |
| 162 | 6.4  | 6.4  |   |
| 163 | 6.0  | 6.0  |   |
| 164 | 5.6  | 5.7  |   |
| 165 | 5.3  | 5.3  |   |
| 166 | 4.9  | 5.0  |   |
| 167 | 4.6  | 4.6  |   |
| 168 | 4.2  | 4.3  |   |
| 169 | 3.9  | 3.9  |   |
| 170 | 3.5  | 3.5  |   |
| 171 | 3.2  | 3.2  |   |
| 172 | 2.8  | 2.8  |   |
| 173 | 2.5  | 2.5  |   |
| 174 | 2.1  | 2.1  |   |
| 175 | 1.8  | 1.8  |   |
| 176 | 1.4  | 1.4  |   |
| 177 | 1.1  | 1.1  |   |
| 178 | 0.7  | 0.7  |   |
| 179 | 0.4  | 0.4  |   |
| 180 | 0.0  | 0.0  |   |

A Côté plafond B Côté mur

1. Angle du mur (degrés) 2. Angle de coupe en biseau (degrés) 3. Angle de coupe d'onglet (degrés)

## Coupe des profilés d'aluminium

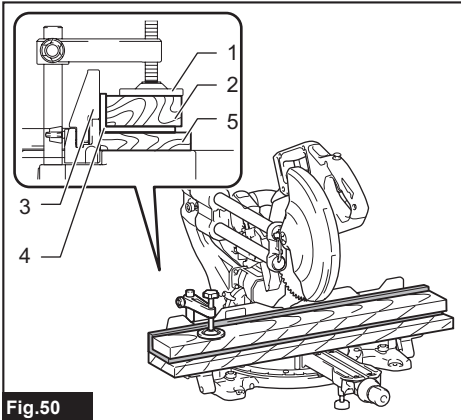


Fig.50

- 1. Étau 2. Cale d'espacement 3. Garde de guidage  
4. Profilé d'aluminium 5. Cale d'espacement

Pour immobiliser les profilés d'aluminium, utilisez des cales d'espacement ou des retailles de bois, tel qu'illustré, pour prévenir la déformation de l'aluminium. Utilisez un lubrifiant de coupe lorsque vous coupez un profilé d'aluminium, pour prévenir l'accumulation de particules d'aluminium sur la lame de scie circulaire.

**⚠ MISE EN GARDE : N'essayez jamais de couper les profilés d'aluminium épais ou ronds.** Les profilés d'aluminium épais ou ronds peuvent être difficiles à fixer et peuvent se desserrer pendant la coupe, ce qui peut entraîner une perte de maîtrise de l'outil et vous blesser gravement.

## Rainurage

**⚠ MISE EN GARDE : N'essayez pas d'effectuer ce type de coupe au moyen d'une lame plus large ou d'une lame à rainurer.** Si vous tentez de rainurer avec une lame plus large ou une lame à rainurer, les résultats de la coupe ne peuvent être garantis, et vous risquez de provoquer un rebond et de subir une grave blessure.

**⚠ MISE EN GARDE : Assurez-vous d'avoir remis le bras de blocage sur sa position initiale avant d'effectuer un autre type de coupe que le rainurage.** Si vous tentez de faire une coupe alors que le bras de blocage n'est pas dans la bonne position, les résultats de la coupe ne peuvent être garantis, et vous risquez de provoquer un rebond et de subir une grave blessure.

Pour rainurer, procédez comme suit :

1. Ajustez la position limite inférieure de la lame de scie circulaire au moyen de la vis de réglage et du bras de blocage pour limiter la profondeur de coupe de la lame. Reportez-vous à la section sur le bras de blocage.

2. Après le réglage de la position limite inférieure de la lame de scie circulaire, pratiquez des rainures parallèles sur la largeur de la pièce à travailler, en procédant par coupe en glissière (poussée).

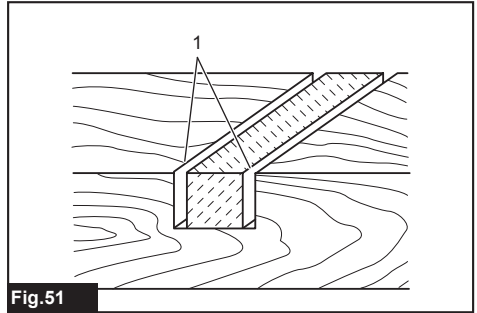


Fig.51

- 1. Rainures pratiquées avec la lame

3. Retirez le matériau resté entre les rainures de la pièce, au moyen d'un ciseau.

## Transport de l'outil

Avant de transporter l'outil, pensez à retirer la batterie et assurez-vous que tous les composants mobiles de la scie à coupe d'onglet sont fixés. Vérifiez toujours ce qui suit :

- La batterie est retirée.
- Le chariot est placé sur un angle de coupe en biseau 0° et verrouillé.
- Le chariot est abaissé et verrouillé.
- Le chariot est complètement glissé jusqu'aux gardes de guidage et verrouillé.
- Le socle rotatif est placé sur l'angle de coupe d'onglet complètement à droite et fixé.
- Les sous-socles sont rangés et fixés.

Tenez l'outil par sa poignée ou par les deux côtés de son socle pour le transporter.

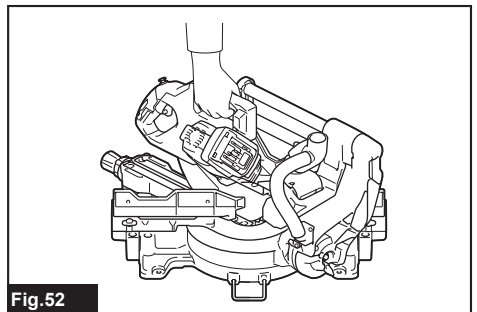


Fig.52

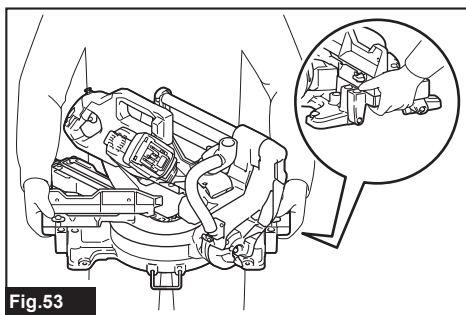


Fig. 53

**MISE EN GARDE** : La broche de blocage pour l'élevation du chariot est prévue uniquement pour le transport et le rangement, et non pour l'exécution des coupes. L'utilisation de la broche de blocage pour les travaux de coupe peut causer un mouvement inattendu de la lame de scie circulaire résultant en un recul et une grave blessure.

**ATTENTION** : Fixez toujours tous les composants mobiles de l'outil avant de le transporter. Si des composants de l'outil bougent ou glissent lors de son transport, vous risquez de perdre la maîtrise de l'outil ou l'équilibre, et de vous blesser.

**ATTENTION** : Assurez-vous que la broche de blocage verrouille bien l'élevation du chariot à sa base. Si la broche de blocage n'est pas bien engagée, le chariot risque de sauter vers le haut soudainement et d'entraîner une blessure.

## FONCTION D'ACTIVATION SANS FIL

### Ce que vous pouvez faire avec la fonction d'activation sans fil

La fonction d'activation sans fil permet une utilisation propre et confortable. En raccordant un aspirateur compatible à l'outil, vous pouvez activer l'aspirateur automatiquement lorsque vous utilisez l'interrupteur de l'outil.

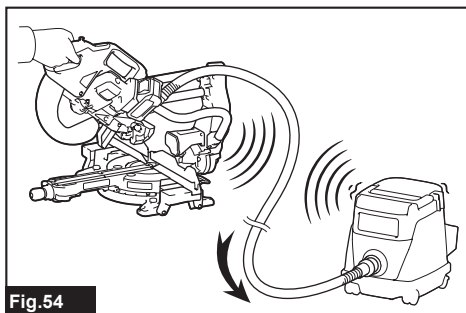


Fig. 54

Pour utiliser la fonction d'activation sans fil, préparez les éléments suivants :

- Une unité sans fil (accessoire en option)
- Un aspirateur compatible avec la fonction d'activation sans fil

Le réglage de la fonction d'activation sans fil est résumé ci-dessous. Pour les procédures détaillées, reportez-vous à chacune des sections.

1. Installer l'unité sans fil
2. Enregistrement d'outil pour l'aspirateur
3. Démarrer la fonction d'activation sans fil

### Installer l'unité sans fil

#### Accessoire en option

**ATTENTION** : Mettez l'outil sur une surface plane et stable lorsque vous installez l'unité sans fil.

**AVIS** : Avant d'installer l'unité sans fil, enlevez les poussières et saletés sur l'outil. Les poussières ou saletés peuvent causer un dysfonctionnement si elles pénètrent dans la fente de l'unité sans fil.

**AVIS** : Pour éviter que l'électricité statique ne cause un dysfonctionnement, ne prenez l'unité sans fil qu'après avoir touché un objet qui éliminera l'électricité statique, par exemple, une partie métallique de l'outil.

**AVIS** : Lorsque vous installez l'unité sans fil, assurez-vous toujours qu'elle est insérée dans le bon sens et que le couvercle est complètement fermé.

1. Ouvrez le couvercle sur l'outil, tel qu'indiqué sur la figure.

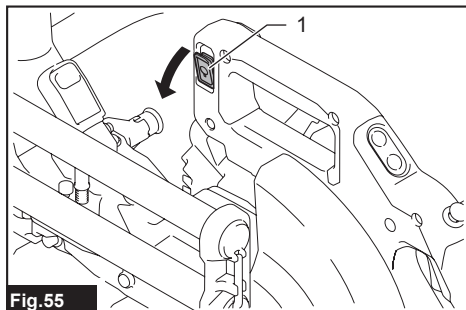


Fig. 55

- ▶ 1. Couvercle

2. Insérez l'unité sans fil dans la fente, puis fermez le couvercle.

Lors de l'insertion de l'unité sans fil, alignez les parties saillantes sur les parties creuses de la fente.

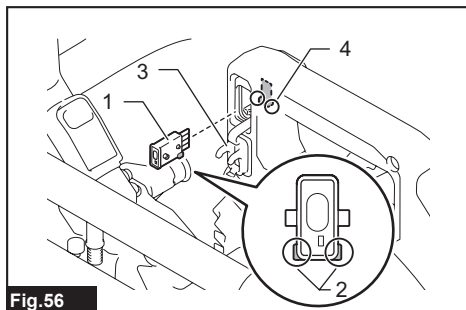


Fig. 56

- ▶ 1. Unité sans fil 2. Partie saillante 3. Couvercle 4. Partie creuse



Lorsque vous retirez l'unité sans fil, ouvrez lentement le couvercle. Les crochets à l'arrière du couvercle soulèveront l'unité sans fil à mesure que vous tirerez le couvercle vers le haut.

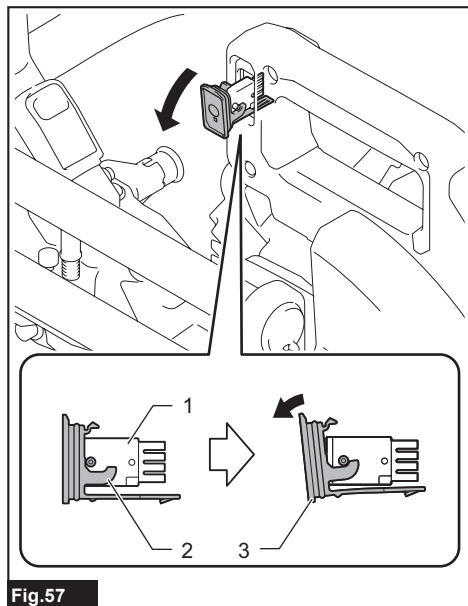


Fig.57

► 1. Unité sans fil 2. Crochet 3. Couvercle

Après avoir retiré l'unité sans fil, gardez-la dans le boîtier fourni ou dans un contenant antistatique.

**AVIS : Utilisez toujours les crochets à l'arrière du couvercle lorsque vous retirez l'unité sans fil. Si les crochets ne saisissent pas l'unité sans fil, fermez complètement le couvercle et rouvrez-le lentement.**

## Enregistrement d'outil pour l'aspirateur

**NOTE :** Un aspirateur Makita compatible avec la fonction d'activation sans fil est nécessaire pour l'enregistrement d'outil.

**NOTE :** Terminez l'installation de l'unité sans fil sur l'outil avant de commencer l'enregistrement d'outil.

**NOTE :** Évitez de mettre les interrupteurs suivants en position de marche pendant l'enregistrement d'outil :

- la gâchette sur l'outil
- l'interrupteur d'aspiration sur l'outil
- l'interrupteur d'alimentation sur l'aspirateur

**NOTE :** Reportez-vous également au manuel d'instructions de l'aspirateur.

Terminez l'enregistrement d'outil à l'avance, si vous souhaitez que l'aspirateur soit activé lors de l'utilisation de l'interrupteur de l'outil.

1. Installez les batteries dans l'aspirateur et l'outil.

2. Mettez l'interrupteur d'attente de l'aspirateur sur « AUTO ».

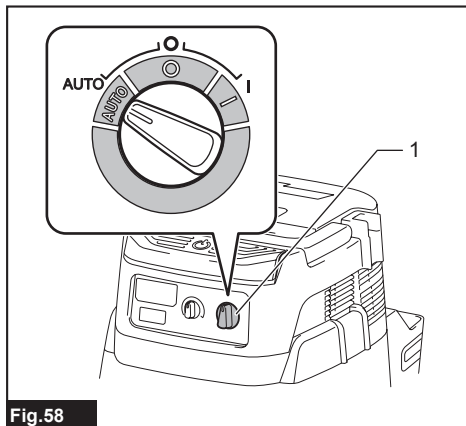


Fig.58

► 1. Interrupteur d'attente

3. Appuyez pendant 3 secondes sur le bouton d'activation sans fil sur l'aspirateur, jusqu'à ce que le témoin d'activation sans fil clignote en vert. Appuyez ensuite de la même manière sur le bouton d'activation sans fil sur l'outil.

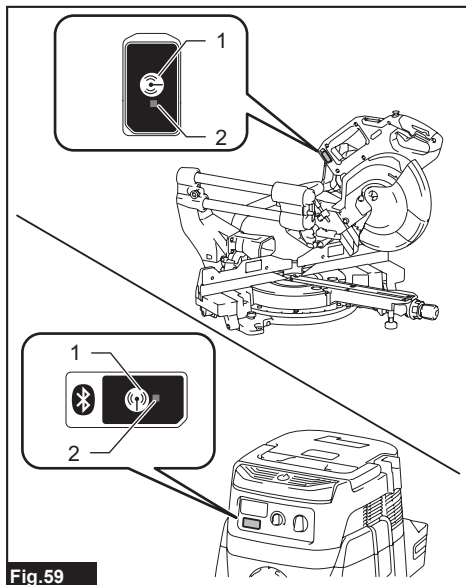


Fig.59

► 1. Bouton d'activation sans fil 2. Témoin d'activation sans fil

Si la liaison s'établit entre l'aspirateur et l'outil, les témoins d'activation sans fil s'allument en vert pendant 2 secondes puis se mettent à clignoter en bleu.

**NOTE :** Les témoins d'activation sans fil cessent de clignoter en vert au bout de 20 secondes. Appuyez sur le bouton d'activation sans fil sur l'outil pendant que le témoin d'activation sans fil clignote sur l'aspirateur. Si le témoin d'activation sans fil ne clignote pas en vert, appuyez un court instant sur le bouton d'activation sans fil et maintenez-le enfoncé encore une fois.

**NOTE :** Lorsque vous effectuez deux enregistrements d'outil ou plus pour un aspirateur, achevez les enregistrements d'outil un à la fois.

## Démarrer la fonction d'activation sans fil

**NOTE :** Terminez l'enregistrement d'outil pour l'aspirateur avant d'effectuer l'activation sans fil.

**NOTE :** Reportez-vous également au manuel d'instructions de l'aspirateur.

Après l'enregistrement d'un outil sur l'aspirateur, ce dernier s'activera automatiquement lors de l'utilisation de l'interrupteur de l'outil. Appuyez sur la gâchette de l'outil pour activer l'aspirateur pendant l'exécution du travail. L'aspirateur démarre également lorsque vous appuyez sur le bouton d'aspiration sur l'outil en dehors de tout travail de coupe.

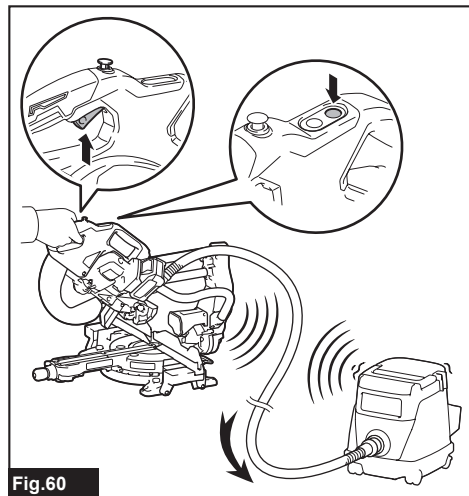


Fig.60

1. Installez l'unité sans fil sur l'outil.
2. Raccordez le tuyau de l'aspirateur à l'outil.

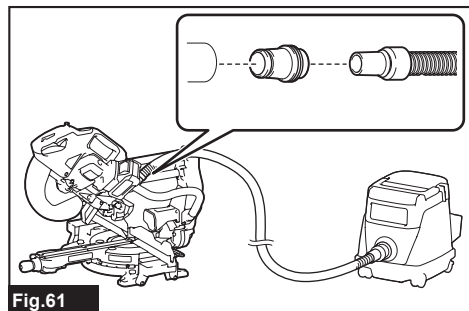


Fig.61

3. Mettez l'interrupteur d'attente de l'aspirateur sur « AUTO ».

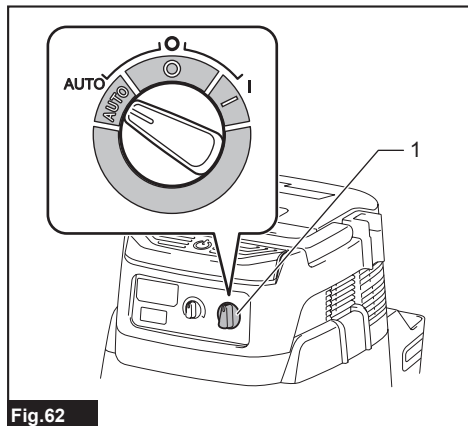


Fig.62

- 1. Interrupteur d'attente

4. Appuyez un court instant sur le bouton d'activation sans fil sur l'outil. Le témoin d'activation sans fil clignotera en bleu.

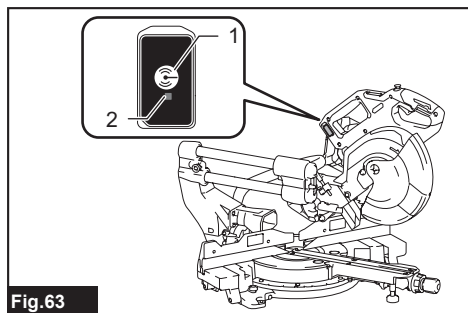


Fig.63

- 1. Bouton d'activation sans fil 2. Témoin d'activation sans fil

5. Appuyez sur la gâchette de l'outil. Vérifiez si l'aspirateur fonctionne pendant que vous appuyez sur la gâchette.
6. Appuyez sur le bouton d'aspiration pour activer l'aspirateur. Vérifiez que le témoin d'activation sans fil s'allume en bleu et que l'aspirateur continue de fonctionner jusqu'à ce que vous appuyiez de nouveau sur le bouton.
7. Pour arrêter l'aspiration, libérez la gâchette ou appuyez de nouveau sur le bouton d'aspiration. L'aspirateur s'arrête quelques secondes après la manipulation de l'interrupteur, puis le témoin se met à clignoter en bleu.

**NOTE :** L'état de l'interrupteur (activation/désactivation de l'aspirateur) peut être appris dans le témoin d'activation sans fil. Pour plus de détails, reportez-vous à la section de description de l'état du témoin d'activation sans fil.

8. Pour arrêter l'activation sans fil de l'aspirateur, appuyez sur le bouton d'activation sans fil sur l'outil.

**NOTE :** Le témoin d'activation sans fil cessera de clignoter en bleu sur l'outil après 2 heures de non-utilisation. Dans ce cas, mettez l'interrupteur d'attente de l'aspirateur sur « AUTO », et appuyez encore une fois sur le bouton d'activation sans fil sur l'outil.

**NOTE :** L'aspirateur démarre ou s'arrête avec un retard. Il y a un certain délai lorsque l'aspirateur détecte une utilisation de l'interrupteur de l'outil.

**NOTE :** La distance de transmission de l'unité sans fil peut varier suivant le lieu et les conditions environnantes.

**NOTE :** Lorsque deux outils ou plus sont enregistrés sur un aspirateur, celui-ci peut démarrer même si vous n'appuyez pas sur la gâchette ou n'activez pas le bouton d'aspiration, si un autre utilisateur utilise la fonction d'activation sans fil.

## Description de l'état du témoin d'activation sans fil

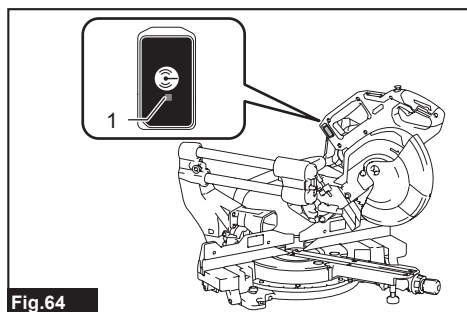


Fig.64

► 1. Témoin d'activation sans fil

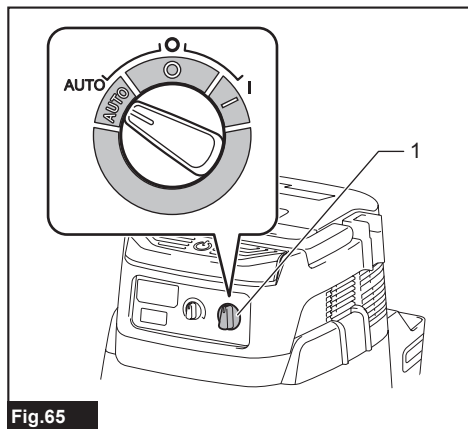
Le témoin d'activation sans fil indique l'état de la fonction d'activation sans fil. Reportez-vous au tableau suivant pour connaître la signification de l'état du témoin.

| État                             | Témoin d'activation sans fil |                                     |                                     | Durée                          | Description   |
|----------------------------------|------------------------------|-------------------------------------|-------------------------------------|--------------------------------|---|
|                                  | Couleur                      | <input type="checkbox"/> Allumé     | <input type="checkbox"/> Clignotant |                                |   |
| Attente                          | Bleu                         | <input checked="" type="checkbox"/> |                                     | 2 heures                       | L'activation sans fil de l'aspirateur est disponible. Le témoin s'éteindra automatiquement après 2 heures de non-utilisation. |
|                                  |                              | <input type="checkbox"/>            |                                     | Lorsque l'outil est en marche. | L'activation sans fil de l'aspirateur est disponible et l'outil est en marche.  |
| Enregistrement d'outil           | Vert                         | <input checked="" type="checkbox"/> |                                     | 20 secondes                    | Prêt pour l'enregistrement d'outil. Attente de l'enregistrement par l'aspirateur.   |
|                                  |                              | <input type="checkbox"/>            |                                     | 2 secondes                     | L'enregistrement d'outil est terminé. Le témoin d'activation sans fil se mettra à clignoter en bleu.                          |
| Annuler l'enregistrement d'outil | Rouge                        | <input checked="" type="checkbox"/> |                                     | 20 secondes                    | Prêt pour l'annulation de l'enregistrement d'outil. Attente de l'annulation par l'aspirateur.                                 |
|                                  |                              | <input type="checkbox"/>            |                                     | 2 secondes                     | L'annulation de l'enregistrement d'outil est terminée. Le témoin d'activation sans fil se mettra à clignoter en bleu.         |
| Autres                           | Rouge                        | <input type="checkbox"/>            |                                     | 3 secondes                     | L'alimentation est fournie à l'unité sans fil et la fonction d'activation sans fil démarre.                                   |
|                                  | Éteint                       | -                                   |                                     | -                              | L'activation sans fil de l'aspirateur s'arrête.   |

## Annuler l'enregistrement d'outil pour l'aspirateur

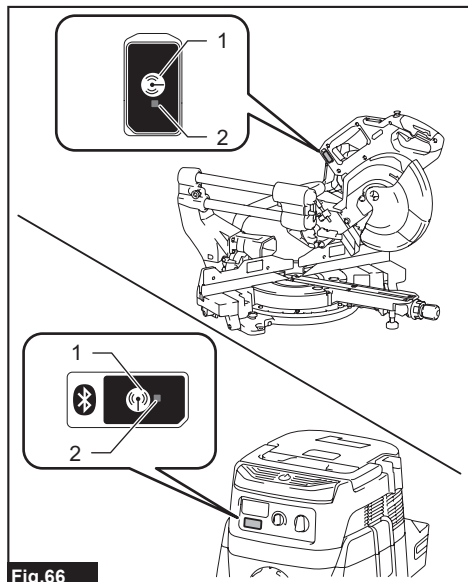
Procédez comme suit pour annuler l'enregistrement d'outil pour l'aspirateur.

1. Installez les batteries dans l'aspirateur et l'outil.
2. Mettez l'interrupteur d'attente de l'aspirateur sur « AUTO ».



- 1. Interrupteur d'attente

3. Appuyez sur le bouton d'activation sans fil sur l'aspirateur pendant 6 secondes. Le témoin d'activation sans fil clignote en vert puis devient rouge. Après cela, appuyez de la même manière sur le bouton d'activation sans fil sur l'outil.



- 1. Bouton d'activation sans fil 2. Témoin d'activation sans fil

Si l'annulation réussit, les témoins d'activation sans fil s'allument en rouge pendant 2 secondes puis se mettent à clignoter en bleu.

**NOTE :** Les témoins d'activation sans fil cessent de clignoter en rouge au bout de 20 secondes. Appuyez sur le bouton d'activation sans fil sur l'outil pendant que le témoin d'activation sans fil clignote sur l'aspirateur. Si le témoin d'activation sans fil ne clignote pas en rouge, appuyez un court instant sur le bouton d'activation sans fil et maintenez-le enfoncé encore une fois.

## Dépannage de la fonction d'activation sans fil

Avant de faire une demande de réparation, faites d'abord votre propre inspection. Si vous rencontrez un problème non indiqué dans ce manuel, n'essayez pas de démonter l'outil. Demandez plutôt à un centre de service après-vente Makita agréé de faire la réparation avec des pièces de rechange Makita.

| État anormal   | Cause probable (dysfonctionnement)   | Solution  |
|--|--|---|
| Le témoin d'activation sans fil ne s'allume pas ou ne clignote pas.                                  | L'unité sans fil n'est pas installée dans l'outil.<br>L'unité sans fil n'est pas bien installée dans l'outil.  | Installez l'unité sans fil correctement.  |
|  | La borne de l'unité sans fil et/ou la fente est sale.  | Essayez doucement les poussières et saletés sur la borne de l'unité sans fil, et nettoyez la fente.   |
|  | Vous n'avez pas appuyé sur le bouton d'activation sans fil sur l'outil.  | Appuyez un court instant sur le bouton d'activation sans fil sur l'outil.   |
|  | L'interrupteur d'attente de l'aspirateur n'est pas sur « AUTO ».   | Mettez l'interrupteur d'attente de l'aspirateur sur « AUTO ».   |
|  | Pas d'alimentation   | Fournissez une source d'alimentation à l'outil et à l'aspirateur.   |
| L'enregistrement d'outil ou l'annulation de l'enregistrement d'outil échoue.                         | L'unité sans fil n'est pas installée dans l'outil.<br>L'unité sans fil n'est pas bien installée dans l'outil.  | Installez l'unité sans fil correctement.  |
|  | La borne de l'unité sans fil et/ou la fente est sale.  | Essayez doucement les poussières et saletés sur la borne de l'unité sans fil, et nettoyez la fente.   |
|  | L'interrupteur d'attente de l'aspirateur n'est pas sur « AUTO ».   | Mettez l'interrupteur d'attente de l'aspirateur sur « AUTO ».   |
|  | Pas d'alimentation   | Fournissez une source d'alimentation à l'outil et à l'aspirateur.   |
|  | Utilisation incorrecte   | Appuyez un court instant sur le bouton d'activation sans fil et reprenez la procédure d'enregistrement/annulation d'outil.                                  |
|  | L'outil et l'aspirateur sont trop éloignés l'un de l'autre (hors de portée de transmission).   | Rapprochez l'outil et l'aspirateur l'un de l'autre. La distance maximale de transmission est d'environ 10 m, mais elle peut varier selon les circonstances. |
|  | Avant la fin de l'enregistrement ou de l'annulation d'outil,<br>- vous appuyez sur la gâchette de l'outil,<br>- vous activez le bouton d'aspiration de l'outil, ou<br>- vous activez le bouton d'alimentation de l'aspirateur. | Appuyez un court instant sur le bouton d'activation sans fil et reprenez la procédure d'enregistrement/annulation d'outil.                                  |
|  | Les procédures d'enregistrement d'outil n'ont pas été achevées pour l'outil ou pour l'aspirateur.  | Effectuez l'enregistrement d'outil pour l'outil et pour l'aspirateur au même moment.  |
| Perturbation radioélectrique par d'autres appareils qui génèrent des ondes radio de forte intensité. | Gardez l'outil et l'aspirateur à l'écart des appareils tels que dispositifs Wi-Fi et fours à micro-ondes.  |   |

| État anormal  | Cause probable (dysfonctionnement)  | Solution  |
|---|---|---|
| L'aspirateur n'est pas activé par l'utilisation de l'interrupteur de l'outil. | L'unité sans fil n'est pas installée dans l'outil.<br>L'unité sans fil n'est pas bien installée dans l'outil. | Installez l'unité sans fil correctement.  |
|   | La borne de l'unité sans fil et/ou la fente est sale.   | Essuyez doucement les poussières et saletés sur la borne de l'unité sans fil, et nettoyez la fente.   |
|   | Vous n'avez pas appuyé sur le bouton d'activation sans fil sur l'outil.                                       | Appuyez un court instant sur le bouton d'activation sans fil et assurez-vous que le témoin d'activation sans fil clignote en bleu.                          |
|   | L'interrupteur d'attente de l'aspirateur n'est pas sur « AUTO ».  | Mettez l'interrupteur d'attente de l'aspirateur sur « AUTO ».   |
|   | Plus de 10 outils sont enregistrés sur l'aspirateur.  | Reprenez l'enregistrement d'outil.<br>Si plus de 10 outils sont enregistrés sur l'aspirateur, l'outil enregistré le plus tôt sera automatiquement annulé.   |
|   | L'aspirateur n'a pas réussi à enregistrer les outils.   | Réenregistrez les outils.   |
|   | L'aspirateur a effacé tous les enregistrements d'outil.   | Reprenez l'enregistrement d'outil.  |
|   | Pas d'alimentation  | Fournissez une source d'alimentation à l'outil et à l'aspirateur.   |
|   | L'outil et l'aspirateur sont trop éloignés l'un de l'autre (hors de portée de transmission).                  | Rapprochez l'outil et l'aspirateur l'un de l'autre. La distance maximale de transmission est d'environ 10 m, mais elle peut varier selon les circonstances. |
|   | Perturbation radioélectrique par d'autres appareils qui génèrent des ondes radio de forte intensité.          | Gardez l'outil et l'aspirateur à l'écart des appareils tels que dispositifs Wi-Fi et fours à micro-ondes.   |
| L'aspirateur tourne même si aucun interrupteur de l'outil n'est activé.       | D'autres utilisateurs utilisent l'activation sans fil de l'aspirateur avec leurs outils.                      | Mettez le bouton d'activation sans fil en position d'arrêt sur les autres outils, ou annulez l'enregistrement d'outil des autres outils.                    |

## ENTRETIEN

**▲ MISE EN GARDE : Assurez-vous toujours que l'outil est éteint et que la batterie est retirée avant d'y effectuer tout travail d'inspection ou d'entretien.** Ne pas retirer la batterie et ne pas éteindre l'outil hors tension peut entraîner un démarrage accidentel de l'outil qui peut causer une grave blessure.

**▲ MISE EN GARDE : Assurez-vous toujours que la lame de scie circulaire est bien affûtée et propre pour qu'elle coupe de manière sûre et optimale.** Si vous essayez de couper avec une lame émoussée et/ou sale, il y a risque de rebond et de grave blessure.

**AVIS : N'utilisez jamais d'essence, de benzène, de solvant, d'alcool ou autres produits similaires. Une décoloration, une déformation ou la formation de fissures peuvent en découler.**

Pour maintenir la SÉCURITÉ et la FIABILITÉ du produit, les réparations et tout autre travail d'entretien ou de réglage doivent être effectués dans un centre de service après-vente autorisé ou une usine Makita, exclusivement avec des pièces de rechange Makita.

## Réglage de l'angle de coupe

L'outil est soigneusement réglé et aligné en usine, mais cet alignement peut être éventuellement affecté s'il est manipulé avec brutalité. Si l'outil n'est pas bien aligné, suivez la procédure suivante :

### Angle de coupe d'onglet

Tournez le manche dans le sens contraire des aiguilles d'une montre et préparez le socle pour l'utilisation de la fonction d'arrêt fixe au moyen du levier de libération. Desserrez ensuite les vis qui retiennent le pointeur et l'échelle d'angle de coupe d'onglet.

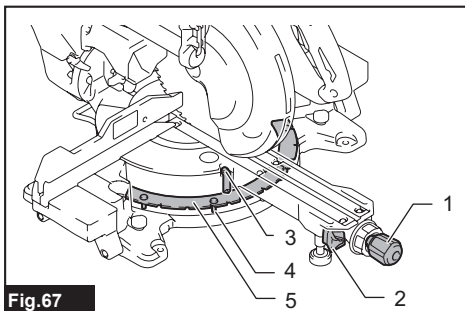
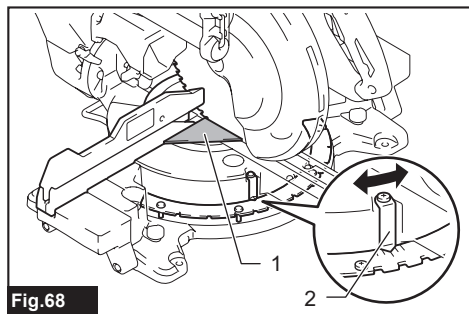


Fig.67

- 1. Manche 2. Levier de libération 3. Vis sur le pointeur 4. Vis sur l'échelle d'angle de coupe d'onglet 5. Échelle d'angle de coupe d'onglet

Mettez le socle rotatif sur la position 0° à l'aide de la fonction d'arrêt fixe. Mettez le côté de la lame de scie circulaire à angle droit par rapport à la face du garde de guidage, à l'aide d'une règle triangulaire ou d'une équerre de menuisier. Tout en maintenant l'angle droit, serrez les vis sur l'échelle d'angle de coupe d'onglet. Ensuite, alignez le pointeur sur la position 0° de l'échelle d'angle de coupe d'onglet, puis serrez la vis sur le pointeur.



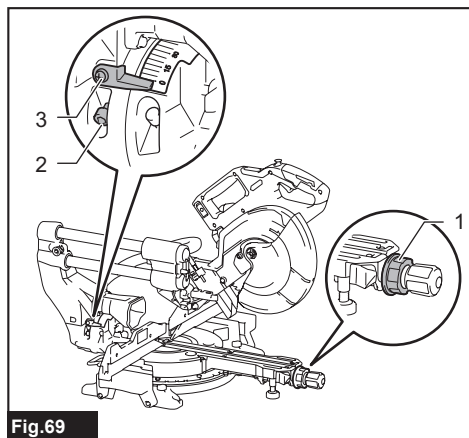
**Fig.68**

► 1. Règle triangulaire 2. Pointeur

## Angle de coupe en biseau

### Angle de coupe en biseau 0°

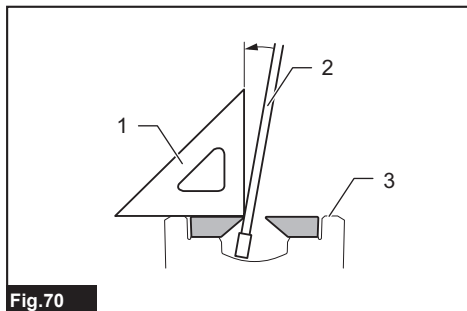
Poussez le chariot vers les gardes de guidage et verrouillez le glissement avec la broche de blocage. Abaissez complètement le chariot et verrouillez-le en position abaissée avec la broche de blocage. Tournez le cadran du manche dans le sens contraire des aiguilles d'une montre, puis tournez le boulon de réglage 0° de deux ou trois tours dans le sens contraire des aiguilles d'une montre pour incliner la lame de scie circulaire vers la droite.



**Fig.69**

► 1. Cadran du manche 2. Boulon de réglage 0° 3. Vis sur le pointeur

Mettez soigneusement le côté de la lame de scie circulaire à angle droit par rapport à la face supérieure du socle rotatif, à l'aide d'une règle triangulaire, d'une équerre de menuisier, etc., en tournant le boulon de réglage 0° dans le sens des aiguilles d'une montre. Serrez ensuite le cadran du manche fermement pour fixer l'angle 0° que vous avez réglé.



**Fig.70**

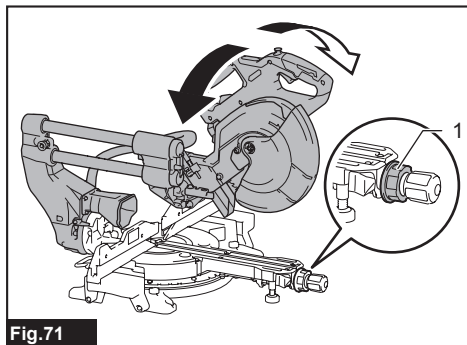
► 1. Règle triangulaire 2. Lame de scie 3. Face supérieure du socle rotatif

Vérifiez encore une fois que le côté de la lame de scie circulaire est à angle droit par rapport à la face supérieure du socle rotatif. Desserrez la vis sur le pointeur, alignez le pointeur sur la position 0° de l'échelle d'angle de coupe en biseau, puis serrez la vis.

### Angle de coupe en biseau 45°

**AVIS :** Avant de régler l'angle de coupe en biseau 45°, achevez le réglage de l'angle de coupe en biseau 0°.

Desserrez le cadran du manche et inclinez complètement le chariot du côté que vous voulez vérifier. Vérifiez si le pointeur indique la position 45° sur l'échelle d'angle de coupe en biseau.



**Fig.71**

► 1. Cadran du manche



Si le pointeur n'indique pas la position 45°, alignez-le sur la position 45° en tournant le boulon de réglage 45°.

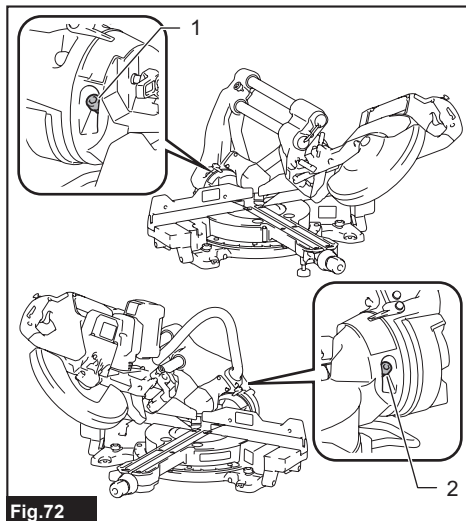


Fig.72

► 1. Boulon de réglage 45° à droite 2. Boulon de réglage 45° à gauche

## Nettoyage de la lentille de la lampe

**AVIS :** Ne retirez pas la vis qui retient la lentille. Si la lentille ne sort pas, desserrez davantage la vis.

**AVIS :** Utilisez un linge sec pour enlever les saletés sur la lentille de la lampe. Prenez garde de rayer la lentille de la lampe, car cela peut réduire son intensité d'éclairage.

**AVIS :** N'utilisez pas de diluants ou autres nettoyants à base de pétrole sur la lentille.

La lumière DEL devient difficile à voir lorsque la lentille de la lampe est sale. Nettoyez régulièrement la lentille. Retirez la batterie. Desserrez la vis et retirez la lentille. Nettoyez soigneusement la lentille avec un linge doux et humide.

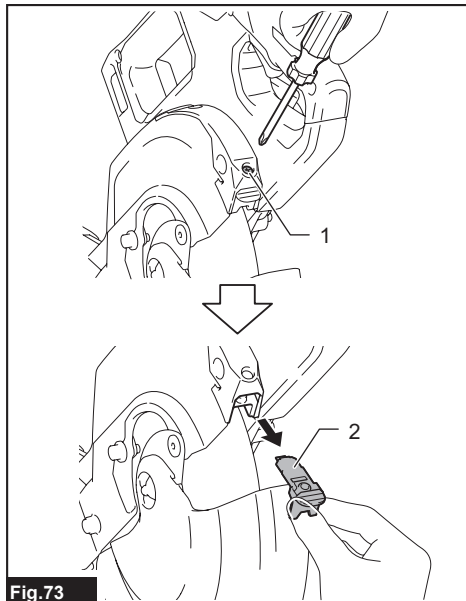


Fig.73

► 1. Vis 2. Lentille

## Après l'utilisation

Après l'utilisation, essuyez les copeaux et poussières qui adhèrent à l'outil, au moyen d'un linge ou d'un objet similaire. Gardez le protège-lame propre en respectant les instructions susmentionnées de la section sur le protège-lame. Pour prévenir la rouille, lubrifiez les pièces coulissantes avec de l'huile pour machine.

## ACCESSOIRES EN OPTION

**⚠ MISE EN GARDE :** Ces accessoires ou pièces complémentaires Makita sont recommandés pour l'utilisation avec l'outil Makita spécifié dans ce manuel. L'utilisation de tout autre accessoire ou pièce complémentaire peut entraîner une grave blessure.

**⚠ MISE EN GARDE :** N'utilisez les accessoires ou pièces complémentaires Makita qu'aux fins auxquelles ils ont été conçus. L'utilisation inadéquate d'un accessoire ou d'une pièce complémentaire peut entraîner une grave blessure.

Si vous désirez obtenir plus de détails sur ces accessoires, veuillez contacter le centre de service après-vente Makita le plus près.

- Lames de scie à dents de carbure de tungstène
- Étau vertical
- Étau horizontal
- Sac à poussières
- Règle triangulaire
- Clé hexagonale
- Unité sans fil
- Ensembles de support
- Chargeur et batterie authentiques Makita

**NOTE** : Certains éléments de la liste peuvent être inclus avec l'outil comme accessoires standards. Ils peuvent varier suivant les pays.

## **GARANTIE LIMITÉE MAKITA**

Pour les conditions de garantie en vigueur qui s'appliquent à ce produit, veuillez vous reporter à la feuille de garantie en annexe. Si la feuille de garantie en annexe n'est pas disponible, reportez-vous aux détails de la garantie présentés sur le site Web de votre pays, ci-dessous.

États-Unis d'Amérique: [www.makitatools.com](http://www.makitatools.com)

Canada: [www.makita.ca](http://www.makita.ca)

Autres pays: [www.makita.com](http://www.makita.com)

## ESPECIFICACIONES

|   |  |
|---|--|
| <b>Modelo:</b>                                    | <b>LS002G</b>                                      |
| Diámetro del disco                                | 216 mm (8-1/2")                                    |
| Diámetro del orificio (eje) (específico del país) | 15,88 mm (5/8")                                    |
| Ancho de corte máx. del disco de la sierra        | 2,4 mm (3/32")                                     |
| Ángulo de inglete máximo                          | Izquierda 60°, Derecha 60°                         |
| Ángulo de bisel máximo                            | Izquierda 48°, Derecha 48°                         |
| Velocidad sin carga                               | 4 800 r/min  |
| Dimensiones (La x An x Al)                        | 702 mm x 551 mm x 557 mm (27-5/8" x 21-3/4" x 22") |
| Tensión nominal                                   | c.c. 36 V - 40 V máx.                              |
| Peso neto   | 16,4 kg - 17,0 kg (36,2 lbs - 37,5 lbs)            |

- Debido a nuestro continuo programa de investigación y desarrollo, las especificaciones aquí incluidas están sujetas a cambio sin previo aviso.
- Las especificaciones pueden variar de país a país.
- El peso puede variar en función de los accesorios, incluido el cartucho de batería. En la tabla se muestra la combinación de peso más ligero y más pesado conforme al procedimiento 01/2014 de EPTA.

### Capacidades de corte (Al x An) con disco de 216 mm (8-1/2") de diámetro

| Ángulo de inglete         | Ángulo de bisel                  |                                      |                                       |
|---------------------------|----------------------------------|--------------------------------------|---------------------------------------|
|                           | 45° (izquierdo)                  | 0°                                   | 45° (derecho)                         |
| 0°                        | 50 mm x 312 mm<br>(2" x 12-1/4") | 70 mm x 312 mm<br>(2-3/4" x 12-1/4") | 30 mm x 312 mm<br>(1-3/16" x 12-1/4") |
| 45° (izquierda y derecha) | 50 mm x 220 mm<br>(2" x 8-5/8")  | 70 mm x 220 mm<br>(2-3/4" x 8-5/8")  | 30 mm x 220 mm<br>(1-3/16" x 8-5/8")  |
| 60° (izquierda y derecha) | -                                | 70 mm x 155 mm<br>(2-3/4" x 6-1/8")  | -                                     |

### Cartucho de batería y cargador aplicables

|                     |  |
|---------------------|--|
| Cartucho de batería | BL4020 / BL4025* / BL4040* / BL4050F*<br>* : Batería recomendada |
| Cargador            | DC40RA / DC40RB / DC40RC   |

- Algunos de los cartuchos de batería y cargadores enumerados arriba podrían no estar disponibles dependiendo de su área de residencia.

**⚠ ADVERTENCIA:** Use únicamente los cartuchos de batería y los cargadores indicados arriba. El uso de cualquier otro cartucho de batería y cargador podría ocasionar una lesión y/o un incendio.

## ADVERTENCIAS DE SEGURIDAD

### Advertencias generales de seguridad para herramientas eléctricas

**⚠ ADVERTENCIA:** Lea todas las advertencias de seguridad, instrucciones, ilustraciones y especificaciones suministradas con esta herramienta eléctrica. El no seguir todas las instrucciones indicadas a continuación podría ocasionar una descarga eléctrica, incendio y/o lesiones graves.

### Conserve todas las advertencias e instrucciones como referencia en el futuro.

En las advertencias, el término "herramienta eléctrica" se refiere a su herramienta eléctrica de funcionamiento con conexión a la red eléctrica (con cableado eléctrico) o herramienta eléctrica de funcionamiento a batería (inalámbrica).

#### Seguridad en el área de trabajo

1. Mantenga el área de trabajo limpia y bien iluminada. Las áreas oscuras o desordenadas son propensas a accidentes.

2. **No utilice las herramientas eléctricas en atmósferas explosivas, tal como en la presencia de líquidos, gases o polvo inflamables.** Las herramientas eléctricas crean chispas que pueden prender fuego al polvo o los humos.
3. **Mantenga a los niños y curiosos alejados mientras utiliza una herramienta eléctrica.** Las distracciones le pueden hacer perder el control.

#### Seguridad eléctrica

1. **Las clavijas de conexión de las herramientas eléctricas deberán encajar perfectamente en la toma de corriente. No modifique nunca la clavija de conexión de ninguna forma. No utilice ninguna clavija adaptadora con herramientas eléctricas que tengan conexión a tierra (puesta a tierra).** La utilización de clavijas no modificadas y que encajen perfectamente en la toma de corriente reducirá el riesgo de que se produzca una descarga eléctrica.
2. **Evite tocar con el cuerpo superficies conectadas a tierra o puestas a tierra tales como tubos, radiadores, cocinas y refrigeradores.** Si su cuerpo es puesto a tierra o conectado a tierra existirá un mayor riesgo de que sufra una descarga eléctrica.
3. **No exponga las herramientas eléctricas a la lluvia ni a condiciones húmedas.** La entrada de agua en una herramienta eléctrica aumentará el riesgo de que se produzca una descarga eléctrica.
4. **No maltrate el cable. Nunca utilice el cable para transportar, jalar o desconectar la herramienta eléctrica. Mantenga el cable alejado del calor, aceite, objetos cortantes o piezas móviles.** Los cables dañados o enredados aumentan el riesgo de sufrir una descarga eléctrica.
5. **Cuando utilice una herramienta eléctrica en exteriores, utilice un cable de extensión apropiado para uso en exteriores.** La utilización de un cable apropiado para uso en exteriores reducirá el riesgo de que se produzca una descarga eléctrica.
6. **Si no es posible evitar usar una herramienta eléctrica en condiciones húmedas, utilice un alimentador protegido con interruptor de circuito de falla a tierra (ICFT).** El uso de un ICFT reduce el riesgo de descarga eléctrica.
7. **Las herramientas eléctricas pueden producir campos electromagnéticos (CEM) que no son dañinos para el usuario.** Sin embargo, si los usuarios tienen marcapasos y otros dispositivos médicos similares, deberán consultar al fabricante de su dispositivo y/o a su médico antes de operar esta herramienta eléctrica.

#### Seguridad personal

1. **Manténgase alerta, preste atención a lo que está haciendo y utilice su sentido común cuando opere una herramienta eléctrica. No utilice una herramienta eléctrica cuando esté cansado o bajo la influencia de drogas, alcohol o medicamentos.** Un momento de distracción mientras opera las herramientas eléctricas puede terminar en una lesión grave.
2. **Use equipo de protección personal. Póngase siempre protección para los ojos.** El equipo protector tal como máscara contra el polvo, zapatos de seguridad antiderrapantes, casco rígido y protección para oídos utilizado en las condiciones apropiadas reducirá el riesgo de lesiones.

3. **Impida el encendido accidental. Asegúrese de que el interruptor esté en la posición de apagado antes de conectar a la alimentación eléctrica y/o de colocar el cartucho de batería, así como al levantar o cargar la herramienta.** Cargar las herramientas eléctricas con su dedo en el interruptor o enchufarlas con el interruptor encendido hace que los accidentes sean comunes.
4. **Retire cualquier llave de ajuste o llave de apriete antes de encender la herramienta.** Una llave de ajuste o llave de apriete que haya sido dejada puesta en una parte giratoria de la herramienta eléctrica puede ocasionar alguna lesión.
5. **No utilice la herramienta donde no alcance. Mantenga los pies sobre suelo firme y el equilibrio en todo momento.** Esto permite un mejor control de la herramienta eléctrica en situaciones inesperadas.
6. **Use una vestimenta apropiada. No use ropa suelta ni alhajas. Mantenga el cabello, la ropa y los guantes alejados de las piezas móviles.** Las prendas de vestir holgadas, las alhajas y el cabello largo suelto podrían engancharse en estas piezas móviles.
7. **Si dispone de dispositivos para la conexión de equipos de extracción y recolección de polvo, asegúrese de conectarlos y utilizarlos debidamente.** Hacer uso de la recolección de polvo puede reducir los riesgos relacionados con el polvo.
8. **No permita que la familiaridad adquirida debido al uso frecuente de las herramientas haga que se sienta confiado e ignore los principios de seguridad de las herramientas.** Un descuido podría ocasionar una lesión grave en una fracción de segundo.
9. **Utilice siempre gafas protectoras para proteger sus ojos de lesiones al usar herramientas eléctricas. Las gafas deben cumplir con la Norma ANSI Z87.1 en EUA. Es responsabilidad del empleador imponer el uso de equipos protectores de seguridad apropiados a los operadores de la herramienta y demás personas cerca del área de trabajo.**

#### Mantenimiento y uso de la herramienta eléctrica

1. **No fuerce la herramienta eléctrica. Utilice la herramienta eléctrica correcta para su aplicación.** La herramienta eléctrica adecuada hará un mejor trabajo y de forma más segura a la velocidad para la que ha sido fabricada.
2. **No utilice la herramienta eléctrica si el interruptor no la enciende y apaga.** Cualquier herramienta eléctrica que no pueda ser controlada con el interruptor es peligrosa y debe ser reemplazada.
3. **Desconecte la clavija de la fuente de alimentación y/o retire la batería de la herramienta eléctrica, en caso de ser removible, antes de realizar ajustes, cambiar accesorios o almacenar las herramientas eléctricas.** Tales medidas de seguridad preventivas reducirán el riesgo de poner en marcha la herramienta eléctrica de forma accidental.

4. **Guarde la herramienta eléctrica que no use fuera del alcance de los niños y no permita que las personas que no están familiarizadas con ella o con las instrucciones la operen.** Las herramientas eléctricas son peligrosas en manos de personas que no saben operarlas.
5. **Dé mantenimiento a las herramientas eléctricas y los accesorios. Compruebe que no haya piezas móviles desalineadas o estancadas, piezas rotas y cualquier otra condición que pueda afectar al funcionamiento de la herramienta eléctrica.** Si la herramienta eléctrica está dañada, haga que la reparen antes de utilizarla. Muchos de los accidentes son ocasionados por no dar un mantenimiento adecuado a las herramientas eléctricas.
6. **Mantenga las herramientas de corte limpias y filosas.** Si recibe un mantenimiento adecuado y tiene los bordes afilados, es probable que la herramienta se atasque menos y sea más fácil controlarla.
7. **Utilice la herramienta eléctrica, los accesorios y las brocas de acuerdo con estas instrucciones, considerando las condiciones laborales y el trabajo a realizar.** Si utiliza la herramienta eléctrica para realizar operaciones distintas de las indicadas, podrá presentarse una situación peligrosa.
8. **Mantenga los mangos y superficies de asiento secos, limpios y libres de aceite o grasa.** Los mangos y superficies de asiento resbalosos no permiten una manipulación segura ni el control de la herramienta en situaciones inesperadas.
9. **Cuando vaya a utilizar esta herramienta, evite usar guantes de trabajo de tela ya que éstos podrían atorarse.** Si los guantes de trabajo de tela llegaran a atorarse en las piezas móviles, esto podría ocasionar lesiones personales.

#### Uso y cuidado de la herramienta a batería

1. **Recargue sólo con el cargador especificado por el fabricante.** Un cargador que es adecuado para un solo tipo de batería puede generar riesgo de incendio al ser utilizado con otra batería.
2. **Utilice las herramientas eléctricas solamente con las baterías designadas específicamente para ellas.** La utilización de cualquier otra batería puede crear un riesgo de lesiones o incendio.
3. **Cuando no se esté usando la batería, manténgala alejada de otros objetos metálicos, como sujetapapeles (clips), monedas, llaves, clavos, tornillos u otros objetos pequeños de metal los cuales pueden actuar creando una conexión entre las terminales de la batería.** Originar un cortocircuito en las terminales puede causar quemaduras o incendios.
4. **En condiciones abusivas, podrá escapar líquido de la batería; evite tocarlo. Si lo toca accidentalmente, enjuague con agua. Si hay contacto del líquido con los ojos, busque asistencia médica.** Puede que el líquido expulsado de la batería cause irritación o quemaduras.
5. **No utilice una herramienta ni una batería que estén dañadas o hayan sido modificadas.** Las baterías dañadas o modificadas podrían ocasionar una situación inesperada provocando un incendio, explosión o riesgo de lesiones.

6. **No exponga la herramienta ni la batería al fuego ni a una temperatura excesiva.** La exposición al fuego o a una temperatura superior a los 130 °C podría causar una explosión.
7. **Siga todas las instrucciones para la carga y evite cargar la herramienta o la batería fuera del rango de temperatura especificado en las instrucciones.** Una carga inadecuada o a una temperatura fuera del rango especificado podría dañar la batería e incrementar el riesgo de incendio.

#### Servicio

1. **Haga que una persona calificada repare la herramienta eléctrica utilizando sólo piezas de repuesto idénticas.** Esto asegura que se mantenga la seguridad de la herramienta eléctrica.
2. **Nunca dé servicio a baterías que estén dañadas.** El servicio a las baterías solamente deberá ser efectuado por el fabricante o un agente de servicio autorizado.
3. **Siga las instrucciones para la lubricación y cambio de accesorios.**
4. **No modifique ni intente reparar el aparato ni el paquete de baterías salvo como se indique en las instrucciones para el uso y cuidado.**

### Instrucciones de seguridad para sierras de inglete

1. **Las sierras de inglete están diseñadas para cortar madera o productos parecidos a la madera, éstas no pueden utilizarse con ruedas cortadoras abrasivas para cortar materiales ferrosos tales como barras, varillas, montantes, etc.** El polvo abrasivo causa que las piezas móviles, tal como el protector inferior, se atasquen. Las chispas del corte abrasivo quemarán el protector inferior, el inserto de corte y otras piezas de plástico.
2. **Siempre que sea posible, utilice abrazaderas para sujetar la pieza de trabajo.** Si utiliza su mano para sostener la pieza de trabajo, deberá siempre mantenerla a por lo menos 100 mm de distancia de ambos lados del disco de la sierra. No utilice esta sierra para cortar pedazos que sean demasiado pequeños para ser sujetados firmemente con abrazaderas o sostenidos con la mano. El colocar su mano demasiado cerca del disco de la sierra incrementará el riesgo de lesiones a causa del contacto con el disco.
3. **La pieza de trabajo deberá estar fija y firmemente sujeta o sostenida contra la guía y la mesa.** No alimente la pieza de trabajo en el disco ni corte "a pulso" de ninguna manera. Las piezas de trabajo que no estén sujetas o se muevan podrían salir disparadas a altas velocidades ocasionando lesiones.
4. **Empuje la sierra a través de la pieza de trabajo. No jale la sierra a través de la pieza de trabajo.** Para realizar un corte, levante la cabeza de la sierra y júlela hacia afuera sobre la pieza de trabajo sin cortar, ponga en marcha el motor, presione hacia abajo la cabeza de la sierra y empuje la sierra a través de la pieza de trabajo. El cortar durante el trayecto de jalado podría causar que el disco de la sierra saltara por encima de la pieza de trabajo y que el conjunto del disco saliera disparado violentamente hacia el operador.

5. **Nunca cruce su mano sobre la línea de corte prevista, ni por delante ni por detrás del disco de la sierra.** Nunca sujete la pieza de trabajo con “la mano cruzada”, es decir, sosteniendo la pieza de trabajo a la derecha del disco de la sierra con su mano izquierda y viceversa, ya que podría resultar muy peligroso.

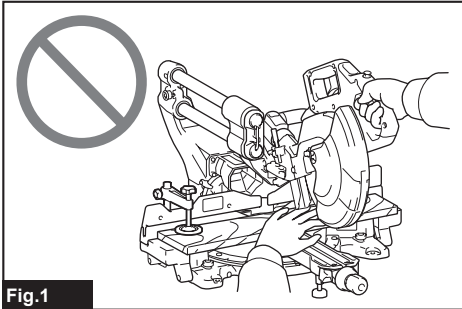


Fig.1

6. **No acerque las manos por detrás de la guía a más de 100 mm de distancia de ambos lados del disco de la sierra para extraer restos de madera ni por ninguna otra razón mientras el disco esté girando.** La proximidad entre el disco de la sierra que está girando y su mano podría no ser obvia y ocasionarle una lesión grave.
7. **Inspeccione su pieza de trabajo antes de cortar.** Si la pieza de trabajo está doblada o torcida, sujétela con la parte arqueada exterior orientada hacia la guía. Asegúrese siempre de que no haya ningún espacio entre la pieza de trabajo, la guía y la mesa a lo largo de la línea de corte. Las piezas de trabajo dobladas o torcidas podrían voltearse o desplazarse y causar que el disco de la sierra que está girando se atore mientras corta. En la pieza de trabajo no debe haber clavos ni objetos extraños.
8. **No utilice la sierra hasta que la mesa haya sido despejada y no haya ninguna herramienta, restos de madera, etc., salvo la pieza de trabajo.** Los residuos pequeños o trozos de madera sueltos u otros objetos que estén en contacto con el disco giratorio podrían salir disparados a alta velocidad.
9. **Sólo corte una pieza de trabajo a la vez.** El tener varias piezas de trabajo apiladas no permite sujetarlas o sostenerlas adecuadamente pudiendo ocasionar que se atoraran en el disco o se desplazaran durante el corte.
10. **Asegúrese de que la sierra de inglete esté instalada o colocada sobre una superficie de trabajo nivelada y firme antes de utilizarla.** Una superficie de trabajo nivelada y firme reduce el riesgo de que la sierra de inglete se vuelva inestable.
11. **Planifique su trabajo.** Cada vez que cambie la posición del ángulo de bisel o de inglete, asegúrese de que la guía ajustable esté colocada correctamente para sostener la pieza de trabajo y que no obstaculice el disco o el sistema de protección. Sin encender la herramienta y sin ninguna pieza de trabajo sobre la mesa, desplace el disco de la sierra simulando un corte completo para asegurarse de que no habrá ningún obstáculo ni peligro de cortar la guía.
12. **Proporcione un apoyo adecuado, tal como extensiones para la mesa, caballetes de aserrado, etc. para las piezas de trabajo más anchas o largas que la superficie de la mesa.** Las piezas de trabajo más largas o anchas que la mesa de la sierra de inglete pueden volcarse si no están bien apoyadas. Si la pieza de corte o la pieza de trabajo llegara a volcarse, ésta podría levantar el protector inferior o ser lanzada por el disco que está girando.
13. **No use a otra persona como sustituto de una extensión de la mesa o como apoyo adicional.** Un apoyo inestable para la pieza de trabajo podría causar que el disco se atascara o que la pieza de trabajo se desplazara durante la operación de corte jalándolo a usted y a su ayudante hacia el disco que está girando.
14. **La pieza de corte no debe atascarse ni ser presionada en ninguna forma contra el disco de la sierra que está girando.** Si el espacio es reducido, por ej., al usar topes de longitud, la pieza de corte podría quedar atrapada contra el disco y salir disparada violentamente.
15. **Utilice siempre una abrazadera o algún accesorio diseñado para apoyar adecuadamente materiales redondos tales como varillas o tubos.** Las varillas tienden a rodar mientras se cortan, causando que el disco se “enganche” y jale la pieza de trabajo y su mano hacia el mismo.
16. **Permita que el disco alcance su velocidad completa antes de que entre en contacto con la pieza de trabajo.** Esto reducirá el riesgo de que la pieza de trabajo salga disparada.
17. **Si la pieza de trabajo o el disco llega a atascarse, apague la sierra de inglete. Espere a que todas las piezas móviles se detengan y desconecte la clavija de la fuente de alimentación y/o retire la batería. Luego proceda a liberar el material atascado.** El continuar cortando con una pieza de trabajo atascada podría ocasionar la pérdida de control o causar daños a la sierra de inglete.
18. **Una vez completado el corte, suelte el interruptor, sujete la sierra con la cabeza hacia abajo y espere a que el disco se detenga antes de retirar la pieza de corte.** El acercar su mano al disco mientras éste sigue girando por inercia es peligroso.
19. **Sujete la empuñadura firmemente cuando realice un corte incompleto o cuando suelte el interruptor antes de haber colocado totalmente hacia abajo la cabeza de la sierra.** La acción de frenado de la sierra podría causar que la cabeza de la sierra sea repentinamente jalada hacia abajo pudiendo ocasionar una lesión.
20. **Use solamente un disco de la sierra cuyo diámetro esté marcado en la herramienta o especificado en el manual.** El uso de un disco de tamaño incorrecto puede afectar la protección adecuada del disco o la operación del protector y ocasionar lesiones personales graves.
21. **Utilice únicamente los discos de la sierra marcados con una velocidad igual o mayor a la velocidad marcada en la herramienta.**
22. **Seleccione siempre el disco de la sierra correcto para el material que va a cortar. No utilice el disco de la sierra para cortar otros materiales distintos a los especificados.**

23. La sierra puede cortar madera, aluminio o materiales similares siempre que se utilice un disco de la sierra apropiado para el material. No utilice la sierra para cortar otros materiales incluido magnesio, acero y hierro.

#### Instrucciones adicionales

1. **Uso pretendido**  
Esta herramienta está diseñada para realizar cortes rectos y en inglete de manera precisa sobre madera. Con los discos de la sierra apropiados también se puede cortar aluminio.
2. Mantenga el taller a prueba de niños usando candados.
3. **Nunca se pare sobre la herramienta.** El volcar la herramienta o tocar accidentalmente la herramienta de corte podría ocasionar lesiones graves.
4. **Nunca deje la herramienta desatendida mientras esté en marcha.** Desconecte la alimentación. No deje la herramienta hasta que se haya detenido completamente.
5. No utilice la sierra sin los protectores puestos. Verifique que el protector del disco cierre debidamente antes de cada uso. No utilice la sierra si el protector del disco no se mueve libremente y se cierra instantáneamente. No sujete ni ate el protector del disco en la posición abierta.
6. Mantenga las manos alejadas de la trayectoria del disco de la sierra. Evite el contacto con cualquier disco que esté girando por inercia. Aún puede ocasionarle heridas graves.
7. Para reducir el riesgo de lesiones, vuelva a poner el carro en la posición completamente hacia atrás después de cada operación de corte transversal.
8. Asegúrese siempre de que todas las partes móviles se encuentren fijas antes de transportar la herramienta.
9. La clavija de retención que bloquea el cabezal de corte en posición hacia abajo es solamente para transportar y almacenar la herramienta y no para ninguna operación de corte.
10. Inspeccione el disco cuidadosamente para ver si tiene grietas o daños antes de comenzar la operación. Reemplace el disco inmediatamente si está agrietado o dañado. El pegamento y la resina de madera endurecidas en los discos frenan la sierra y aumentan las posibilidades de que se produzcan retrocesos bruscos. Mantenga el disco limpio desmontándolo primero de la herramienta, y limpiándolo después con un producto para quitar pegamento y resina, agua caliente o queroseno. Nunca utilice gasolina para limpiar el disco.
11. Al realizar un corte por deslizamiento, puede producirse un **RETROCESO BRUSCO**. Los **RETROCESOS BRUSCOS** ocurren cuando el disco se traba en la pieza de trabajo durante una operación de corte y es impulsado rápidamente hacia el operador. El resultado puede ser la pérdida de control y lesiones graves. Si el disco comienza a trabarse durante una operación de corte, no continúe cortando y suelte el interruptor inmediatamente.

12. Utilice solamente las bridas especificadas para esta herramienta.
13. Tenga cuidado de no dañar el eje, las bridas (especialmente la superficie de instalación) ni el perno. Los daños en estas piezas podrían provocar la ruptura del disco.
14. Asegúrese de que la base giratoria esté debidamente asegurada de forma que no se mueva durante la operación. Utilice los orificios de la base para sujetar la sierra a una plataforma o banco de trabajo estable. **NUNCA** utilice la herramienta donde la posición del operador vaya a resultar incómoda.
15. Asegúrese de que el bloqueo de eje esté suelto antes de activar el interruptor.
16. Asegúrese de que el disco no esté en contacto con la base giratoria en la posición más baja.
17. Sostenga firmemente la empuñadura. Tenga en cuenta que la sierra se mueve levemente hacia arriba o hacia abajo al iniciar y al detener el funcionamiento.
18. Asegúrese de que el disco no esté haciendo contacto con la pieza de trabajo antes de activar el interruptor.
19. Antes de utilizar la herramienta en una pieza de trabajo definitiva, déjela funcionar durante un rato. Observe si hay vibración o bamboleo que pueda indicar una instalación incorrecta o un desequilibrio del disco.
20. Pare la operación inmediatamente si nota algo anormal.
21. No intente bloquear el gatillo en la posición activada.
22. Utilice los accesorios recomendados en este manual. El uso de accesorios inapropiados tales como discos abrasivos podría ocasionar lesiones.
23. Algunos materiales contienen sustancias químicas que pueden ser tóxicas. Tome precauciones para evitar la inhalación de polvo y el contacto con la piel. Consulte la hoja de seguridad de materiales del proveedor.
24. No use ningún alimentador con cableado eléctrico con esta herramienta.

#### Normas de seguridad adicionales para la lámpara en funcionamiento

1. No mire a la luz ni vea a la fuente de luz directamente.




## GUARDE ESTAS INSTRUCCIONES.

**⚠ ADVERTENCIA:** NO DEJE que la comodidad o familiaridad con el producto (a base de utilizarlo repetidamente) sustituya la estricta observancia de las normas de seguridad para dicho producto. **EL MAL USO** o el no seguir las normas de seguridad establecidas en este manual de instrucciones puede ocasionar lesiones personales graves.



## Símbolos

A continuación se muestran los símbolos utilizados para la herramienta.

|  |   |
|--|---|
| V  | volts o voltios   |
|  | corriente directa o continua  |
| $n_0$  | velocidad sin carga   |
| $\dots / \text{min}$<br>$r / \text{min}$   | revoluciones o alternaciones por minuto, frecuencia de rotación       |
| $\emptyset$  | diámetro  |
|  | No coloque la mano ni los dedos cerca del disco.                      |
|  | No mire fijamente la lámpara mientras se encuentra en funcionamiento. |

## Instrucciones importantes de seguridad para el cartucho de batería

1. Antes de utilizar el cartucho de batería, lea todas las instrucciones e indicaciones de precaución en el (1) el cargador de batería, (2) la batería, y (3) el producto con el que se utiliza la batería.
2. No desarme ni modifique el cartucho de batería. Podría ocurrir un incendio, calor excesivo o una explosión.
3. Si el tiempo de operación se ha acortado en exceso, deje de operar de inmediato. Podría correrse el riesgo de sobrecalentamiento, posibles quemaduras e incluso explosión.
4. En caso de que ingresen electrolitos en sus ojos, enjuáguelos bien con agua limpia y consulte de inmediato a un médico. Esto podría ocasionar pérdida de visión.
5. Evite cortocircuitar el cartucho de batería:
  - (1) No toque las terminales con ningún material conductor.
  - (2) Evite guardar el cartucho de batería en un cajón junto con otros objetos metálicos, tales como clavos, monedas, etc.
  - (3) No exponga el cartucho de batería al agua o la lluvia.Un cortocircuito en la batería puede causar un flujo grande de corriente, sobrecalentamiento, posibles quemaduras e incluso una descompostura.
6. No guarde ni utilice la herramienta y el cartucho de batería en lugares donde la temperatura pueda alcanzar o exceder los 50 °C (122 °F).
7. Nunca incinere el cartucho de batería incluso en el caso de que esté dañado seriamente o ya no sirva en absoluto. El cartucho de batería puede explotar si se tira al fuego.

8. No clave, corte, aplaste, lance o deje caer el cartucho de batería, ni golpee un objeto sólido contra el cartucho de batería. Dicha acción podría resultar en un incendio, calor excesivo o en una explosión.
9. No use una batería dañada.
10. Las baterías de ión de litio están sujetas a los requisitos reglamentarios en materia de bienes peligrosos.  
Para el transporte comercial, por ej., mediante terceros o agentes de transporte, se deben tomar en cuenta los requisitos especiales relativos al empaque y el etiquetado.  
Para efectuar los preparativos del artículo que se va a enviar, se requiere consultar a un experto en materiales peligrosos. Si es posible, consulte además otras regulaciones nacionales más detalladas.  
Pegue o cubra con cinta adhesiva los contactos abiertos y empaque la batería de manera que ésta no pueda moverse dentro del paquete.
11. Para deshacerse del cartucho de batería, sáquelo de la herramienta y deséchelo en un lugar seguro. Siga las regulaciones locales relacionadas al desecho de las baterías.
12. Utilice las baterías únicamente con los productos especificados por Makita. Instalar las baterías en productos que no cumplan con los requisitos podría ocasionar un incendio, un calentamiento excesivo, una explosión o una fuga de electrolito.
13. Si no se utiliza la herramienta por un período largo, debe extraerse la batería de la herramienta.
14. El cartucho de batería podría absorber calor durante y después de su uso, lo que ocasionaría quemaduras o quemaduras a baja temperatura. Tenga cuidado con la manipulación de los cartuchos de batería que estén calientes.
15. No toque el terminal de la herramienta inmediatamente después de su uso, ya que el mismo podría estar lo suficientemente caliente como para provocar quemaduras.
16. No permita que las rebabas, el polvo o la tierra queden atrapados en los terminales, orificios y ranuras del cartucho de batería. Podría provocar calentamiento, incendio, explosión y mal funcionamiento de la herramienta o del cartucho de batería, lo que resultaría en quemaduras o lesiones personales.
17. No utilice el cartucho de batería cerca de cables eléctricos de alto voltaje, a menos que la herramienta sea compatible con el uso cercano a estos cables eléctricos de alto voltaje. Esto podría ocasionar una avería o descompostura de la herramienta o del cartucho de batería.
18. Mantenga la batería alejada de los niños.

## GUARDE ESTAS INSTRUCCIONES.

**⚠PRECAUCIÓN:** Utilice únicamente baterías originales de Makita. El uso de baterías no originales de Makita, o de baterías alteradas, puede ocasionar que las baterías exploten causando un incendio, lesiones personales y daños. Asimismo, esto invalidará la garantía de Makita para la herramienta y el cargador Makita.

## Consejos para alargar al máximo la vida útil de la batería

1. Cargue el cartucho de batería antes de que se descargue completamente. Pare siempre la operación y cargue el cartucho de batería cuando note menos potencia en la herramienta.
2. No cargue nunca un cartucho de batería que esté completamente cargado. La sobrecarga acortará la vida de servicio de la batería.
3. Cargue el cartucho de batería a una temperatura ambiente de 10 °C - 40 °C (50 °F - 104 °F). Si un cartucho de batería está caliente, déjelo enfriar antes de cargarlo.
4. Cuando no utilice el cartucho de batería, sáquelo de la herramienta o del cargador.
5. Cargue el cartucho de batería si no va a utilizarlo durante un período prolongado (más de seis meses).

### Instrucciones importantes de seguridad para la unidad inalámbrica

1. No desarme ni modifique la unidad inalámbrica.
2. Mantenga la unidad inalámbrica alejada de los niños pequeños. En caso de ingerirla accidentalmente, solicite atención médica de inmediato.
3. Utilice la unidad inalámbrica solamente con herramientas de Makita.
4. No exponga la unidad inalámbrica a la lluvia ni a condiciones de humedad.
5. No utilice la unidad inalámbrica en lugares donde la temperatura exceda los 50 °C (122 °F).
6. No utilice la unidad inalámbrica en lugares donde haya instrumentos médicos tales como marcapasos cerca.
7. No utilice la unidad inalámbrica en lugares donde haya dispositivos automáticos cerca. Si se utiliza, los dispositivos automáticos podrían causar alguna avería o error.
8. No opere la unidad inalámbrica en lugares con alta temperatura o donde pueda generarse electricidad estática o ruido eléctrico.
9. La unidad inalámbrica puede producir campos electromagnéticos (CEM), sin embargo éstos no son dañinos para el usuario.
10. La unidad inalámbrica es un instrumento de precisión. Tenga cuidado de no dejar caer ni golpear la unidad inalámbrica.
11. Evite tocar la terminal de la unidad inalámbrica con las manos descubiertas o con materiales metálicos.
12. Retire siempre la batería del producto al instalar en él la unidad inalámbrica.
13. Cuando abra la tapa de la ranura, evite el lugar donde el polvo y el agua puedan introducirse en la ranura. Mantenga siempre la entrada de la ranura limpia.
14. Inserte siempre la unidad inalámbrica en la dirección correcta.
15. No oprima el botón de activación inalámbrica en la unidad inalámbrica demasiado fuerte, ni lo haga con ningún objeto que tenga un borde filoso.
16. Cierre siempre la tapa de la ranura durante la operación.
17. No retire la unidad inalámbrica de la ranura mientras se esté suministrando energía a la herramienta. El hacerlo podría causar una avería de la unidad inalámbrica.
18. No retire la etiqueta en la unidad inalámbrica.
19. No coloque ninguna etiqueta en la unidad inalámbrica.
20. No deje la unidad inalámbrica en un lugar donde pueda generarse electricidad estática o ruido eléctrico.
21. No deje la unidad inalámbrica en un lugar sujeto a temperaturas altas, tal como un vehículo estacionado bajo el sol.
22. No deje la unidad inalámbrica en un lugar donde haya polvo o suciedad ni en un lugar donde pueda generarse gas corrosivo.
23. Los cambios repentinos de temperatura podrían humedecer la unidad inalámbrica. No utilice la unidad inalámbrica hasta que la condensación se haya secado por completo.
24. Cuando vaya a limpiar la unidad inalámbrica, hágalo cuidadosamente usando un paño suave seco. No utilice bencina, disolvente, grasa conductora o sustancias similares.
25. Cuando vaya a almacenar la unidad inalámbrica, guárdela en el estuche suministrado o en un contenedor libre de electricidad estática.
26. No inserte ningún otro dispositivo que no sea la unidad inalámbrica de Makita en la ranura de la herramienta.
27. No utilice la herramienta si la tapa de la ranura está dañada. La entrada de agua, polvo o suciedad en la ranura podría causar una avería.
28. No jale ni tuerza la tapa de la ranura más de lo necesario. Vuelva a colocar la tapa si ésta se sale de la herramienta.
29. Reemplace la tapa de la ranura si llega a perderse o dañarse.

## GUARDE ESTAS INSTRUCCIONES.

# DESCRIPCIÓN DE LAS PIEZAS

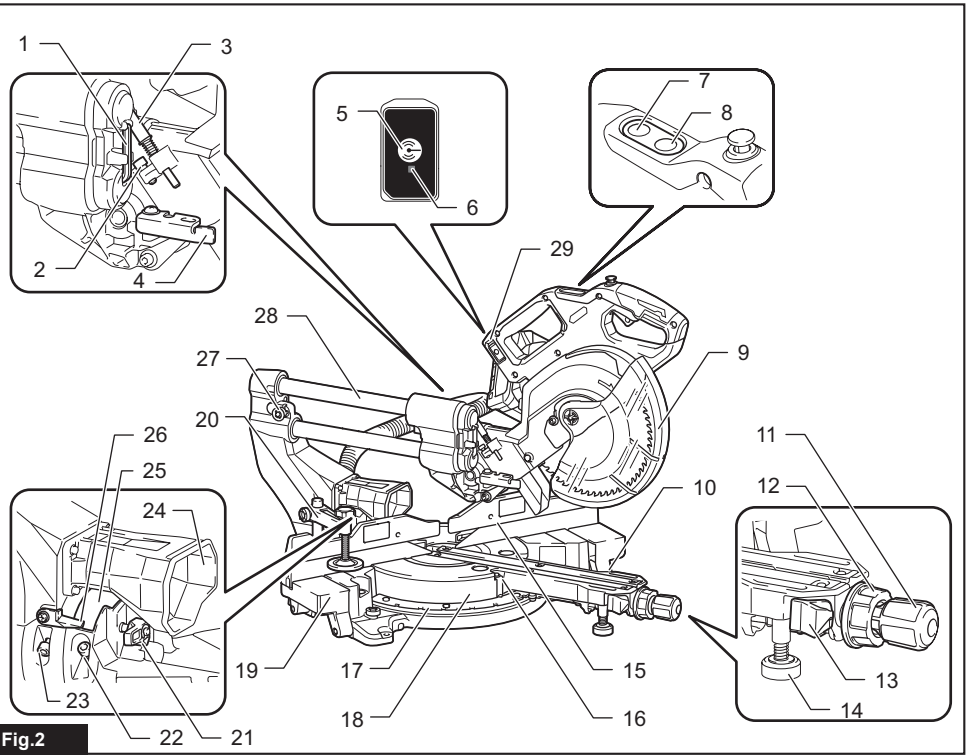


Fig.2

|    |  |    |   |    |   |    |   |
|----|--|----|---|----|---|----|---|
| 1  | Llave hexagonal  | 2  | Perno de ajuste (para la máxima capacidad de corte)               | 3  | Tornillo de ajuste (para la posición del límite inferior) | 4  | Brazo de retención                            |
| 5  | Botón de activación inalámbrica                                  | 6  | Luz indicadora de activación inalámbrica                          | 7  | Botón de aspiradora                                       | 8  | Botón de la lámpara                           |
| 9  | Protector del disco  | 10 | Panel de corte  | 11 | Perilla (para la base giratoria)                          | 12 | Selector de perilla (para el ángulo de bisel) |
| 13 | Palanca de liberación (para la base giratoria)                   | 14 | Perno de ajuste (para la base giratoria)                          | 15 | Guías laterales   | 16 | Marcador (para el ángulo de inglete)          |
| 17 | Escala del ángulo de inglete                                     | 18 | Base giratoria  | 19 | Base inferior   | 20 | Prensa vertical                               |
| 21 | Palanca de liberación (para el ángulo de bisel del lado derecho) | 22 | Perno de ajuste de 45° (para el ángulo de bisel del lado derecho) | 23 | Perno de ajuste de 0° (para el ángulo de bisel)           | 24 | Guía canalizadora para el polvo               |
| 25 | Escala del ángulo de bisel del lado derecho                      | 26 | Marcador (para el ángulo de bisel del lado derecho)               | 27 | Clavija de retención (para el deslizamiento del carro)    | 28 | Soporte de corredera                          |
| 29 | Tapa (para la unidad inalámbrica)                                | -  | -   | -  | -   | -  | -   |

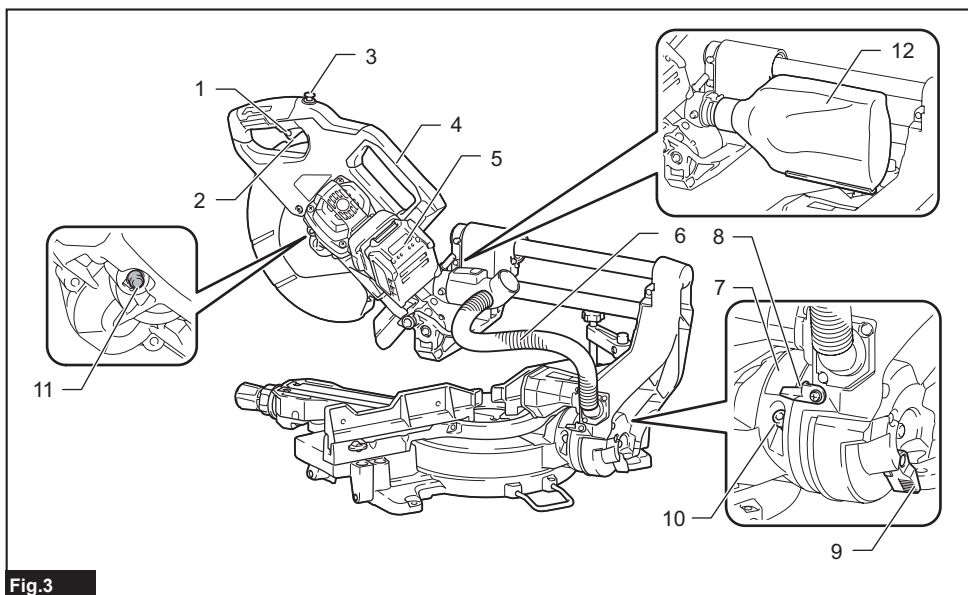


Fig.3

|   |  |    |   |    |   |    |   |
|---|--|----|---|----|---|----|---|
| 1 | Orificio para el candado                               | 2  | Gatillo interruptor   | 3  | Botón de desbloqueo                           | 4  | Empuñadura portadora  |
| 5 | Cartucho de batería                                    | 6  | Manguera de extracción de polvo                                     | 7  | Escala del ángulo de bisel del lado izquierdo | 8  | Marcador (para el ángulo de bisel del lado izquierdo)                                   |
| 9 | Palanca de liberación (para el ángulo de bisel de 48°) | 10 | Perno de ajuste de 45° (para el ángulo de bisel del lado izquierdo) | 11 | Bloqueo del eje                               | 12 | Bolsa recolectora de polvo (cuando se reemplaza con la manguera de extracción de polvo) |

## INSTALACIÓN

### Montaje en un banco de trabajo

**⚠ADVERTENCIA:** Asegúrese de que la herramienta no se mueva sobre la superficie de apoyo. El movimiento de la sierra de inglete sobre la superficie de apoyo mientras se realiza un corte podría ocasionar la pérdida del control causando lesiones personales graves.

1. Fije la base a una superficie nivelada y estable usando los pernos para atornillarla. Esto evitará que la herramienta se vuelque y provoque heridas.

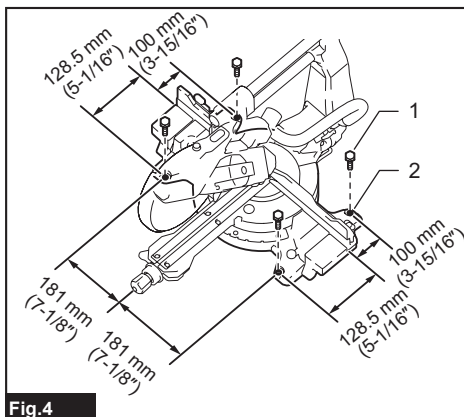


Fig.4

► 1. Perno 2. Orificio de instalación

2. Gire el perno de ajuste en el sentido de las manecillas del reloj o en sentido inverso de manera que haga contacto con la superficie del suelo y la herramienta se mantenga estable.

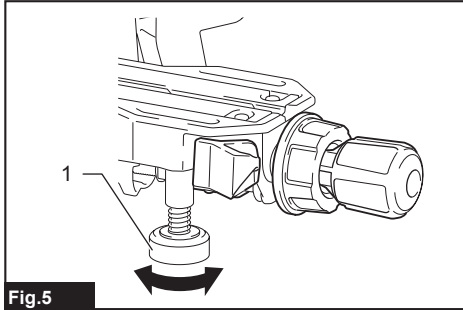


Fig.5

► 1. Perno de ajuste

## Instalación de la manguera de extracción de polvo

Conecte la manguera de extracción de polvo a la herramienta tal como se muestra en la ilustración. Asegúrese de que el codo y el manguito encajen correctamente en los puertos de la herramienta.

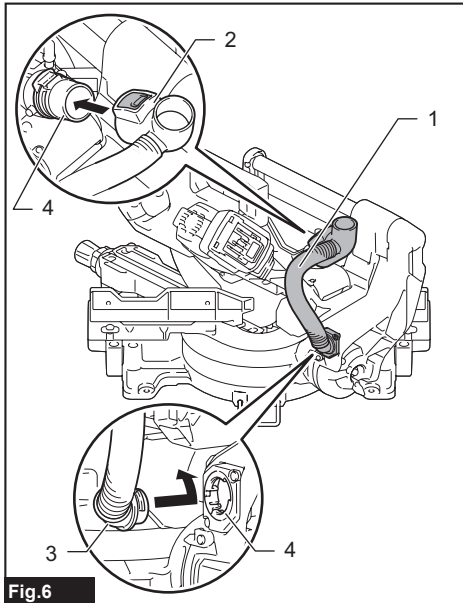


Fig.6

► 1. Manguera de extracción de polvo 2. Codo  
3. Manguito 4. Puerto

Para extraer el codo del puerto, jale del codo mientras oprime el botón de bloqueo.  
Para retirar el manguito del puerto, gírelo en el sentido de las manecillas del reloj y luego júlelo para separarlo.

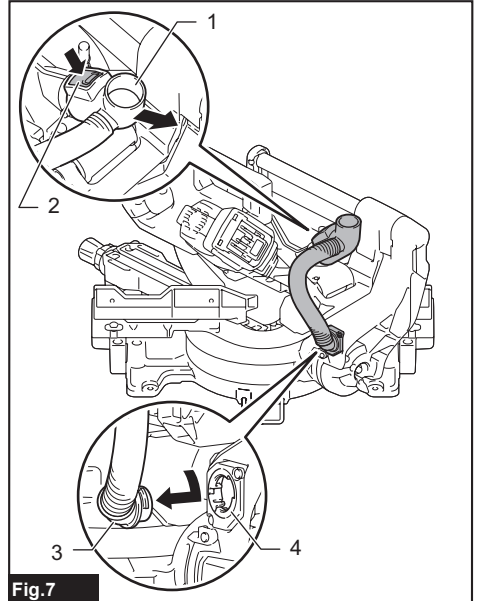


Fig.7

► 1. Codo 2. Botón de bloqueo 3. Manguito 4. Puerto

## DESCRIPCIÓN DEL FUNCIONAMIENTO

**⚠ADVERTENCIA:** Asegúrese siempre de que la herramienta esté apagada y el cartucho de batería haya sido extraído antes de realizar cualquier ajuste o revisión del funcionamiento de la herramienta. El no apagar y extraer el cartucho de batería puede provocar lesiones personales graves a causa de un encendido accidental.

## Instalación o extracción del cartucho de batería

**⚠PRECAUCIÓN:** Apague siempre la herramienta antes de colocar o quitar el cartucho de batería.

**⚠PRECAUCIÓN:** Sujete la herramienta y el cartucho de la batería con firmeza al colocar o quitar el cartucho de batería. Si no se sujeta con firmeza la herramienta y el cartucho de batería, puede ocasionar que se resbalen de sus manos causando daños a la herramienta y al cartucho de batería, así como lesiones a la persona.

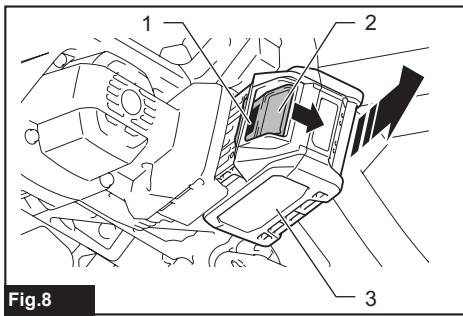


Fig.8

► 1. Indicador rojo 2. Botón 3. Cartucho de batería

Para quitar el cartucho de batería, deslícelo de la herramienta mientras desliza el botón sobre la parte delantera del cartucho.

Para instalar el cartucho de batería, alinee la lengüeta sobre el cartucho de batería con la ranura en la carcasa y deslícela hasta su lugar. Insértelo por completo hasta que se fije en su lugar con un pequeño clic. Si puede ver el indicador rojo como se muestra en la ilustración, este no ha quedado asegurado por completo.

**⚠PRECAUCIÓN:** Introduzca siempre completamente el cartucho de batería hasta que el indicador rojo no pueda verse. Si no, podría accidentalmente salirse de la herramienta y caer al suelo causando una lesión a usted o alguien a su alrededor.

**⚠PRECAUCIÓN:** No instale el cartucho de batería a la fuerza. Si el cartucho no se desliza al interior fácilmente, se debe a que no está siendo insertado correctamente.

## Sistema de protección para la herramienta/batería

La herramienta está equipada con un sistema de protección de la herramienta/batería. Este sistema corta en forma automática el suministro de energía al motor para prolongar la vida útil de la herramienta y la batería. La herramienta se detendrá automáticamente durante la operación si la herramienta o la batería se someten a una de las siguientes condiciones:

### Protección contra sobrecarga

Cuando la herramienta/batería sean utilizadas de una manera que cause que consuman una cantidad inusualmente alta de corriente, la herramienta se detendrá automáticamente. En este caso, apague la herramienta y detenga la aplicación que causó que la herramienta se sobrecargara. Luego encienda la herramienta para reiniciarla.

### Protección contra sobrecalentamiento

Cuando la herramienta/batería se sobrecaliente, la herramienta se detendrá automáticamente. En este caso, permita que la herramienta/batería se enfríe antes de volver a encender la herramienta.

## Protección contra sobredescarga

Cuando la capacidad de la batería se reduce, la herramienta se detiene automáticamente. Si el producto no funciona incluso cuando los interruptores están siendo operados, retire las baterías de la herramienta y cárguelas.

## Indicación de la capacidad restante de la batería

Oprima el botón de verificación en el cartucho de la batería para que indique la capacidad restante de la batería. Las luces indicadoras se iluminarán por algunos segundos.

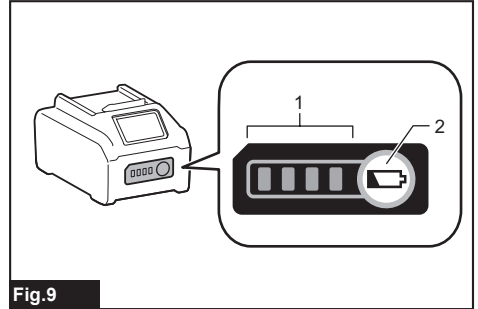


Fig.9

► 1. Luces indicadoras 2. Botón de verificación

| Luces indicadoras |          |             | Capacidad restante                    |
|-------------------|----------|-------------|---------------------------------------|
| Iluminadas        | Apagadas | Parpadeando |                                       |
| ■ ■ ■ ■           | □ □ □ □  | ▧           | 75% a 100%                            |
| ■ ■ ■ □           | □ □ □ □  | ▧           | 50% a 75%                             |
| ■ ■ □ □           | □ □ □ □  | ▧           | 25% a 50%                             |
| ■ □ □ □           | □ □ □ □  | ▧           | 0% a 25%                              |
| ▧ □ □ □           | □ □ □ □  | ▧           | Cargar la batería.                    |
| ■ ■ □ □           | □ □ □ □  | ▧           | La batería pudo haber funcionado mal. |
| □ □ □ □           | ■ ■ ■ ■  | ▧           |                                       |

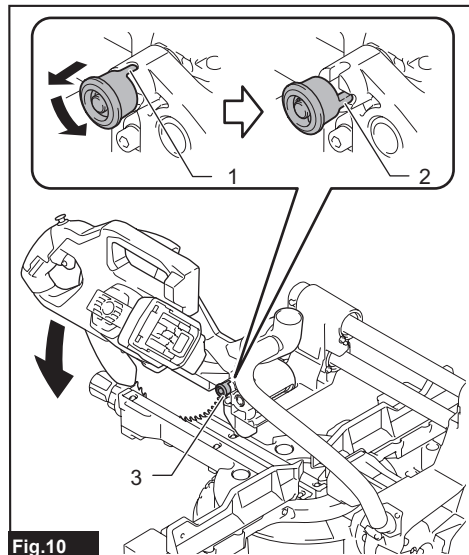
**NOTA:** Dependiendo de las condiciones de uso y la temperatura ambiente, la indicación podrá diferir ligeramente de la capacidad real.

**NOTA:** La primera luz indicadora (extrema izquierda) parpadeará cuando el sistema de protección de batería esté en funcionamiento.

## Bloqueo de la empuñadura

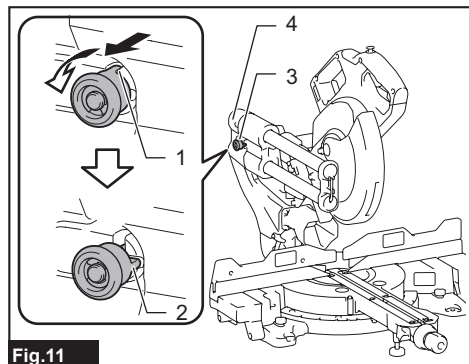
**⚠PRECAUCIÓN:** Siempre sostenga la empuñadura al liberar la clavija de retención. De lo contrario, la empuñadura se levanta de golpe y puede provocar una lesión.

Cuando la herramienta sale de fábrica, la empuñadura es bloqueada en la posición hacia abajo con la clavija de retención. Para desbloquear la empuñadura, jale la clavija de retención y gírela 90° mientras baja ligeramente la empuñadura.



## Bloqueo de deslizamiento

Jale la clavija de retención y gírela 90° en una posición desbloqueada para permitir el movimiento libre del carro. Para bloquear el movimiento deslizante del carro, empuje el carro hacia el brazo hasta que se detenga, y luego regrese la clavija de retención en una posición bloqueada.



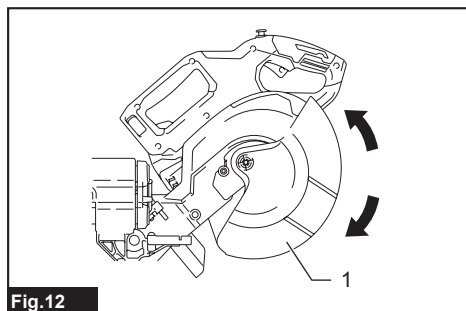
## Protector del disco

**⚠ADVERTENCIA:** Nunca inhabilite o quite el protector del disco, ni el resorte que lo fija. Un disco expuesto como resultado de inhabilitar el protector puede causar graves lesiones personales durante la operación.

**⚠ADVERTENCIA:** Nunca use la herramienta si el protector del disco o el resorte están dañados, defectuosos o hacen falta. La operación de la herramienta con algún daño o defecto en el protector o si éste hace falta puede causar lesiones personales graves.

**⚠PRECAUCIÓN:** Siempre mantenga el protector del disco en buen estado para una operación segura. Detenga de inmediato la operación en caso de haber alguna irregularidad con el protector del disco. Asegúrese de comprobar la acción de regreso del protector mediante el resorte.

Al bajar la empuñadura, el protector del disco se levanta automáticamente. El protector del disco es accionado por resorte, por lo que éste regresará a su posición original al terminar de realizar el corte y la empuñadura sea levantada.





## Limpieza

Si el protector transparente del disco se ensucia, o si el aserrín se adhiere causando que el disco y/o la pieza de trabajo no puedan verse fácilmente, retire el cartucho de batería y limpie cuidadosamente el protector con un paño húmedo. No utilice disolventes ni limpiadores a base de petróleo sobre el protector de plástico ya que esto podría dañarlo.

Siga las instrucciones paso a paso enumeradas sobre cómo prepararse para la limpieza.

1. Asegúrese de apagar la herramienta y retirar el cartucho de batería.
2. Gire el perno de cabeza hexagonal en sentido inverso al de las manecillas del reloj usando la llave hexagonal suministrada sosteniendo la cubierta central.
3. Levante el protector del disco y la cubierta central.
4. Una vez finalizada la limpieza, coloque de nuevo la cubierta central y apriete el perno de cabeza hexagonal siguiendo los pasos de arriba en orden inverso.
5. Asegúrese de regresar el disco de la sierra circular y la cubierta central a sus posiciones originales, y apriete el perno de cabeza hexagonal.

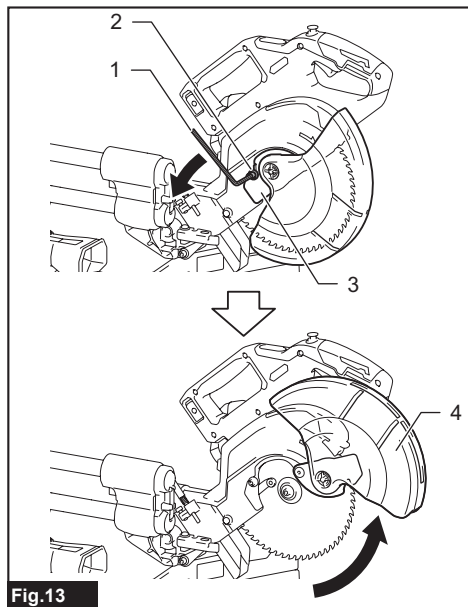


Fig.13

- 1. Llave hexagonal 2. Perno de cabeza hexagonal 3. Cubierta central 4. Protector del disco

**⚠ ADVERTENCIA:** No quite el resorte que sujeta el protector del disco. Si el protector se daña con el transcurso del tiempo o por exposición a luz ultravioleta, póngase en contacto con un centro de servicio Makita para solicitar un repuesto. **NO INHABILITE NI RETIRE EL PROTECTOR.**

## Posicionamiento del panel de corte

La base giratoria de esta herramienta viene provista con paneles de corte a fin de minimizar el desgaste en el lado de salida del corte. Los paneles de corte están ajustados de fábrica de manera que éstos no hagan contacto con el disco de la sierra circular. Antes de utilizar la herramienta, ajuste los paneles de corte de la siguiente manera:

1. Asegúrese de extraer el cartucho de batería. Luego, afloje todos los tornillos (tres de cada lado a la izquierda y la derecha) fijando los paneles de corte.

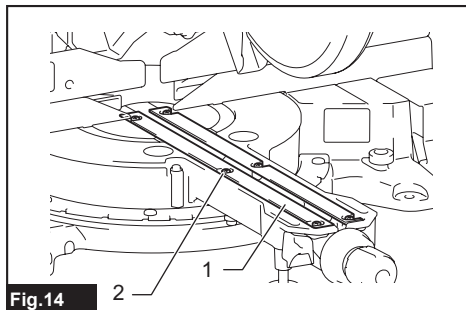


Fig.14

- 1. Panel de corte 2. Tornillo

2. Vuelva a apretarlos sólo hasta el punto en que los paneles de corte puedan aún moverse manualmente con facilidad.
3. Baje la empuñadura por completo y luego jale y gire la clavija de retención para bloquear la empuñadura en la posición inferior.
4. Jale y gire la clavija de retención del soporte de corredera para permitir el deslizamiento del carro.

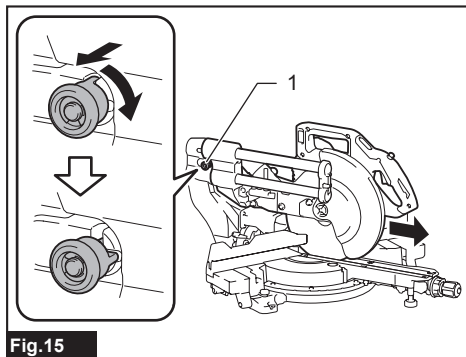


Fig.15

- 1. Clavija de retención

5. Jale el carro por completo hacia usted.



6. Ajuste los paneles de corte de manera que éstos sólo hagan contacto con los costados de los dientes del disco.

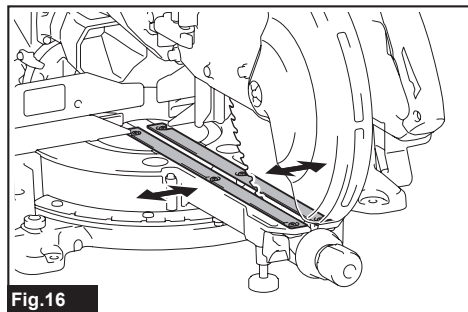


Fig.16

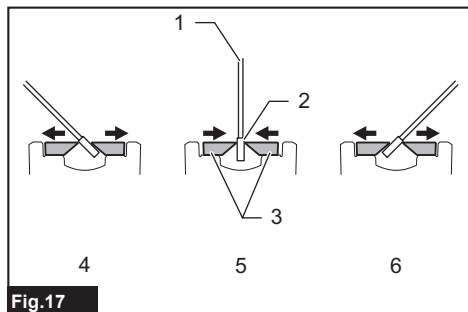


Fig.17

- 1. Disco de la sierra 2. Dientes del disco 3. Panel de corte 4. Corte en bisel izquierdo 5. Corte recto 6. Corte en bisel derecho

7. Apriete los tornillos delanteros (no los apriete por completo).
8. Deslice el carro desde abajo a la parte media entre el extremo delantero de los paneles de corte y las guías laterales. Ajuste los paneles de corte de manera que éstos sólo hagan contacto con los costados de los dientes del disco.
9. Apriete los tornillos centrales (no los apriete por completo).
10. Empuje el carro hacia las guías laterales por completo y luego ajuste los paneles de corte de tal forma que éstos apenas hagan contacto con los costados de los dientes del disco.
11. Apriete los tornillos traseros (no los apriete por completo).
12. Una vez ajustados los paneles de corte, libere la clavija de retención para bloquear la empuñadura y levante la empuñadura. Luego apriete todos los tornillos firmemente.

**AVISO:** Tras ajustar el ángulo de bisel, asegure que los paneles de corte queden ajustados correctamente. El ajuste correcto de los paneles de corte ayudará a ofrecer un apoyo adecuado de la pieza de trabajo minimizando su desplazamiento.

## Manteniendo la máxima capacidad de corte

Esta herramienta está ajustada de fábrica para ofrecer la máxima capacidad de corte para un disco de la sierra de 216 mm (8-1/2").

Al instalar un disco de la sierra circular nuevo, revise siempre la posición del límite inferior del disco de la sierra circular y, de ser necesario, haga el ajuste como se indica a continuación:

1. Retire el cartucho de batería. Luego, empuje el carro hacia la guía lateral por completo y baje la empuñadura totalmente.

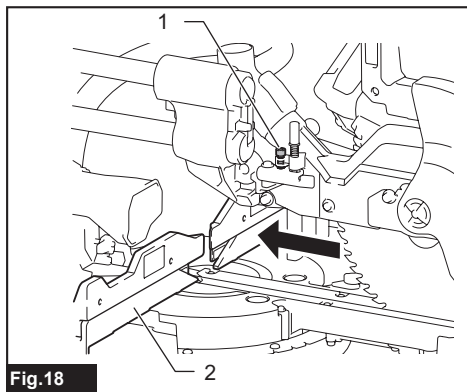


Fig.18

- 1. Perno de ajuste 2. Guía lateral

2. Use la llave hexagonal para girar el perno de ajuste hasta que el disco de la sierra circular se coloque ligeramente debajo de la sección transversal de la guía lateral y la parte superior de la base giratoria.

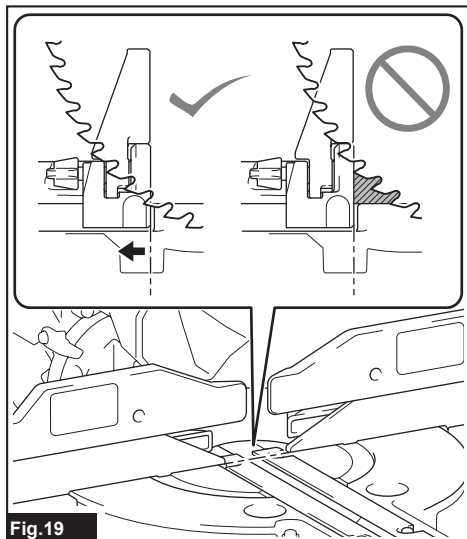


Fig.19

3. Gire el disco manualmente mientras sostiene la empuñadura completamente hacia abajo para asegurar que el disco de la sierra circular no haga contacto con ninguna pieza de la base inferior. Reajuste ligeramente, en caso necesario.

**⚠ADVERTENCIA:** Tras la colocación de un disco de la sierra circular nuevo y con el cartucho de batería retirado, asegúrese siempre de que el disco de la sierra circular no haga contacto con ninguna pieza de la base inferior al bajar la empuñadura por completo. Si un disco de la sierra circular hace contacto con la base, puede producirse un retroceso brusco ocasionando lesiones personales graves.

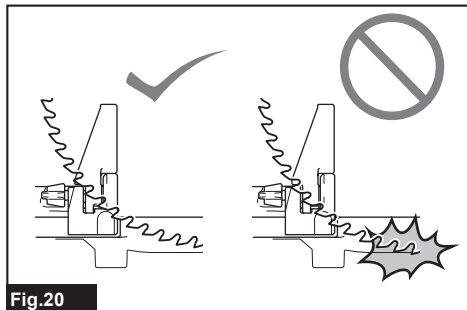


Fig.20

## Brazo de retención

La posición del límite inferior del disco de la sierra circular puede ser ajustada fácilmente con el brazo de retención. Para hacerlo, mueva el brazo de retención en dirección de la flecha, tal como se muestra en la figura. Gire el tornillo de ajuste de manera que el disco se detenga en la posición deseada al bajar por completo la empuñadura.

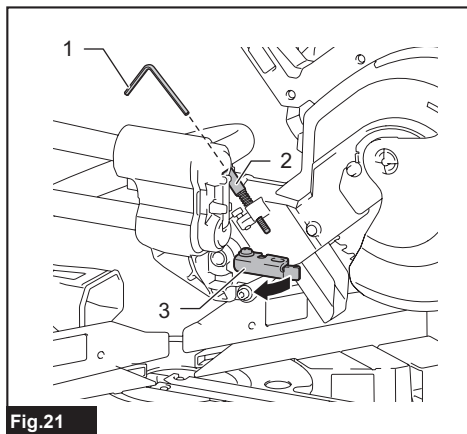


Fig.21

- 1. Llave Allen (hexagonal) 2. Tornillo de ajuste  
3. Brazo de retención

**⚠PRECAUCIÓN:** Siempre sostenga la empuñadura firmemente cuando realice el ajuste. El no hacerlo podría ocasionar que el carro brinque hacia arriba y cause una lesión.

## Ajuste del ángulo de inglete

**⚠PRECAUCIÓN:** Después de cambiar el ángulo de inglete, asegure siempre la base giratoria al regresar la palanca de liberación en una posición bloqueada y apretar la perilla firmemente.

**AVISO:** Antes de girar la base, asegúrese de subir completamente la empuñadura.

1. Gire la perilla en sentido inverso al de las manecillas del reloj y oprima la palanca de liberación en una posición desbloqueada.
2. Sostenga y oscile la perilla de lado a lado para girar la base.
3. Alinee el marcador con su ángulo deseado en la escala del ángulo de inglete.
4. Empuje hacia arriba la palanca de liberación en una posición bloqueada y apriete la perilla.

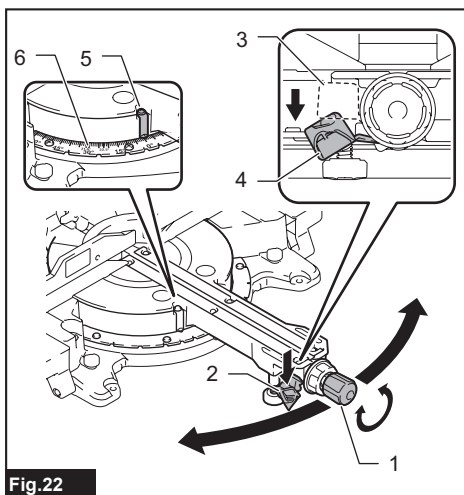


Fig.22

- 1. Perilla 2. Palanca de liberación 3. Posición bloqueada 4. Posición desbloqueada 5. Marcador 6. Escala del ángulo de inglete

## Función de tope de seguridad

Esta sierra de inglete emplea la función de tope de seguridad. Usted puede ajustar el ángulo de inglete izquierdo o derecho rápidamente en 0°, 15°, 22,5°, 31,6°, 45°, y 60°.

1. Gire la base cerca del ángulo de tope de seguridad deseado mientras presiona hacia abajo la palanca de liberación en la posición desbloqueada.
2. Empuje deliberadamente la palanca de liberación hacia arriba hasta la mitad entre la posición desbloqueada y la posición bloqueada.
3. Gire la base al ángulo de tope de seguridad deseado hasta que esta se asegure.
4. Empuje la palanca de liberación hacia arriba en la posición bloqueada y apriete la perilla.

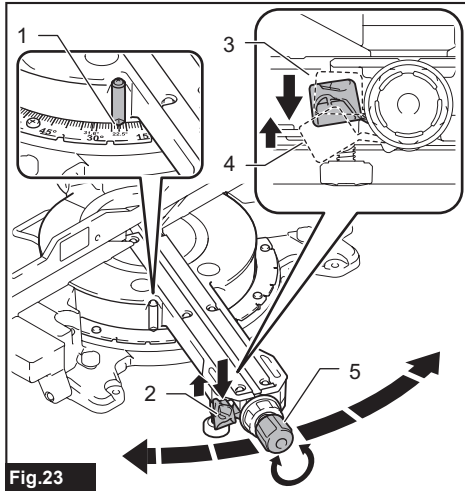


Fig.23

- 1. Ángulo del tope de seguridad 2. Palanca de liberación 3. Posición bloqueada 4. Posición desbloqueada 5. Perilla

## Ajuste del ángulo de bisel

**⚠PRECAUCIÓN:** Después de cambiar el ángulo de bisel, siempre asegure el brazo apretando el selector de perilla en el sentido de las manecillas del reloj.

**AVISO:** Retire siempre las guías laterales superiores y la prensa vertical antes de ajustar el ángulo de bisel.

**AVISO:** Cuando incline el disco de la sierra circular, asegúrese de que el carro esté completamente elevado.

**AVISO:** Cuando cambie los ángulos de bisel, asegúrese de volver a posicionar adecuadamente los paneles de corte, tal como se explica en la sección para posicionamiento de los paneles de corte.

**AVISO:** No apriete el selector de perilla con demasiada fuerza. El hacerlo podría causar una avería en el mecanismo de bloqueo del ángulo de bisel.

## Inclinación del disco de la sierra circular a la izquierda

1. Gire el selector de perilla en sentido inverso al de las manecillas del reloj.
2. Sostenga la empuñadura e incline el carro a la izquierda.
3. Alinee el marcador con su ángulo deseado en la escala del ángulo de bisel.
4. Apriete el selector de perilla en el sentido de las manecillas del reloj para asegurar el brazo.

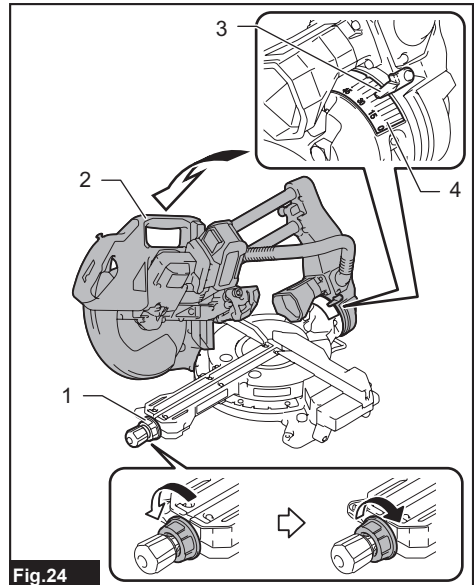
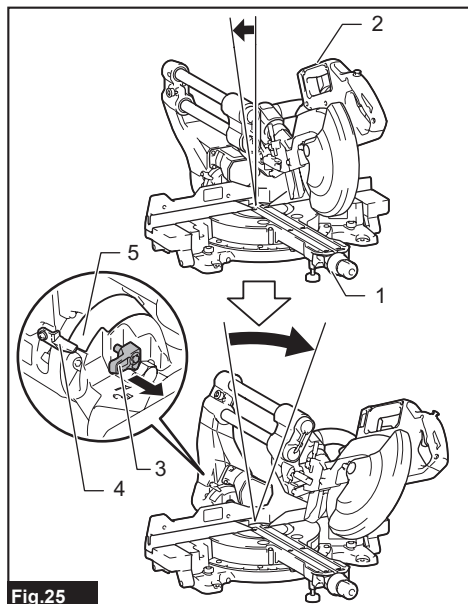


Fig.24

- 1. Selector de perilla 2. Empuñadura 3. Marcador 4. Escala del ángulo de bisel

## Inclinación del disco de la sierra circular a la derecha

1. Gire el selector de perilla en sentido inverso al de las manecillas del reloj.
2. Sostenga la empuñadura e incline el carro a la izquierda ligeramente.
3. Inclíne el carro a la derecha mientras jala la palanca de liberación para el ángulo de bisel del lado derecho.
4. Alinee el marcador con su ángulo deseado en la escala del ángulo de bisel.
5. Apriete el selector de perilla en el sentido de las manecillas del reloj para asegurar el brazo.

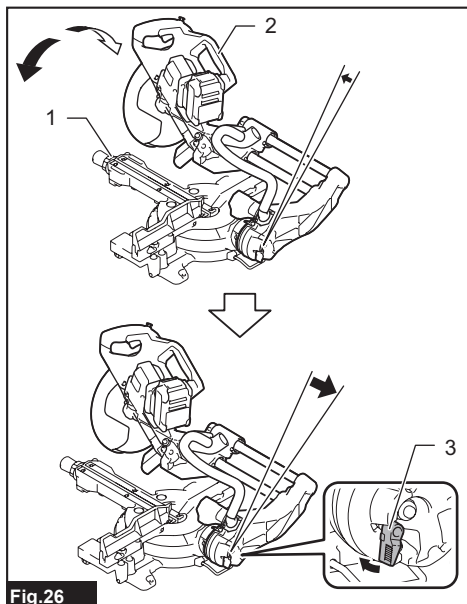


**Fig.25**

- 1. Selector de perilla 2. Empuñadura 3. Palanca de liberación para el ángulo de bisel del lado derecho 4. Marcador 5. Escala del ángulo de bisel

## Inclinación del disco de la sierra circular más allá del rango de 0° a 45°

1. Gire el selector de perilla en sentido inverso al de las manecillas del reloj.
2. Sostenga la empuñadura e incline el carro en un ángulo de 45°, ya sea a la izquierda o a la derecha.
3. Jale el carro hacia atrás ligeramente y gire la palanca de liberación para el ángulo de bisel de 48° en el sentido de las manecillas del reloj.
4. Inclíne el carro más hacia la izquierda o a la derecha mientras mantiene liberada la palanca.
5. Apriete el selector de perilla en el sentido de las manecillas del reloj para asegurar el brazo.



**Fig.26**

- 1. Selector de perilla 2. Empuñadura 3. Palanca de liberación para el ángulo de bisel de 48°

## Accionamiento del interruptor

**⚠ADVERTENCIA:** Antes de instalar el o los cartuchos de batería en la herramienta, compruebe siempre que el gatillo interruptor se accione debidamente y que regrese a la posición de apagado una vez que se suelte. No jale fuertemente el gatillo interruptor sin presionar el botón de desbloqueo. Esto podría dañar el interruptor. Usar una herramienta con un interruptor que no funciona adecuadamente puede resultar en pérdida del control ocasionando graves lesiones a la persona.

**⚠ADVERTENCIA:** NUNCA use la herramienta sin un gatillo interruptor completamente funcional. Cualquier herramienta con un interruptor que no funciona correctamente es SUMAMENTE PELIGROSA y debe ser reparada antes de continuar su uso o podría causar lesiones personales graves.

**⚠ADVERTENCIA:** NUNCA inhabilite el botón de desbloqueo manteniéndolo presionado con cinta adhesiva o mediante otro método. El uso de un interruptor con un botón de desbloqueo inhabilitado puede ocasionar una operación accidental y lesiones personales graves.

**⚠ADVERTENCIA:** NUNCA use la herramienta si se activa simplemente al jalar el gatillo interruptor sin que haya presionado el botón de desbloqueo. El uso de un interruptor que requiere reparación puede ocasionar una operación accidental y lesiones personales graves. Lleve la herramienta a un centro de servicio Makita para las reparaciones apropiadas ANTES de continuar su uso.

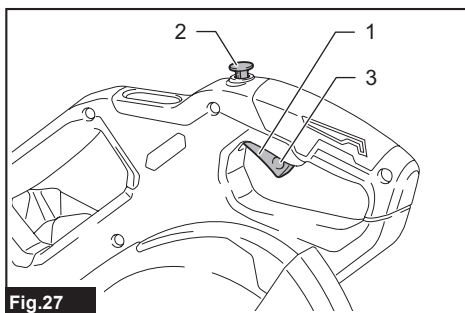


Fig.27

- 1. Gatillo interruptor 2. Botón de desbloqueo  
3. Orificio para el candado

El botón de desbloqueo es suministrado para evitar jalar accidentalmente el gatillo interruptor. Para encender la herramienta, presione el botón de desbloqueo y jale el gatillo interruptor. Para detenerla, suelte el gatillo interruptor.

El gatillo interruptor cuenta con un orificio para insertar un candado para el bloqueo de la herramienta.

**⚠ADVERTENCIA:** No utilice un candado con un fuste o cable de menos de 6,35 mm (1/4") de diámetro. Un fuste o cable menor podría no bloquear la herramienta adecuadamente en la posición de apagado, ocasionando una operación accidental que podría causar lesiones personales graves.

## Proyección de una línea de corte

**⚠PRECAUCIÓN:** La lámpara no es a prueba de lluvia. No limpie la lámpara sumergiéndola en agua ni la use bajo la lluvia o en un área mojada. El hacerlo podría causar una descarga eléctrica y producir humo.

**⚠PRECAUCIÓN:** No toque el lente de la lámpara ya que éste llega a calentarse mucho cuando está encendida o poco después de haberla apagado. Esto podría provocar quemaduras.

**⚠PRECAUCIÓN:** Evite los impactos a la lámpara, ya que podrían causarle daños o acortar su vida útil.

**⚠PRECAUCIÓN:** No mire a la luz ni vea a la fuente de luz directamente.

La lámpara LED proyecta una luz sobre el disco de la sierra circular, y una sombra del disco cae sobre una pieza de trabajo y que funciona como un indicador de línea de corte libre de calibración. Oprima el botón de la lámpara para proyectar una luz. Aparece una línea en la cual el disco se encontrará con la superficie de la pieza de trabajo, profundizándose a medida que el disco se baja.

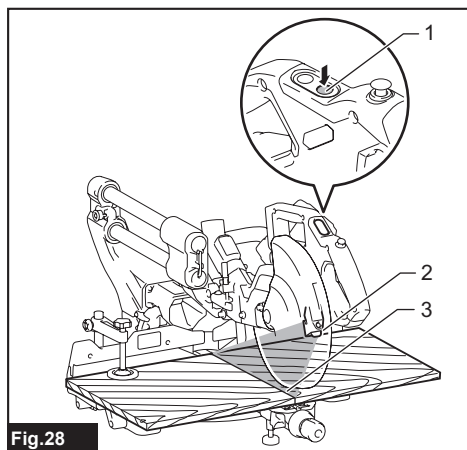


Fig.28

- 1. Botón de la lámpara 2. Lámpara 3. Línea de corte

El indicador ayuda a cortar una línea de corte existente dibujada en una pieza de trabajo.

1. Sujete la empuñadura y baje el disco de la sierra circular, para que una sombra densa del disco se arroje contra una pieza de trabajo.

2. Alinee una línea de corte dibujada en la pieza de trabajo con la línea de corte sombreada.

3. Ajuste los ángulos de inglete y los ángulos de bisel si es necesario.

**NOTA:** Asegúrese de apagar el interruptor de la lámpara después de usarla, porque encender la luz consume la energía de la batería.

**NOTA:** La luz se apaga automáticamente 5 minutos después de que interrumpe la operación.

## Función eléctrica

### Freno eléctrico

La herramienta está equipada con un freno eléctrico para el disco. Si de manera consistente la herramienta no cesa de funcionar rápidamente después de soltar el gatillo interruptor, lleve la herramienta a un centro de servicio Makita para que le den mantenimiento.

### Control de velocidad constante

La herramienta está equipada con un control electrónico de velocidad que ayuda a mantener una velocidad de rotación constante del disco aun estando bajo carga. Una velocidad de rotación constante del disco dará como resultado un corte muy suave.

### Función de inicio suave

Esta función permite un arranque suave de la herramienta limitando la torsión durante la puesta en marcha.

## MONTAJE

**⚠ADVERTENCIA:** Asegúrese siempre de que la herramienta esté apagada y el cartucho de batería extraído antes de realizar algún trabajo con la herramienta. No seguir esta indicación de retirar el cartucho de la batería de la herramienta puede que resulte en graves lesiones personales.

### Almacenamiento de la llave Allen (hexagonal)

Cuando no la utilice, guarde la llave hexagonal como se muestra en la figura para evitar que se pierda.

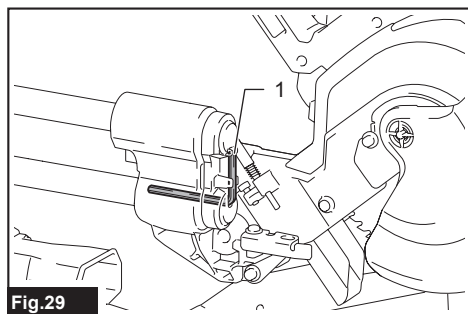


Fig.29

► 1. Llave Allen (hexagonal)

## Extracción e instalación del disco de la sierra

**⚠ADVERTENCIA:** Siempre asegúrese de que la herramienta esté apagada y que el cartucho de batería haya sido extraído antes de desinstalar e instalar el disco de la sierra circular. El encendido accidental de la herramienta puede resultar en lesiones personales graves.

**⚠ADVERTENCIA:** Utilice sólo la llave Makita provista para extraer e instalar el disco de la sierra circular. El no utilizar la llave podría ocasionar un apriete excesivo o insuficiente del perno de cabeza hexagonal y provocar lesiones personales graves.

**⚠ADVERTENCIA:** Nunca utilice ni sustituya las piezas que no se suministran con esta herramienta. El uso de tales piezas podría causar lesiones personales graves.

**⚠ADVERTENCIA:** Después de instalar el disco de la sierra circular, asegúrese de que éste quede instalado firmemente. La sujeción suelta del disco de la sierra circular podría causar lesiones personales graves.

### Extracción del disco

Para retirar el disco de la sierra circular, siga los pasos siguientes:

1. Bloquee el carro en la posición elevada tirando y girando la clavija de retención en una posición bloqueada.

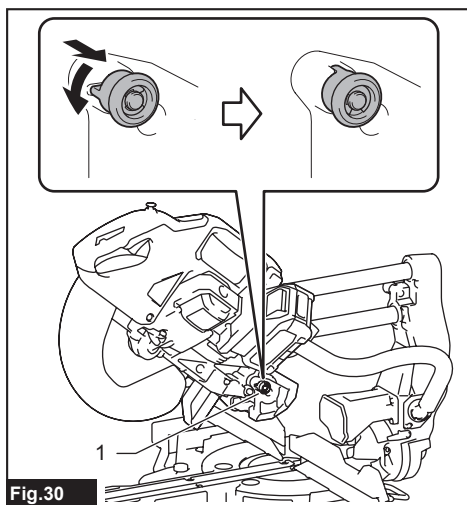


Fig.30

► 1. Clavija de retención

2. Use la llave hexagonal para aflojar el perno de cabeza hexagonal que sostiene la cubierta central. Luego, levante el protector del disco y la cubierta central.

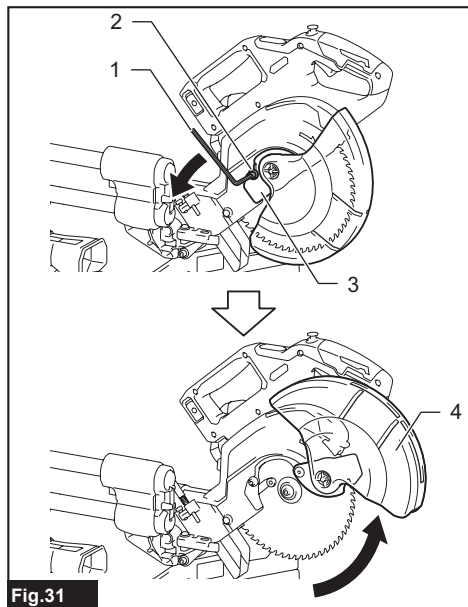


Fig.31

► 1. Llave hexagonal 2. Perno de cabeza hexagonal 3. Cubierta central 4. Protector del disco

3. Presione el bloqueo de eje para bloquear el eje y use la llave hexagonal para aflojar el perno de cabeza hexagonal en el sentido de las manecillas del reloj. Después retire el perno de cabeza hexagonal, la brida exterior y el disco de la sierra circular.

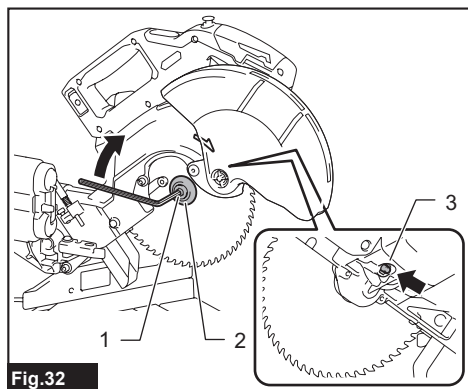


Fig.32

► 1. Perno de cabeza hexagonal (rosca hacia la izquierda) 2. Brida exterior 3. Bloqueo de eje

4. Si la brida interior es extraída, instálela en el eje con su lado hueco orientado hacia el disco de la sierra circular. Si la brida se coloca incorrectamente, ésta rozará contra la máquina.

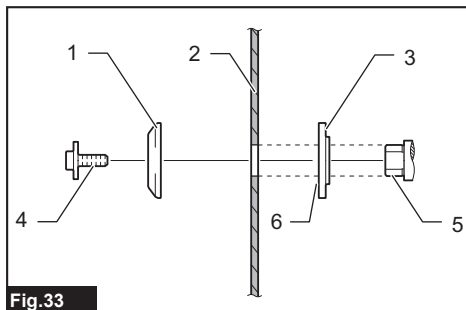


Fig.33

► 1. Brida exterior 2. Disco de la sierra circular 3. Brida interior 4. Perno de cabeza hexagonal (a mano izquierda) 5. Eje 6. Lado hueco

## Instalación del disco

**⚠PRECAUCIÓN:** Asegúrese de instalar el disco de la sierra circular, de manera que la dirección de la flecha del disco coincida con la de la caja del disco. El no hacerlo podría ocasionar lesiones personales y causar daños a la herramienta y/o la pieza de trabajo.

Para instalar el disco de la sierra circular, siga los pasos siguientes:

1. Instale el disco de la sierra circular cuidadosamente en la brida interior. Asegúrese de que la dirección de la flecha del disco de la sierra circular coincida con la dirección de la flecha de la caja del disco.

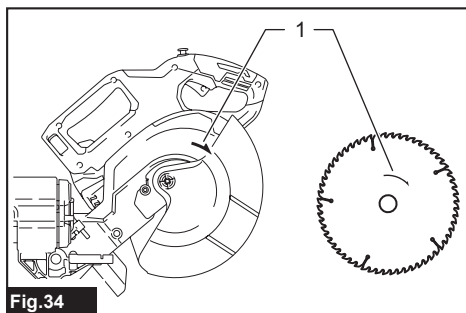


Fig.34

► 1. Flecha



2. Instale la brida exterior y el perno de cabeza hexagonal, y luego use la llave hexagonal para apretar el perno de cabeza hexagonal (a mano izquierda) en sentido inverso al de las manecillas del reloj y firmemente mientras presiona el bloqueo del eje.

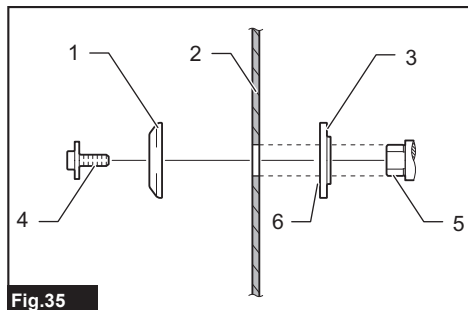


Fig.35

1. Brida exterior 2. Disco de la sierra circular 3. Brida interior 4. Perno de cabeza hexagonal (rosca hacia la izquierda) 5. Eje 6. Lado hueco

3. Regrese el protector del disco y la cubierta central a su posición original. Luego, apriete el perno de cabeza hexagonal de la cubierta central para asegurarla.

4. Jale y gire la clavija de retención para liberar el carro de la posición levantada. Baje el carro y verifique que el protector del disco se mueva adecuadamente.

## Conexión de una aspiradora

Cuando desee realizar una operación de corte limpia, conecte una aspiradora Makita a la boquilla para polvo (puerto superior para polvo) usando un manguito delantero 24 (accesorio opcional).

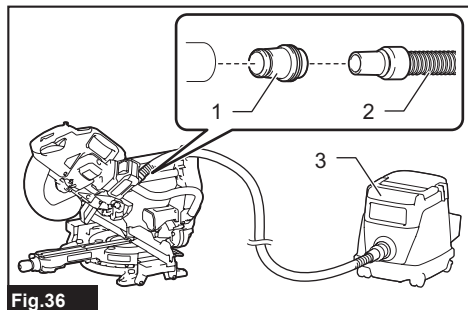


Fig.36

1. Manguitos delanteros 24 2. Manguera 3. Aspiradora

## Bolsa recolectora de polvo

**PRECAUCIÓN:** Cuando realice un corte, siempre coloque la bolsa recolectora de polvo o conecte una aspiradora para evitar los riesgos relacionados con el polvo.

El uso de la bolsa recolectora de polvo permite realizar operaciones de corte limpias y facilita la recolección de polvo. Para colocar la bolsa recolectora de polvo, retire la manguera de extracción de polvo de la herramienta y conecte la bolsa recolectora de polvo a la boquilla para polvo (puerto superior para polvo).

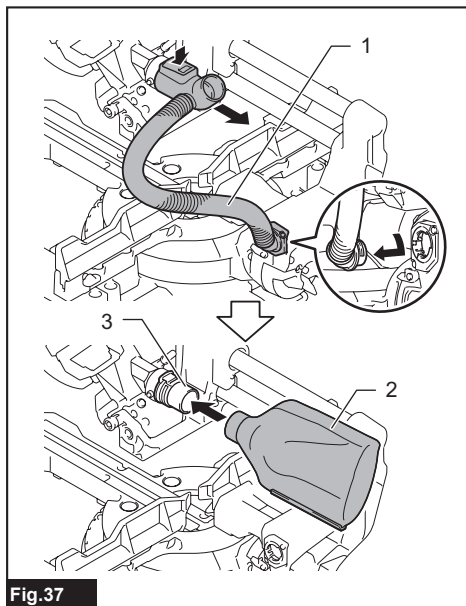


Fig.37

1. Manguera de extracción de polvo 2. Bolsa recolectora de polvo 3. Boquilla para polvo (puerto superior para polvo)

Cuando la bolsa recolectora de polvo se haya llenado casi a la mitad, retírela de la herramienta y abra el cierre. Vacíe el contenido de la bolsa recolectora de polvo golpeándola ligeramente a fin de remover las partículas adheridas en el interior que pudieran dificultar la recolección más adelante.

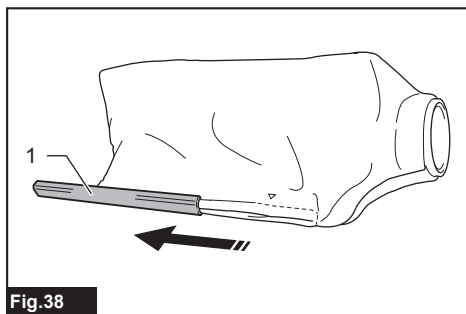


Fig.38

1. Cierre



## Aseguramiento de la pieza de trabajo

**⚠ADVERTENCIA:** Es extremadamente importante siempre asegurar correctamente la pieza de trabajo con el tipo apropiado de prensa. El no hacerlo podría ocasionar lesiones personales graves y causar daños a la herramienta y/o la pieza de trabajo.

**⚠ADVERTENCIA:** Al cortar una pieza de trabajo de un tamaño mayor que la base de la sierra, la pieza deberá apoyarse sobre toda su longitud más allá de la base de apoyo a la misma altura de ésta para mantener la pieza nivelada. Un apoyo adecuado de la pieza de trabajo ayudará a evitar que el disco se trabe ocasionando un posible retroceso brusco que podría causar lesiones personales graves. No dependa solamente de las prensas vertical y/u horizontal que fijan la pieza de trabajo. Las piezas delgadas tienden a pandearse. Apoye la pieza de trabajo sobre su longitud completa para evitar que el disco se trabe, así como un posible RETROCESO BRUSCO.

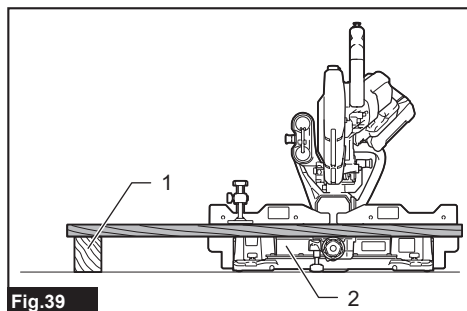


Fig.39

► 1. Apoyo 2. Base giratoria

## Guías laterales

**⚠ADVERTENCIA:** Antes de operar la herramienta, asegúrese de que la guía superior esté firmemente asegurada.

**⚠ADVERTENCIA:** Antes de realizar un corte en bisel, asegúrese de que ninguna de las piezas de la herramienta, en especial el disco, haga contacto con las guías superior e inferior cuando baje y levante totalmente la empuñadura en cualquier posición y al desplazar el carro a través de su rango completo de recorrido. Si la herramienta o el disco llegaran a hacer contacto con la guía, podría producirse un retroceso brusco o algún movimiento inesperado del material ocasionando lesiones personales graves.

Utilice las guías superiores para apoyar el material más arriba de las guías inferiores. Afloje el tornillo de fijación para que las guías superiores se deslicen hacia adentro y hacia afuera sobre las guías inferiores. Vuelva a colocar las guías y luego apriete el tornillo.

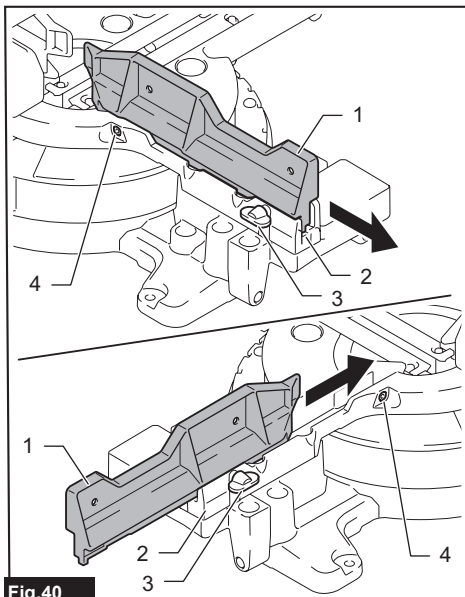


Fig.40

► 1. Guía superior 2. Guía inferior 3. Tornillo de fijación 4. Tornillo de ajuste

**AVISO:** Las guías inferiores vienen fijadas a la base de fábrica. No quite las guías inferiores.

**AVISO:** Si la guía superior sigue estando suelta después de apretar el tornillo de fijación, gire el tornillo de ajuste para cerrar el espacio. El tornillo de ajuste viene ajustado de fábrica. No tiene que usarlo a menos que se requiera.

## Presna vertical

**⚠ADVERTENCIA:** La pieza de trabajo deberá estar firmemente sujeta contra la base giratoria y la guía lateral con la prensa durante todas las operaciones. Si la pieza de trabajo no queda debidamente asegurada contra la guía, el material podría desplazarse durante la operación de corte ocasionando daños al disco, y salir disparado causando la pérdida de control y lesiones personales graves.

La prensa vertical se puede instalar en dos posiciones, cada una del lado izquierdo y del lado derecho de la base. Inserte la varilla de la prensa en uno de los orificios de la base. Posicione el brazo de la prensa según el grosor y la forma de la pieza de trabajo y asegúrelo apretando el tornillo de fijación. Si el tornillo de fijación hace contacto con el carro, instálelo en el lado opuesto del brazo de la prensa. Asegúrese de que ninguna pieza de la herramienta haga contacto con la prensa al bajar por completo la empuñadura. Si alguna pieza hace contacto con la prensa, vuelva a posicionar la prensa. Presione la pieza de trabajo en forma horizontal contra las guías laterales y la base giratoria. Coloque la pieza de trabajo en la posición de corte deseada y asegúrela con firmeza ajustando el seguro de la prensa.

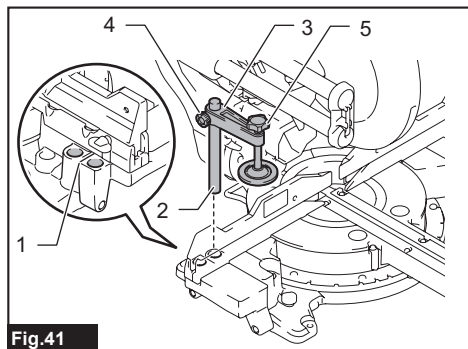


Fig.41

- 1. Orificios 2. Varilla de la prensa 3. Brazo de la prensa 4. Tornillo de fijación 5. Seguro de la prensa

## Presna horizontal

### Accesorio opcional

**⚠ADVERTENCIA:** Gire siempre el soporte de la tuerca en el sentido de las manecillas del reloj hasta que la pieza de trabajo quede firmemente asegurada. Si la pieza de trabajo no queda debidamente asegurada, el material podría desplazarse durante la operación de corte ocasionando daños al disco de la sierra circular, y salir disparado causando la pérdida de control y lesiones personales graves.

**⚠ADVERTENCIA:** Utilice siempre la prensa horizontal cuando corte piezas de trabajo delgadas, tales como zócalos, contra la guía.

**⚠PRECAUCIÓN:** Cuando corte una pieza de trabajo con un grosor de 20 mm (13/16") o menos, asegúrese de usar un bloque espaciador para asegurar la pieza de trabajo.

La prensa horizontal se puede instalar ya sea del lado izquierdo o del lado derecho de la base. Cuando realice cortes en inglete de 22,5° o más, instale la prensa horizontal en el lado opuesto a la dirección en la que la base giratoria vaya a girar.

Si gira el soporte de la tuerca en sentido inverso al de las manecillas del reloj, la prensa se liberará y podrá desplazarse rápidamente hacia adentro y hacia afuera. Para sujetar la pieza de trabajo, empuje el seguro de la prensa adelante hasta que la placa haga contacto con la pieza de trabajo y gire el soporte de la tuerca de la prensa en el sentido de las manecillas del reloj. Luego gire el seguro de la prensa en el sentido de las manecillas del reloj para asegurar la pieza de trabajo.

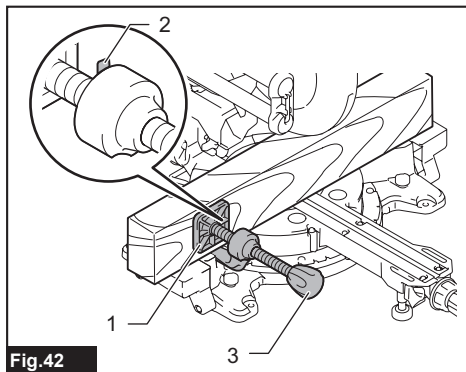


Fig.42

- 1. Placa de la prensa 2. Soporte de la tuerca 3. Seguro de la prensa

**NOTA:** El ancho máximo de la pieza de trabajo que puede asegurarse con la prensa horizontal es de 68 mm (2-11/16").

## Base inferior

**⚠ADVERTENCIA:** Apoye siempre una pieza de trabajo de gran tamaño de tal forma que esté nivelada con la superficie de la base giratoria para un corte preciso y para evitar una pérdida peligrosa del control de la herramienta. Un apoyo adecuado de la pieza de trabajo ayudará a evitar que el disco se trabe ocasionando un posible retroceso brusco que podría causar lesiones personales graves.

**⚠ADVERTENCIA:** Antes de la operación de corte, asegúrese siempre de que las bases inferiores estén aseguradas por los tornillos.

Para sostener piezas de trabajo largas de forma horizontal, la herramienta cuenta con bases inferiores a ambos lados. Afloje los tornillos y extienda las bases inferiores a una longitud adecuada para sostener la pieza de trabajo. Luego apriete los tornillos.

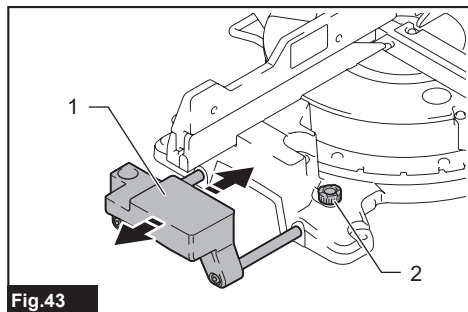


Fig.43

► 1. Base inferior 2. Tornillo

Cuando corte, coloque la pieza de trabajo en forma horizontal contra las guías laterales.

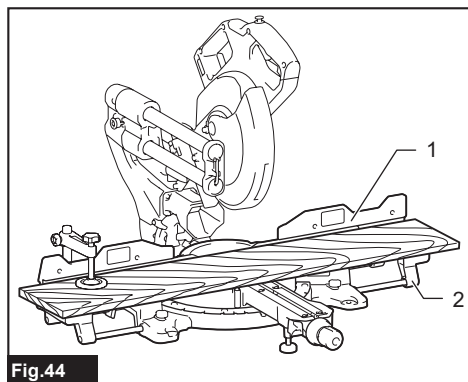


Fig.44

► 1. Guía lateral 2. Base inferior

## OPERACIÓN

Esta herramienta está diseñada para cortar productos de madera. Con los discos de la sierra apropiados y originales de Makita también se pueden cortar los siguientes materiales:

— Productos de aluminio

Consulte nuestro sitio web o póngase en contacto con su distribuidor local de Makita para información sobre los discos de sierra circular correctos para emplearse con el material que se va a cortar.

**⚠ADVERTENCIA:** Asegúrese de que el disco de la sierra circular no esté haciendo contacto con la pieza de trabajo u otro material antes de activar el interruptor. Encender la herramienta mientras el disco de la sierra circular esté haciendo contacto con la pieza de trabajo puede ocasionar retrocesos bruscos y lesiones personales graves.

**⚠ADVERTENCIA:** Tras una operación de corte, no levante el disco de la sierra circular hasta que este se haya detenido por completo. Levantar un disco que aún se encuentra girando puede causar lesiones personales graves y daños a la pieza de trabajo.

**⚠ADVERTENCIA:** No realice ningún ajuste en la herramienta, tal como mover la perilla, las palancas o la clavija de retención mientras el disco de la sierra circular esté girando. El hacer ajustes mientras el disco de la sierra circular está girando podría ocasionar lesiones personales graves.

**AVISO:** Antes de usar la herramienta, asegúrese de desbloquear la clavija de retención y liberar la empuñadura de la posición hacia abajo.

**AVISO:** No haga excesiva presión sobre la empuñadura mientras corta. Demasiada fuerza podría sobrecargar el motor y/o disminuir la eficacia del corte. La fuerza ejercida sobre la empuñadura debe ser sólo la necesaria para realizar un corte parejo sin disminuir de manera significativa la velocidad del disco.

**AVISO:** Presione suavemente la empuñadura para realizar el corte. Si la empuñadura es oprimida con fuerza, o si aplica presión lateral, el disco de la sierra circular vibrará y dejará una marca (marca de sierra) en la pieza de trabajo y la precisión del corte se verá perjudicada.

**AVISO:** Cuando realice un corte por deslizamiento, empuje suavemente el carro hacia las guías laterales sin detenerse. Si el carro se detiene durante el corte, quedará una marca en la pieza de trabajo y la precisión de dicho corte se verá perjudicada.

## Corte con prensa

**⚠ADVERTENCIA:** Bloquee siempre el movimiento de deslizamiento del carro cuando realice un corte con prensa. El cortar sin haberlo bloqueado podría causar un retroceso brusco ocasionando lesiones personales graves.

Las piezas de trabajo de hasta 70 mm (2-3/4") de alto y 92 mm (3-5/8") de ancho pueden ser cortadas de la siguiente manera.

1. Empuje el carro hacia las guías laterales hasta que se detenga y bloquéelo con la clavija de retención.
2. Asegure la pieza de trabajo con el tipo adecuado de prensa.
3. Encienda la herramienta sin que el disco de la sierra circular haga contacto alguno y espere a que éste adquiera velocidad completa antes de bajar la empuñadura.

- Luego baje lentamente la empuñadura a la posición completamente hacia abajo para realizar el corte en la pieza de trabajo.
- Una vez finalizado el corte, apague la herramienta y **espere hasta que el disco de la sierra circular se haya detenido por completo** antes de regresar el disco de la sierra circular a su posición completamente elevada.

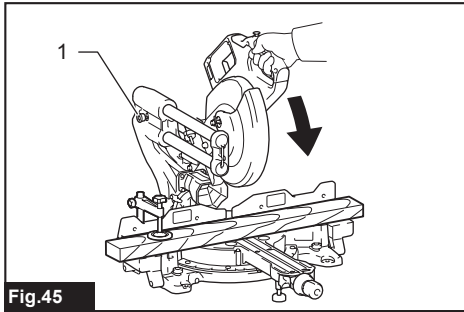


Fig.45

- 1. Clavija de retención

### Corte por deslizamiento (empuje) (corte de piezas de trabajo anchas)

**⚠ADVERTENCIA:** Siempre que realice un corte por deslizamiento, jale primero el carro por completo hacia usted y presione la empuñadura completamente hacia abajo, y luego empuje el carro hacia la guía lateral. Nunca inicie el corte con el carro sin haberlo jalado completamente hacia usted. Si realiza cortes por deslizamiento sin haber jalado el carro completamente hacia usted, podrían generarse retrocesos bruscos inesperados causando lesiones personales graves.

**⚠ADVERTENCIA:** Nunca intente realizar un corte por deslizamiento mientras jala el carro hacia usted. Jalar el carro hacia usted mientras se realiza un corte puede ocasionar retrocesos bruscos inesperados causando lesiones personales graves.

**⚠ADVERTENCIA:** Nunca realice cortes por deslizamiento con la empuñadura bloqueada en la posición hacia abajo.

- Desbloquee las clavijas de retención, de manera que el carro pueda elevarse y deslizarse libremente.
- Asegure la pieza de trabajo con el tipo adecuado de prensa.
- Jale el carro por completo hacia usted.
- Encienda la herramienta sin que el disco de la sierra circular haga contacto alguno y espere a que éste adquiera velocidad completa.
- Presione hacia abajo la empuñadura y **empuje el carro hacia las guías laterales y a través de la pieza de trabajo.**

- Una vez finalizado el corte, apague la herramienta y **espere hasta que el disco de la sierra circular se haya detenido por completo** antes de regresar el disco de la sierra circular a su posición completamente elevada.

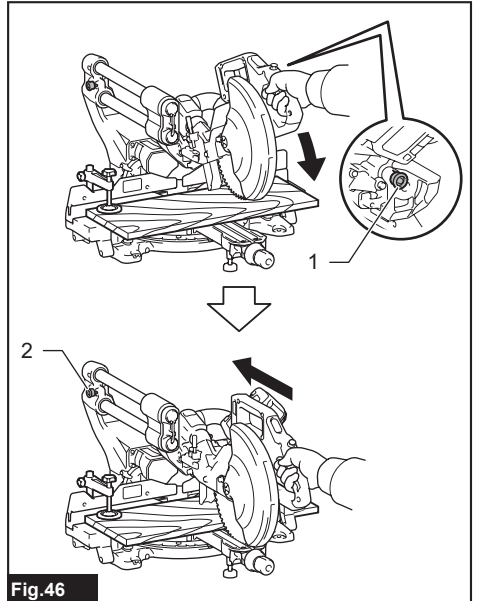


Fig.46

- 1. Clavija de retención para el bloqueo de la empuñadura  
2. Clavija de retención para el bloqueo de deslizamiento

### Corte en inglete

Consulte la sección para ajustar el ángulo de inglete.

### Corte en bisel

**⚠ADVERTENCIA:** Una vez que haya ajustado el disco de la sierra circular para realizar un corte en bisel, asegúrese de que el carro y el disco de la sierra circular puedan desplazarse libremente a través del rango completo del corte previsto antes de operar la herramienta. La interrupción del trayecto del carro o disco de la sierra circular durante la operación de corte puede ocasionar retrocesos bruscos causando lesiones personales graves.

**⚠ADVERTENCIA:** Mientras realiza cortes en bisel, mantenga las manos fuera de la ruta del disco de la sierra circular. El ángulo del disco de la sierra circular puede confundir al operador respecto a la ruta actual del disco mientras se realiza el corte haciendo que tenga contacto con el disco de la sierra circular lo cual causará lesiones personales graves.

**⚠ADVERTENCIA:** El disco de la sierra circular no deberá levantarse hasta que se haya detenido por completo. El fragmento cortado de una pieza de trabajo durante un corte en bisel podría quedar colocado contra el disco de la sierra circular. Si el disco de la sierra circular se eleva mientras está girando, el fragmento cortado podría ser proyectado por el disco de la sierra circular causando que se fragmente, lo que podría ocasionar lesiones personales graves.

**AVISO:** Al presionar la empuñadura hacia abajo, hágalo paralelamente con el disco de la sierra circular. Si se aplica fuerza de manera perpendicular a la base giratoria o si la dirección de la presión es modificada durante el corte, la precisión del corte se verá afectada.

1. Retire la guía superior del lado donde vaya a inclinar el carro.
2. Desbloquee las clavijas de retención, de manera que el carro pueda elevarse y deslizarse libremente.
3. Ajuste el ángulo de bisel conforme al procedimiento explicado en la sección para ajuste del ángulo de bisel. Luego apriete el selector de perilla.
4. Asegure la pieza de trabajo con una prensa.
5. Jale el carro por completo hacia usted.
6. Encienda la herramienta sin que el disco de la sierra circular haga contacto alguno y espere a que éste adquiera velocidad completa.
7. Baje suavemente la empuñadura hasta la posición completamente hacia abajo aplicando presión paralelamente con el disco de la sierra circular y **empuje el carro hacia las guías laterales para cortar la pieza de trabajo.**
8. Una vez finalizado el corte, apague la herramienta y espere hasta que el disco de la sierra circular se haya detenido por completo antes de regresar el disco de la sierra circular a su posición completamente elevada.

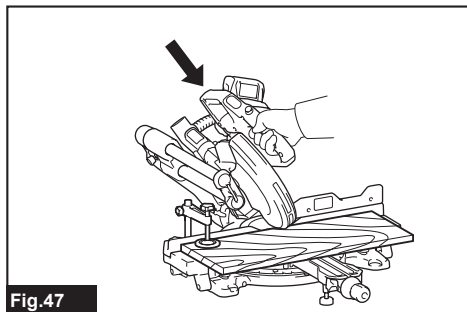


Fig.47

## Corte compuesto

El corte compuesto es un proceso en el que el ángulo de bisel se hace al mismo tiempo en el que el ángulo de inglete está siendo cortado en la pieza de trabajo. El corte compuesto puede realizarse en el ángulo que se muestra en la tabla.

| Ángulo de inglete            | Ángulo de bisel              |
|------------------------------|------------------------------|
| Izquierdo y derecho 0° a 45° | Izquierdo y derecho 0° a 45° |

Cuando realice un corte compuesto, consulte la sección para corte con prensa, corte por deslizamiento (empuje), corte en inglete y corte en bisel.

## Corte de molduras corona y cóncava

Las molduras corona y cóncava pueden ser cortadas con una sierra de inglete telescópica, colocando las molduras sobre la base giratoria.

Existen dos tipos comunes de molduras corona y un tipo de moldura cóncava; moldura corona de ángulo de pared de 52/38°, moldura corona de ángulo de pared de 45° y moldura cóncava de ángulo de pared de 45°.

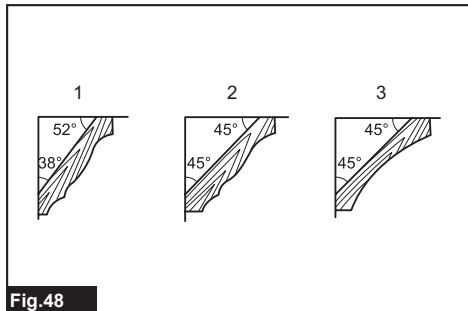
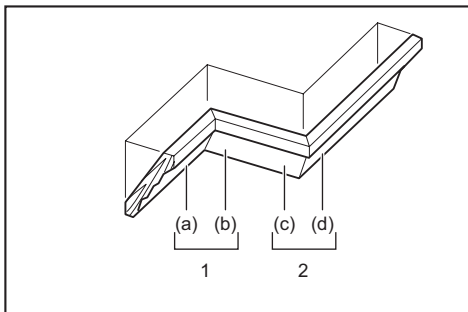


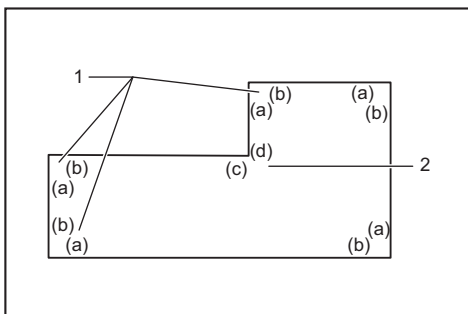
Fig.48

- 1. Moldura tipo corona de 52/38° 2. Moldura tipo corona de 45° 3. Moldura tipo cóncava de 45°

Existen juntas de molduras corona y molduras cóncavas que se realizan para ser insertadas en rincones "Internos" de 90° ((a) y (b) en la figura) y rincones "Externos" de 90° ((c) y (d) en la figura).



1. Rincón interno 2. Rincón externo



1. Rincón interno 2. Rincón externo

## Medición

Mida el ancho de la pared y ajuste la anchura de la pieza de trabajo de acuerdo con éste. Siempre asegúrese de que el ancho del borde de contacto con la pared de la pieza de trabajo sea el mismo que la longitud de la pared.

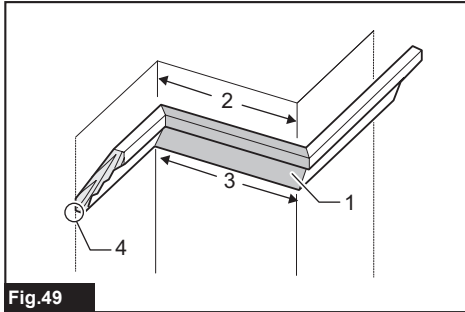
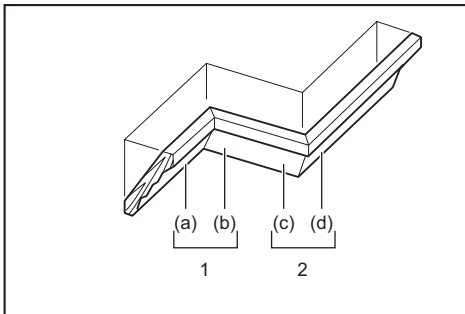


Fig.49

- 1. Pieza de trabajo 2. Anchura de la pared  
3. Anchura de la pieza de trabajo 4. Borde de contacto con la pared

Siempre haga pruebas de corte con varias piezas a fin de verificar los ángulos de la sierra. Cuando corte molduras corona y cóncava, fije el ángulo de bisel y el ángulo de inglete tal como se indica en la tabla (A), y posicione las molduras en la parte superior de la base de la sierra tal como se indica en la tabla (B).

## En caso de corte en bisel izquierdo



1. Rincón interno 2. Rincón externo

Tabla (A)

| -                   | Posición de la moldura en la figura | Ángulo de bisel |               | Ángulo de inglete |                 |
|---------------------|-------------------------------------|-----------------|---------------|-------------------|-----------------|
|                     |                                     | Tipo de 52/38°  | Tipo de 45°   | Tipo de 52/38°    | Tipo de 45°     |
| Para rincón interno | (a)                                 | Izquierda 33,9° | Izquierda 30° | Derecha 31,6°     | Derecha 35,3°   |
|                     | (b)                                 |                 |               | Izquierda 31,6°   | Izquierda 35,3° |
| Para rincón externo | (c)                                 |                 |               | Derecha 31,6°     | Derecha 35,3°   |
|                     | (d)                                 |                 |               |                   |                 |

Tabla (B)

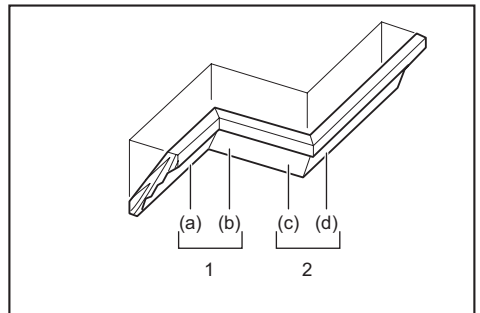
| -                   | Posición de la moldura en la figura | Borde de la moldura contra la guía lateral                             | Pieza terminada   |
|---------------------|-------------------------------------|--|---|
| Para rincón interno | (a)                                 | El borde de contacto con el techo deberá estar contra la guía lateral. | La pieza terminada estará del lado izquierdo del disco. |
|                     | (b)                                 | El borde de contacto con la pared deberá estar contra la guía lateral. | La pieza terminada estará del lado derecho del disco.   |
| Para rincón externo | (c)                                 | El borde de contacto con el techo deberá estar contra la guía lateral. | La pieza terminada estará del lado izquierdo del disco. |
|                     | (d)                                 | El borde de contacto con el techo deberá estar contra la guía lateral. | La pieza terminada estará del lado derecho del disco.   |

Ejemplo:

En caso de cortar una moldura tipo corona de 52/38° para la posición (a) en la figura de arriba:

- Incline y asegure la posición del ángulo de bisel a 33,9° a la IZQUIERDA.
- Ajuste y asegure la posición del ángulo de inglete a 31,6° a la DERECHA.
- Coloque la moldura corona con la superficie ancha de la parte trasera (oculta) sobre la base giratoria con el BORDE DE CONTACTO CON EL TECHO apoyado sobre la guía lateral de la sierra.
- La pieza terminada a ser utilizada siempre debe estar del lado IZQUIERDO del disco de la sierra circular luego de terminado el corte.

## En caso de un corte en bisel derecho



1. Rincón interno 2. Rincón externo

Tabla (A)

| -                   | Posición de la moldura en la figura | Ángulo de bisel |             | Ángulo de inglete |                 |
|---------------------|-------------------------------------|-----------------|-------------|-------------------|-----------------|
|                     |                                     | Tipo de 52/38°  | Tipo de 45° | Tipo de 52/38°    | Tipo de 45°     |
| Para rincón interno | (a)                                 | Derecha 33,9°   | Derecha 30° | Derecha 31,6°     | Derecha 35,3°   |
|                     | (b)                                 |                 |             | Izquierda 31,6°   | Izquierda 35,3° |
| Para rincón externo | (c)                                 |                 |             | Derecha 31,6°     | Derecha 35,3°   |
|                     | (d)                                 |                 |             |                   |                 |

**Tabla (B)**

| -                   | Posición de la moldura en la figura | Borde de la moldura contra la guía lateral                             | Pieza terminada   |
|---------------------|-------------------------------------|--|---|
| Para rincón interno | (a)                                 | El borde de contacto con la pared deberá estar contra la guía lateral. | La pieza terminada estará del lado derecho del disco.   |
|                     | (b)                                 | El borde de contacto con el techo deberá estar contra la guía lateral. |   |
| Para rincón externo | (c)                                 | El borde de contacto con el techo deberá estar contra la guía lateral. | La pieza terminada estará del lado izquierdo del disco. |
|                     | (d)                                 | El borde de contacto con la pared deberá estar contra la guía lateral. |   |

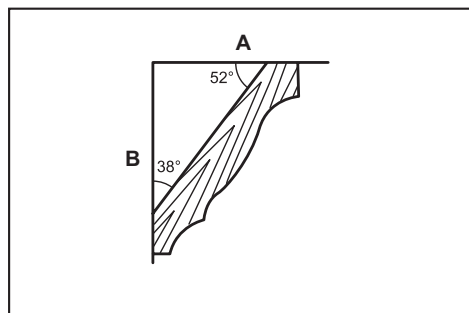
Ejemplo:

En caso de cortar una moldura tipo corona de 52/38° para la posición (a) en la figura de arriba:

- Incline y asegure la posición del ángulo de bisel a 33,9° a la DERECHA.
- Ajuste y asegure la posición del ángulo de inglete a 31,6° a la DERECHA.
- Coloque la moldura de corona con la superficie ancha de la parte trasera (oculta) hacia abajo sobre la base giratoria con el BORDE DE CONTACTO CON LA PARED apoyado contra la guía lateral en la sierra.
- La pieza terminada a ser utilizada siempre debe estar del lado DERECHO del disco de la sierra circular luego de terminado el corte.

# Ajustes del ángulo de inglete y de bisel

De la pared al ángulo de la moldura corona: 52°/38°



| 1   | 2    | 3    |
|-----|------|------|
| 60  | 43.0 | 46.8 |
| 61  | 42.8 | 46.3 |
| 62  | 42.5 | 45.7 |
| 63  | 42.2 | 45.1 |
| 64  | 41.9 | 44.6 |
| 65  | 41.7 | 44.0 |
| 66  | 41.4 | 43.5 |
| 67  | 41.1 | 42.9 |
| 68  | 40.8 | 42.4 |
| 69  | 40.5 | 41.9 |
| 70  | 40.2 | 41.3 |
| 71  | 39.9 | 40.8 |
| 72  | 39.6 | 40.3 |
| 73  | 39.3 | 39.8 |
| 74  | 39.0 | 39.2 |
| 75  | 38.7 | 38.7 |
| 76  | 38.4 | 38.2 |
| 77  | 38.1 | 37.7 |
| 78  | 37.8 | 37.2 |
| 79  | 37.4 | 36.8 |
| 80  | 37.1 | 36.3 |
| 81  | 36.8 | 35.8 |
| 82  | 36.5 | 35.3 |
| 83  | 36.2 | 34.8 |
| 84  | 35.8 | 34.4 |
| 85  | 35.5 | 33.9 |
| 86  | 35.2 | 33.4 |
| 87  | 34.9 | 33.0 |
| 88  | 34.5 | 32.5 |
| 89  | 34.2 | 32.1 |
| 90  | 33.9 | 31.6 |
| 91  | 33.5 | 31.2 |
| 92  | 33.2 | 30.7 |
| 93  | 32.8 | 30.3 |
| 94  | 32.5 | 29.9 |
| 95  | 32.2 | 29.4 |
| 96  | 31.8 | 29.0 |
| 97  | 31.5 | 28.6 |
| 98  | 31.1 | 28.2 |
| 99  | 30.8 | 27.7 |
| 100 | 30.4 | 27.3 |

| 1   | 2    | 3    |
|-----|------|------|
| 101 | 30.1 | 26.9 |
| 102 | 29.7 | 26.5 |
| 103 | 29.4 | 26.1 |
| 104 | 29.0 | 25.7 |
| 105 | 28.7 | 25.3 |
| 106 | 28.3 | 24.9 |
| 107 | 28.0 | 24.5 |
| 108 | 27.6 | 24.1 |
| 109 | 27.2 | 23.7 |
| 110 | 26.9 | 23.3 |
| 111 | 26.5 | 22.9 |
| 112 | 26.1 | 22.6 |
| 113 | 25.8 | 22.2 |
| 114 | 25.4 | 21.8 |
| 115 | 25.0 | 21.4 |
| 116 | 24.7 | 21.0 |
| 117 | 24.3 | 20.7 |
| 118 | 23.9 | 20.3 |
| 119 | 23.6 | 19.9 |
| 120 | 23.2 | 19.6 |
| 121 | 22.8 | 19.2 |
| 122 | 22.5 | 18.8 |
| 123 | 22.1 | 18.5 |
| 124 | 21.7 | 18.1 |
| 125 | 21.3 | 17.8 |
| 126 | 21.0 | 17.4 |
| 127 | 20.6 | 17.1 |
| 128 | 20.2 | 16.7 |
| 129 | 19.8 | 16.4 |
| 130 | 19.5 | 16.0 |
| 131 | 19.1 | 15.7 |
| 132 | 18.7 | 15.3 |
| 133 | 18.3 | 15.0 |
| 134 | 17.9 | 14.6 |
| 135 | 17.6 | 14.3 |
| 136 | 17.2 | 14.0 |
| 137 | 16.8 | 13.6 |
| 138 | 16.4 | 13.3 |
| 139 | 16.0 | 13.0 |
| 140 | 15.6 | 12.8 |

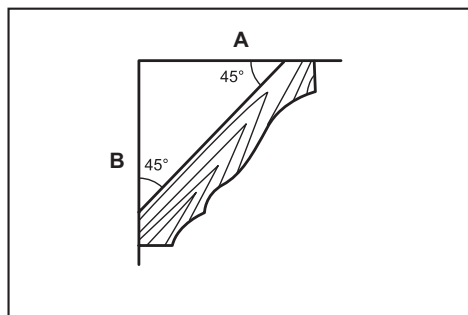
| 1   | 2    | 3    |
|-----|------|------|
| 141 | 15.3 | 12.3 |
| 142 | 14.9 | 12.0 |
| 143 | 14.5 | 11.6 |
| 144 | 14.1 | 11.3 |
| 145 | 13.7 | 11.0 |
| 146 | 13.3 | 10.7 |
| 147 | 12.9 | 10.3 |
| 148 | 12.5 | 10.0 |
| 149 | 12.2 | 9.7  |
| 150 | 11.8 | 9.4  |
| 151 | 11.4 | 9.0  |
| 152 | 11.0 | 8.7  |
| 153 | 10.8 | 8.4  |
| 154 | 10.2 | 8.1  |
| 155 | 9.8  | 7.8  |
| 156 | 9.4  | 7.5  |
| 157 | 9.0  | 7.1  |
| 158 | 8.6  | 6.8  |
| 159 | 8.3  | 6.5  |
| 160 | 7.9  | 6.2  |
| 161 | 7.5  | 5.9  |
| 162 | 7.1  | 5.6  |
| 163 | 6.7  | 5.3  |
| 164 | 6.3  | 4.9  |
| 165 | 5.9  | 4.6  |
| 166 | 5.5  | 4.3  |
| 167 | 5.1  | 4.0  |
| 168 | 4.7  | 3.7  |
| 169 | 4.3  | 3.4  |
| 170 | 3.9  | 3.1  |
| 171 | 3.5  | 2.8  |
| 172 | 3.2  | 2.5  |
| 173 | 2.8  | 2.2  |
| 174 | 2.4  | 1.8  |
| 175 | 2.0  | 1.5  |
| 176 | 1.6  | 1.2  |
| 177 | 1.2  | 0.9  |
| 178 | 0.8  | 0.6  |
| 179 | 0.4  | 0.3  |
| 180 | 0.0  | 0.0  |

A Lado del techo B Lado de la pared

1. Ángulo de la pared (grados) 2. Ángulo de bisel (grados) 3. Ángulo de inglete (grados)



De la pared al ángulo de la moldura corona: 45°



|     | 1    | 2    | 3 |
|-----|------|------|---|
| 60  | 37.8 | 50.8 |   |
| 61  | 37.5 | 50.2 |   |
| 62  | 37.3 | 49.6 |   |
| 63  | 37.1 | 49.1 |   |
| 64  | 36.8 | 48.5 |   |
| 65  | 36.6 | 48.0 |   |
| 66  | 36.4 | 47.4 |   |
| 67  | 36.1 | 46.9 |   |
| 68  | 35.9 | 46.4 |   |
| 69  | 35.6 | 45.8 |   |
| 70  | 35.4 | 45.3 |   |
| 71  | 35.1 | 44.8 |   |
| 72  | 34.9 | 44.2 |   |
| 73  | 34.6 | 43.7 |   |
| 74  | 34.4 | 43.2 |   |
| 75  | 34.1 | 42.7 |   |
| 76  | 33.9 | 42.1 |   |
| 77  | 33.6 | 41.6 |   |
| 78  | 33.3 | 41.1 |   |
| 79  | 33.1 | 40.6 |   |
| 80  | 32.8 | 40.1 |   |
| 81  | 32.5 | 39.6 |   |
| 82  | 32.3 | 39.1 |   |
| 83  | 32.0 | 38.6 |   |
| 84  | 31.7 | 38.1 |   |
| 85  | 31.4 | 37.7 |   |
| 86  | 31.1 | 37.2 |   |
| 87  | 30.9 | 36.7 |   |
| 88  | 30.6 | 36.2 |   |
| 89  | 30.3 | 35.7 |   |
| 90  | 30.0 | 35.3 |   |
| 91  | 29.7 | 34.8 |   |
| 92  | 29.4 | 34.3 |   |
| 93  | 29.1 | 33.9 |   |
| 94  | 28.8 | 33.4 |   |
| 95  | 28.5 | 32.9 |   |
| 96  | 28.2 | 32.5 |   |
| 97  | 27.9 | 32.0 |   |
| 98  | 27.6 | 31.6 |   |
| 99  | 27.3 | 31.1 |   |
| 100 | 27.0 | 30.7 |   |

|     | 1    | 2    | 3 |
|-----|------|------|---|
| 101 | 26.7 | 30.2 |   |
| 102 | 26.4 | 29.8 |   |
| 103 | 26.1 | 29.4 |   |
| 104 | 25.8 | 28.9 |   |
| 105 | 25.5 | 28.5 |   |
| 106 | 25.2 | 28.1 |   |
| 107 | 24.9 | 27.6 |   |
| 108 | 24.6 | 27.2 |   |
| 109 | 24.2 | 26.8 |   |
| 110 | 23.9 | 26.3 |   |
| 111 | 23.6 | 25.9 |   |
| 112 | 23.3 | 25.5 |   |
| 113 | 23.0 | 25.1 |   |
| 114 | 22.7 | 24.7 |   |
| 115 | 22.3 | 24.3 |   |
| 116 | 22.0 | 23.8 |   |
| 117 | 21.7 | 23.4 |   |
| 118 | 21.4 | 23.0 |   |
| 119 | 21.0 | 22.6 |   |
| 120 | 20.7 | 22.2 |   |
| 121 | 20.4 | 21.8 |   |
| 122 | 20.0 | 21.4 |   |
| 123 | 19.7 | 21.0 |   |
| 124 | 19.4 | 20.6 |   |
| 125 | 19.1 | 20.2 |   |
| 126 | 18.7 | 19.8 |   |
| 127 | 18.4 | 19.4 |   |
| 128 | 18.1 | 19.0 |   |
| 129 | 17.7 | 18.6 |   |
| 130 | 17.4 | 18.2 |   |
| 131 | 17.1 | 17.9 |   |
| 132 | 16.7 | 17.5 |   |
| 133 | 16.4 | 17.1 |   |
| 134 | 16.0 | 16.7 |   |
| 135 | 15.7 | 16.3 |   |
| 136 | 15.4 | 15.9 |   |
| 137 | 15.0 | 15.6 |   |
| 138 | 14.7 | 15.2 |   |
| 139 | 14.3 | 14.8 |   |
| 140 | 14.0 | 14.4 |   |

|     | 1    | 2    | 3 |
|-----|------|------|---|
| 141 | 13.7 | 14.1 |   |
| 142 | 13.3 | 13.7 |   |
| 143 | 13.0 | 13.3 |   |
| 144 | 12.6 | 12.9 |   |
| 145 | 12.3 | 12.6 |   |
| 146 | 11.9 | 12.2 |   |
| 147 | 11.6 | 11.8 |   |
| 148 | 11.2 | 11.5 |   |
| 149 | 10.9 | 11.1 |   |
| 150 | 10.5 | 10.7 |   |
| 151 | 10.2 | 10.4 |   |
| 152 | 9.8  | 10.0 |   |
| 153 | 9.5  | 9.6  |   |
| 154 | 9.2  | 9.3  |   |
| 155 | 8.8  | 8.9  |   |
| 156 | 8.5  | 8.5  |   |
| 157 | 8.1  | 8.2  |   |
| 158 | 7.8  | 7.8  |   |
| 159 | 7.4  | 7.5  |   |
| 160 | 7.1  | 7.1  |   |
| 161 | 6.7  | 6.7  |   |
| 162 | 6.4  | 6.4  |   |
| 163 | 6.0  | 6.0  |   |
| 164 | 5.6  | 5.7  |   |
| 165 | 5.3  | 5.3  |   |
| 166 | 4.9  | 5.0  |   |
| 167 | 4.6  | 4.6  |   |
| 168 | 4.2  | 4.3  |   |
| 169 | 3.9  | 3.9  |   |
| 170 | 3.5  | 3.5  |   |
| 171 | 3.2  | 3.2  |   |
| 172 | 2.8  | 2.8  |   |
| 173 | 2.5  | 2.5  |   |
| 174 | 2.1  | 2.1  |   |
| 175 | 1.8  | 1.8  |   |
| 176 | 1.4  | 1.4  |   |
| 177 | 1.1  | 1.1  |   |
| 178 | 0.7  | 0.7  |   |
| 179 | 0.4  | 0.4  |   |
| 180 | 0.0  | 0.0  |   |

A Lado del techo B Lado de la pared

1. Ángulo de la pared (grados) 2. Ángulo de bisel (grados) 3. Ángulo de inglete (grados)

## Corte de extrusión de aluminio

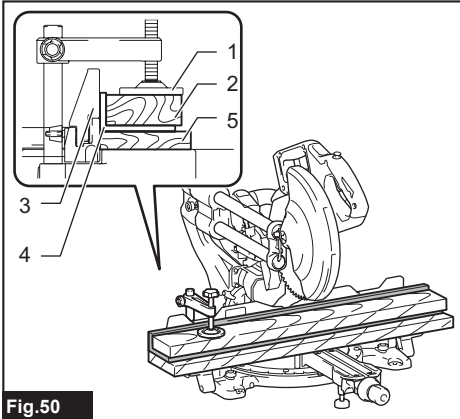


Fig.50

- 1. Prensa 2. Bloque espaciador 3. Guía lateral  
4. Extrusión de aluminio 5. Bloque espaciador

Cuando asegure extrusiones de aluminio, utilice bloques espaciadores o piezas de desecho tal como se muestra en la figura para evitar la deformación del aluminio. Utilice un lubricante de corte cuando corte la extrusión de aluminio para evitar la acumulación de material de aluminio en el disco de la sierra circular.

**⚠ADVERTENCIA:** Nunca intente cortar extrusiones de aluminio gruesas o redondas. Las extrusiones de aluminio gruesas o redondas pueden ser difíciles de asegurar y la pieza de trabajo podría soltarse durante la operación de corte ocasionando la pérdida de control y lesiones personales graves.

## Corte de ranuras

**⚠ADVERTENCIA:** No intente realizar este tipo de corte al usar un tipo de disco más ancho o discos para corte de ranuras. Intentar realizar un corte de ranura con un disco más ancho o con discos para cortes tipo ranura podría ocasionar resultados inesperados en el corte, así como retrocesos bruscos que resulten en lesiones personales graves.

**⚠ADVERTENCIA:** Asegúrese de regresar el brazo de retención a la posición original al realizar un tipo de corte que no sea de ranura. Intentar realizar un corte con el brazo de retención en la posición incorrecta podría ocasionar resultados inesperados en el corte, así como retrocesos bruscos que resulten en lesiones personales graves.

Para realizar un corte de ranuras, haga lo siguiente:

1. Ajuste la posición del límite inferior del disco de la sierra circular con el tornillo de ajuste y el brazo de retención para restringir la profundidad de corte del disco de la sierra circular. Consulte la sección para el brazo de retención.

2. Tras ajustar la posición del límite inferior del disco de la sierra circular, haga dos cortes paralelos a todo lo largo del ancho de la pieza de trabajo usando un corte por deslizamiento (empuje).

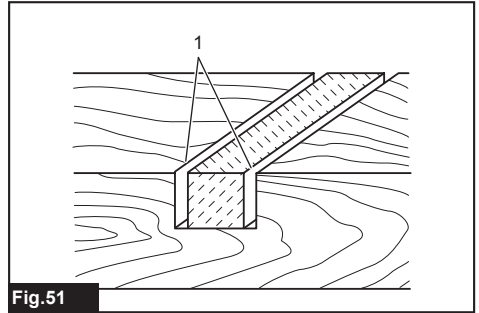


Fig.51

- 1. Corte de ranura con disco

3. Retire el material de la pieza de trabajo que haya quedado en las ranuras con un cincel.

## Transporte de la herramienta

Antes de transportar la herramienta, cerciórese de retirar el cartucho de batería y que todas las piezas móviles de la sierra de inglete estén aseguradas. Verifique siempre lo siguiente:

- Que se haya retirado el cartucho de batería.
- Que el carro esté posicionado en un ángulo de bisel de 0° y asegurado.
- Que el carro se haya bajado y bloqueado.
- Que el carro se haya deslizado por completo hacia las guías laterales y esté bloqueado.
- Que la base giratoria esté posicionada totalmente en el ángulo de inglete derecho y asegurada.
- Que las bases inferiores estén guardadas y aseguradas.

Transporte la herramienta por la empuñadura o sosteniendo ambos lados de la base de la herramienta.

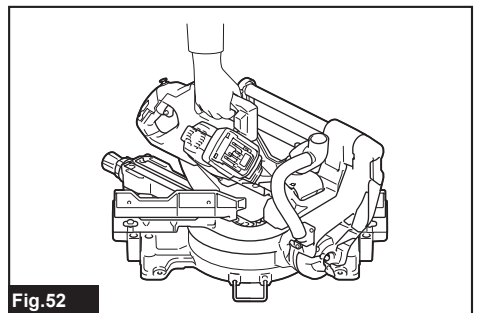


Fig.52

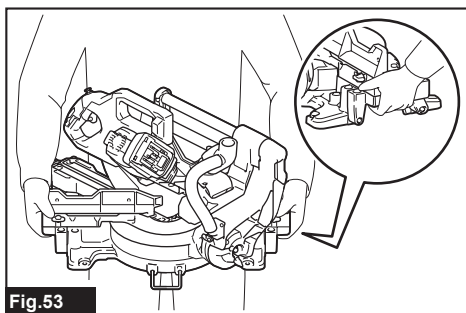


Fig.53

**⚠ADVERTENCIA:** La clavija de retención para la elevación del carro debe usarse únicamente para fines de transporte y almacenamiento y no para ninguna operación de corte. El uso de la clavija de retención para operaciones de corte puede causar un movimiento inesperado del disco de la sierra circular, resultando en retrocesos bruscos y lesiones personales graves.

**⚠PRECAUCIÓN:** Asegúrese siempre de que todas las partes móviles se encuentran fijas antes de transportar la herramienta. Durante el transporte de la herramienta, el desplazamiento o deslizamiento de alguna de sus partes podría provocar la pérdida de control o equilibrio ocasionando lesiones personales.

**⚠PRECAUCIÓN:** Asegúrese de que la elevación del carro quede debidamente bloqueada por su parte inferior mediante la clavija de retención. Si la clavija de retención no se acopla adecuadamente, el carro podría brincar hacia arriba súbitamente y ocasionar una lesión personal.

## FUNCIÓN DE ACTIVACIÓN INALÁMBRICA

### Lo que puede hacer con la función de activación inalámbrica

La función de activación inalámbrica permite una operación limpia y cómoda. Si conecta a la herramienta una aspiradora compatible, podrá hacer que ésta funcione automáticamente al activar el interruptor de la herramienta.

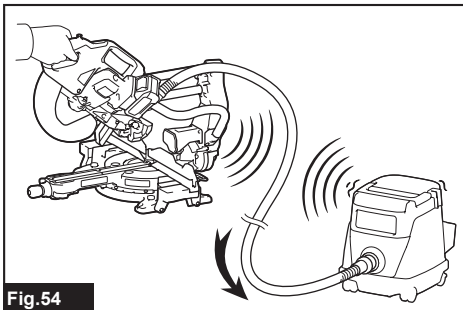


Fig.54

Para hacer uso de la función de activación inalámbrica, tenga preparado lo siguiente:

- Una unidad inalámbrica (accesorios opcionales)
- Una aspiradora compatible con la función de activación inalámbrica

A continuación se presenta la descripción general del ajuste de la función de activación inalámbrica. Consulte cada sección para ver los procedimientos a detalle.

1. Instalación de la unidad inalámbrica
2. Registro de la herramienta para la aspiradora
3. Inicio de la función de activación inalámbrica

### Instalación de la unidad inalámbrica

#### Accesorio opcional

**⚠PRECAUCIÓN:** Coloque la herramienta sobre una superficie plana y estable cuando vaya a instalar la unidad inalámbrica.

**AVISO:** Limpie el polvo y la suciedad en la herramienta antes de instalar la unidad inalámbrica. El polvo o la suciedad podrían causar una avería si llegan a introducirse en la ranura de la unidad inalámbrica.

**AVISO:** Para evitar una avería a causa de la electricidad estática, toque un material de descarga de electricidad estática, tal como una pieza metálica de la herramienta antes de levantar la unidad inalámbrica.

**AVISO:** Cuando vaya a instalar la unidad inalámbrica, asegúrese siempre de que ésta sea insertada en la dirección correcta y que la tapa esté completamente cerrada.

1. Abra la tapa en la herramienta tal como se muestra en la ilustración.

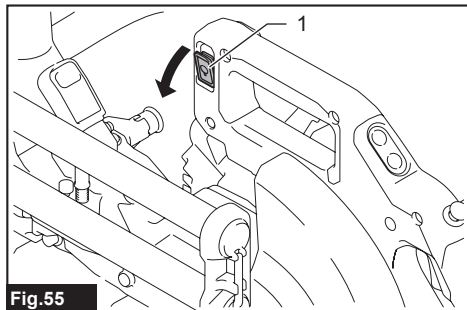


Fig. 55

- 1. Tapa

2. Inserte la unidad inalámbrica en la ranura y luego cierre la tapa.

Cuando inserte la unidad inalámbrica, alinee las partes salientes con las partes cóncavas en la ranura.

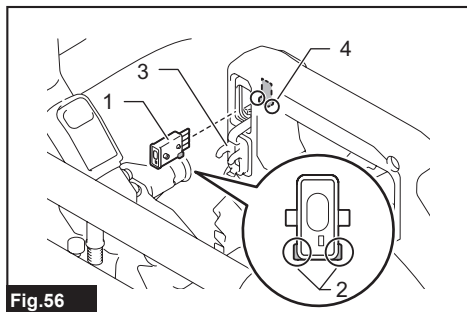


Fig. 56

- 1. Unidad inalámbrica 2. Parte saliente 3. Tapa  
4. Parte cóncava

Cuando extraiga la unidad inalámbrica, abra la tapa lentamente. Los ganchos en la parte posterior de la tapa levantarán la unidad inalámbrica mientras usted jala hacia arriba la tapa.

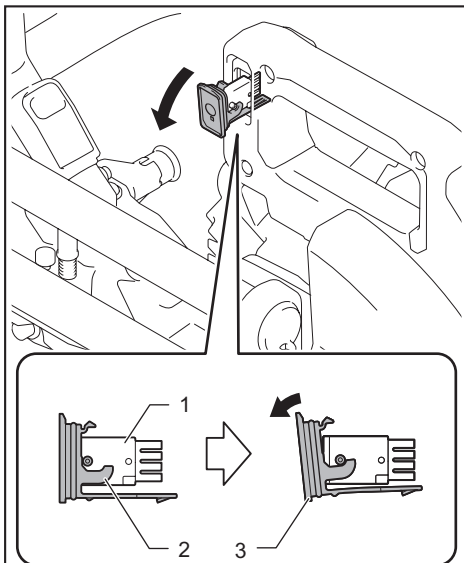


Fig. 57

- 1. Unidad inalámbrica 2. Gancho 3. Tapa

Una vez extraída la unidad inalámbrica, guárdela en el estuche suministrado o en un contenedor libre de electricidad estática.

**AVISO:** Use siempre los ganchos en la parte posterior de la tapa cuando extraiga la unidad inalámbrica. Si los ganchos no sujetan la unidad inalámbrica, cierre la tapa por completo y vuelva a abrirla lentamente.

## Registro de la herramienta para la aspiradora

**NOTA:** Para el registro de la herramienta, se requiere una aspiradora Makita compatible con la función de activación inalámbrica.

**NOTA:** Termine de instalar la unidad inalámbrica en la herramienta antes de comenzar con el registro de la herramienta.

**NOTA:** Evite encender los siguientes interruptores durante el registro de la herramienta:

- el gatillo interruptor de la herramienta
- el interruptor de aspiradora de la herramienta
- el interruptor de alimentación de la aspiradora

**NOTA:** Consulte también el manual de instrucciones de la aspiradora.

Si desea activar la aspiradora junto con el interruptor de la herramienta, termine antes con el registro de la herramienta.

1. Instale las baterías en la aspiradora y en la herramienta.

- Ajuste el interruptor de modo en espera en la aspiradora en "AUTO".

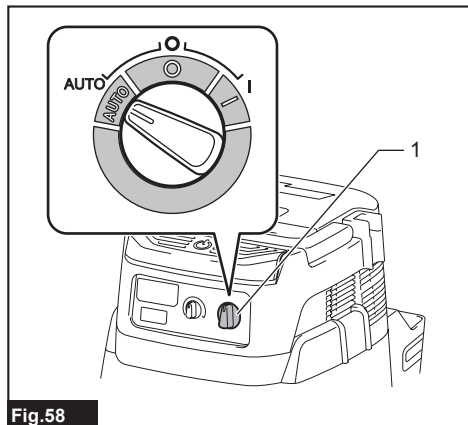


Fig.58

- Interruptor de modo en espera

- Oprima el botón de activación inalámbrica en la aspiradora durante 3 segundos hasta que la luz indicadora de activación inalámbrica parpadee en verde. Y luego oprima el botón de activación inalámbrica en la herramienta de la misma manera.

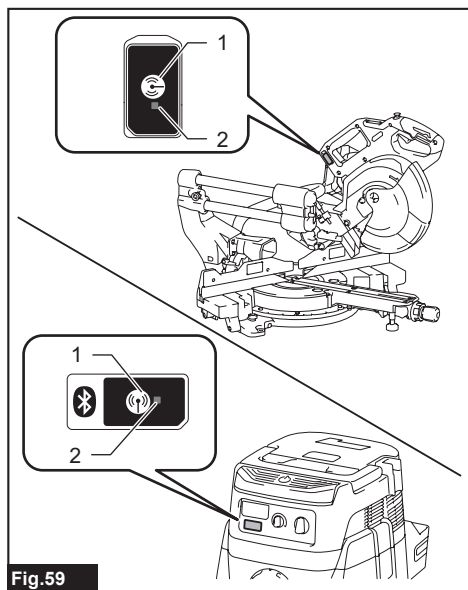


Fig.59

- Botón de activación inalámbrica 2. Luz indicadora de activación inalámbrica

Si la aspiradora y la herramienta han sido conectadas exitosamente, las luces indicadoras de activación inalámbrica se encenderán en verde durante 2 segundos y comenzarán a parpadear en azul.

**NOTA:** Las luces indicadoras de activación inalámbrica terminarán parpadeando en verde después de un lapso de 20 segundos. Oprima el botón de activación inalámbrica en la herramienta mientras la luz indicadora de activación inalámbrica en la aspiradora esté parpadeando. Si la luz indicadora de activación inalámbrica no parpadea en verde, oprima el botón de activación inalámbrica durante un lapso breve y vuelva a mantenerlo oprimido.

**NOTA:** Cuando realice dos o más registros de la herramienta para una aspiradora, termine el registro de la herramienta de uno en uno.

### Inicio de la función de activación inalámbrica

**NOTA:** Termine con el registro de la herramienta para la aspiradora antes de la activación inalámbrica.

**NOTA:** Consulte también el manual de instrucciones de la aspiradora.

Después de registrar una herramienta en la aspiradora, esta última se activará automáticamente junto con el interruptor de la herramienta. Tire del gatillo interruptor de la herramienta para hacer funcionar la aspiradora durante la operación. La aspiradora también empieza a funcionar al oprimir el botón de aspiradora de la herramienta por cualquier operación de cortado.

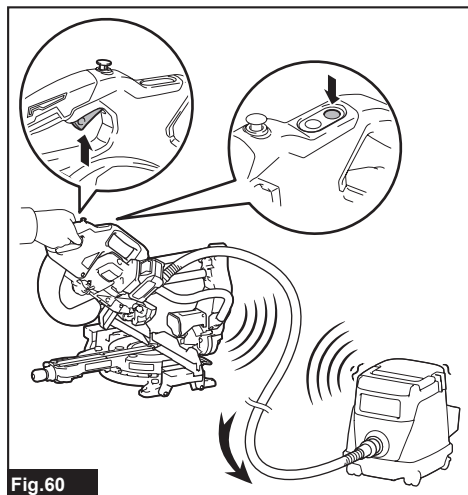


Fig.60

- Instale la unidad inalámbrica en la herramienta.
- Conecte la manguera de la aspiradora a la herramienta.

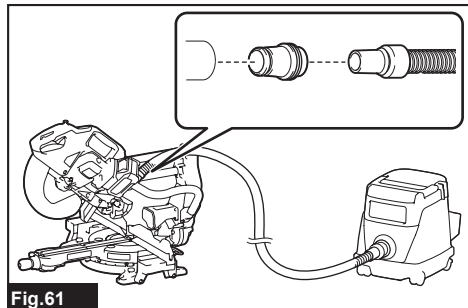
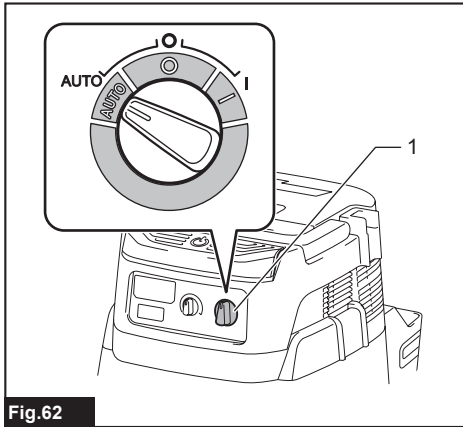


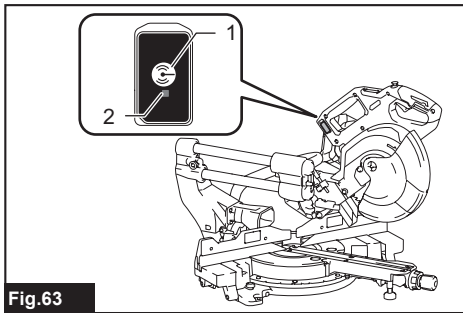
Fig.61

3. Ajuste el interruptor de modo en espera en la aspiradora en "AUTO".



► 1. Interruptor de modo en espera

4. Oprima el botón de activación inalámbrica en la herramienta durante un lapso breve. La luz indicadora de activación inalámbrica parpadeará en azul.



► 1. Botón de activación inalámbrica 2. Luz indicadora de activación inalámbrica

5. Jale el gatillo interruptor de la herramienta. Verifique que la aspiradora funcione mientras jala el gatillo interruptor.
6. Oprima el botón de aspiradora para hacer funcionar la aspiradora. Verifique si la luz indicadora de activación inalámbrica se ilumina en color azul y la aspiradora sigue funcionando hasta que oprime el botón nuevamente.
7. Para detener la operación de la aspiradora, suelte el gatillo interruptor u oprima el botón de aspiradora nuevamente. La aspiradora deja de funcionar unos cuantos segundos después de la operación del interruptor, y luego la lámpara gira para parpadear en color azul.

**NOTA:** El estado del interruptor (encender/apagar la aspiradora) se puede observar en la luz indicadora de activación inalámbrica. Para más detalles, consulte la sección para la descripción del estado de la luz indicadora de activación inalámbrica.

8. Para detener la activación inalámbrica de la aspiradora, oprima el botón de activación inalámbrica en la herramienta.

**NOTA:** La luz indicadora de activación inalámbrica en la herramienta dejará de parpadear en azul cuando no haya operación durante 2 horas. En este caso, ajuste el interruptor de modo en espera en la aspiradora en "AUTO" y oprima el botón de activación inalámbrica en la herramienta nuevamente.

**NOTA:** La aspiradora funcionará/detendrá con un retraso. Existirá un desfase cuando la aspiradora detecte la activación del interruptor de la herramienta.

**NOTA:** La distancia de transmisión de la unidad inalámbrica podrá variar en función del lugar y las circunstancias de los alrededores.

**NOTA:** Cuando dos o más herramientas estén registradas en una aspiradora, esta última podrá comenzar a funcionar incluso si usted no jala el gatillo interruptor o enciende el botón de aspiradora, debido a que otro usuario está utilizando la función de activación inalámbrica.

## Descripción del estado de la luz indicadora de activación inalámbrica

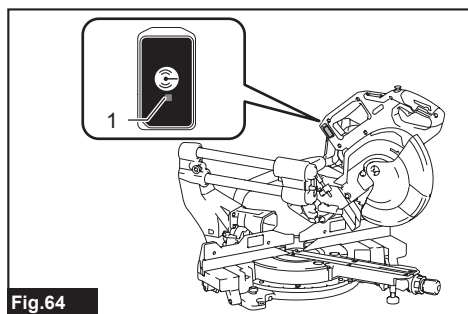


Fig.64

► 1. Luz indicadora de activación inalámbrica

La luz indicadora de activación inalámbrica muestra el estado de la función de activación inalámbrica. Consulte la tabla a continuación para ver qué significa el estado de la luz indicadora.

| Estado                                     | Luz indicadora de activación inalámbrica |                |                  | Descripción                             |   |
|--|--|----------------|------------------|---|---|
|  | Color                                    | ■<br>Encendida | ▣<br>Parpadeando |   | Duración  |
| En espera                                  | Azul                                     |                | ▣                | 2 horas                                 | La activación inalámbrica de la aspiradora está disponible. La luz se apagará automáticamente cuando no se realice ninguna operación durante 2 horas. |
|  |  | ■              |                  | Cuando la herramienta está funcionando. | La activación inalámbrica de la aspiradora está disponible y la herramienta está funcionando.   |
| Registro de la herramienta                 | Verde                                    |                | ▣                | 20 segundos                             | Ya se puede realizar el registro de la herramienta. Esperando el registro por parte de la aspiradora.   |
|  |  | ■              |                  | 2 segundos                              | El registro de la herramienta ha terminado. La luz indicadora de activación inalámbrica comenzará a parpadear en azul.                                |
| Cancelación del registro de la herramienta | Rojo                                     |                | ▣                | 20 segundos                             | Ya se puede cancelar el registro de la herramienta. Esperando la cancelación por parte de la aspiradora.  |
|  |  | ■              |                  | 2 segundos                              | La cancelación del registro de la herramienta ha terminado. La luz indicadora de activación inalámbrica comenzará a parpadear en azul.                |
| Otros                                      | Rojo                                     | ■              |                  | 3 segundos                              | La energía es suministrada a la unidad inalámbrica y la función de activación inalámbrica está arrancando.  |
|  | Apagada                                  | -              |                  | -                                       | La activación inalámbrica de la aspiradora se ha detenido.  |



## Cancelación del registro de la herramienta para la aspiradora

Realice el siguiente procedimiento para cancelar el registro de la herramienta para la aspiradora.

1. Instale las baterías en la aspiradora y en la herramienta.
2. Ajuste el interruptor de modo en espera en la aspiradora en "AUTO".

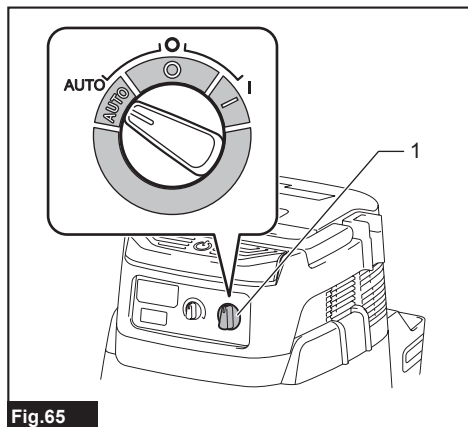


Fig.65

- 1. Interruptor de modo en espera

3. Oprima el botón de activación inalámbrica en la aspiradora durante 6 segundos. La luz indicadora de activación inalámbrica parpadeará en verde y luego se pondrá en rojo. Después de eso, oprima el botón de activación inalámbrica en la herramienta de la misma manera.

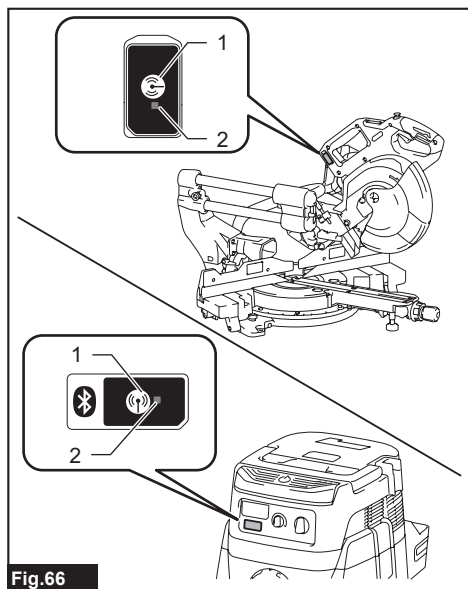


Fig.66

- 1. Botón de activación inalámbrica 2. Luz indicadora de activación inalámbrica

Si la cancelación se realiza exitosamente, las luces indicadoras de activación inalámbrica se encenderán en rojo durante 2 segundos y comenzarán a parpadear en azul.

**NOTA:** Las luces indicadoras de activación inalámbrica terminarán parpadearo en rojo después de un lapso de 20 segundos. Oprima el botón de activación inalámbrica en la herramienta mientras la luz indicadora de activación inalámbrica en la aspiradora esté parpadearo. Si la luz indicadora de activación inalámbrica no parpadea en rojo, oprima el botón de activación inalámbrica durante un lapso breve y vuelva a mantenerlo oprimido.

## DetECCIÓN Y SOLUCIÓN DE PROBLEMAS PARA LA FUNCIÓN DE ACTIVACIÓN INALÁMBRICA

Antes de solicitar alguna reparación, primero realice una inspección por su cuenta. Si detecta algún problema que no esté explicado en el manual, no intente desensamblar la herramienta. En vez de esto, solicite la reparación a un centro de servicio autorizado de Makita, usando siempre piezas de repuesto Makita.

| Estado de la anomalía  | Causa probable (avería)   | Remedio  |
|--|---|--|
| La luz indicadora de activación inalámbrica no enciende/parpadea.  | La unidad inalámbrica no está instalada en la herramienta.<br>La unidad inalámbrica está instalada incorrectamente en la herramienta.   | Instale la unidad inalámbrica correctamente.   |
|  | La terminal de la unidad inalámbrica y/o la ranura está sucia.  | Retire con cuidado el polvo y la suciedad en la terminal de la unidad inalámbrica y limpie la ranura.  |
|  | El botón de activación inalámbrica en la herramienta no se ha oprimido.   | Oprima el botón de activación inalámbrica en la herramienta durante un lapso breve.  |
|  | El interruptor de modo en espera en la aspiradora no está ajustado en "AUTO".   | Ajuste el interruptor de modo en espera en la aspiradora en "AUTO".  |
|  | No hay suministro de energía.   | Suministre energía a la herramienta y a la aspiradora.   |
| No se puede terminar/cancelar el registro de la herramienta exitosamente.                                | La unidad inalámbrica no está instalada en la herramienta.<br>La unidad inalámbrica está instalada incorrectamente en la herramienta.   | Instale la unidad inalámbrica correctamente.   |
|  | La terminal de la unidad inalámbrica y/o la ranura está sucia.  | Retire con cuidado el polvo y la suciedad en la terminal de la unidad inalámbrica y limpie la ranura.  |
|  | El interruptor de modo en espera en la aspiradora no está ajustado en "AUTO".   | Ajuste el interruptor de modo en espera en la aspiradora en "AUTO".  |
|  | No hay suministro de energía.   | Suministre energía a la herramienta y a la aspiradora.   |
|  | Operación incorrecta  | Oprima el botón de activación inalámbrica durante un lapso breve y realice los procedimientos de registro/cancelación de la herramienta nuevamente.            |
|  | La herramienta y la aspiradora están lejos una de la otra (fuera del rango de transmisión).   | Acerque más la herramienta a la aspiradora. La distancia máxima de transmisión es de aproximadamente 10 m, pero puede variar en función de las circunstancias. |
|  | Antes de terminar el registro o cancelación de la herramienta:<br>- que se jale el gatillo interruptor de la herramienta; o<br>- que el botón de aspiradora de la herramienta se encienda; o<br>- que el botón de encendido de la aspiradora se encienda. | Oprima el botón de activación inalámbrica durante un lapso breve y realice los procedimientos de registro/cancelación de la herramienta nuevamente.            |
|  | Los procedimientos de registro para la herramienta o aspiradora no se han terminado.  | Realice los procedimientos de registro tanto para la herramienta como para la aspiradora al mismo tiempo.  |
| La perturbación radioeléctrica generada por otros aparatos que emiten ondas de radio de alta intensidad. | Mantenga la herramienta y la aspiradora lejos de aparatos tales como dispositivos Wi-Fi y hornos de microondas.   |  |

| Estado de la anomalía   | Causa probable (avería)   | Remedio   |
|---|---|---|
| La aspiradora no funciona junto con el interruptor de la herramienta.   | La unidad inalámbrica no está instalada en la herramienta.<br>La unidad inalámbrica está instalada incorrectamente en la herramienta. | Instale la unidad inalámbrica correctamente.  |
|   | La terminal de la unidad inalámbrica y/o la ranura está sucia.  | Retire con cuidado el polvo y la suciedad en la terminal de la unidad inalámbrica y limpie la ranura.   |
|   | El botón de activación inalámbrica en la herramienta no se ha oprimido.   | Oprima el botón de activación inalámbrica durante un lapso breve y asegúrese de que la luz indicadora de activación inalámbrica esté parpadeando en azul.                           |
|   | El interruptor de modo en espera en la aspiradora no está ajustado en "AUTO".   | Ajuste el interruptor de modo en espera en la aspiradora en "AUTO".   |
|   | Más de 10 herramientas están registradas en la aspiradora.  | Vuelva a realizar el registro de la herramienta. Si más de 10 herramientas están registradas en la aspiradora, la herramienta registrada al principio se cancelará automáticamente. |
|   | La aspiradora no ha registrado las herramientas con éxito.  | Renueve los registros de la herramienta.  |
|   | La aspiradora borró todos los registros de la herramienta.  | Vuelva a realizar el registro de la herramienta.  |
|   | No hay suministro de energía.   | Suministre energía a la herramienta y a la aspiradora.  |
|   | La herramienta y la aspiradora están lejos una de la otra (fuera del rango de transmisión).   | Acerque más la herramienta a la aspiradora. La distancia máxima de transmisión es de aproximadamente 10 m, pero puede variar en función de las circunstancias.                      |
|   | La perturbación radioeléctrica generada por otros aparatos que emiten ondas de radio de alta intensidad.                              | Mantenga la herramienta y la aspiradora lejos de aparatos tales como dispositivos Wi-Fi y hornos de microondas.   |
| La aspiradora está funcionando mientras ninguno de los interruptores de la herramienta están en funcionamiento. | Otros usuarios están usando la activación inalámbrica de la aspiradora con sus herramientas.  | Apague el botón de activación inalámbrica de las demás herramientas o cancele el registro de dichas herramientas.   |

## MANTENIMIENTO

**⚠ADVERTENCIA:** Asegúrese siempre de que la herramienta esté apagada y el cartucho de batería extraído antes de intentar realizar una inspección o mantenimiento. El no retirar el cartucho de batería y apagar la herramienta podría ocasionar un arranque accidental de la herramienta y provocar lesiones personales graves.

**⚠ADVERTENCIA:** Asegúrese de que el disco de la sierra circular esté afilado y limpio para una operación óptima y segura. Intentar realizar cortes con un disco no afilado y/o sucio puede causar retrocesos bruscos y resultar en lesiones personales graves.

**AVISO:** Nunca use gasolina, bencina, diluyente (tíner), alcohol o sustancias similares. Puede que esto ocasione grietas o descoloramiento.

Para mantener la SEGURIDAD y FIABILIDAD del producto, las reparaciones, y cualquier otra tarea de mantenimiento o ajuste deberán ser realizadas en centros de servicio autorizados o de fábrica Makita, empleando siempre repuestos Makita.

## Ajuste del ángulo de corte

Esta herramienta ya viene cuidadosamente ajustada y alineada de fábrica, pero una manipulación descuidada podría afectar la alineación. Si su herramienta no está adecuadamente alineada, haga lo siguiente:

### Ángulo de inglete

Gire la perilla en sentido inverso al de las manecillas del reloj y tenga la base lista para la función de tope de seguridad mediante la palanca de liberación. Posteriormente, afloje los tornillos que fijan el marcador y la escala del ángulo de inglete.

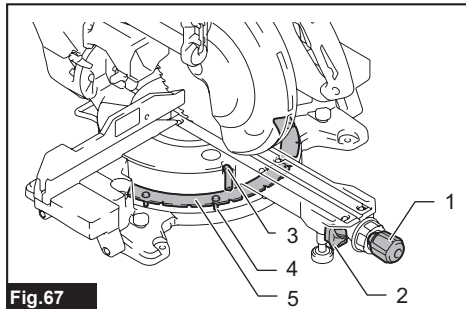
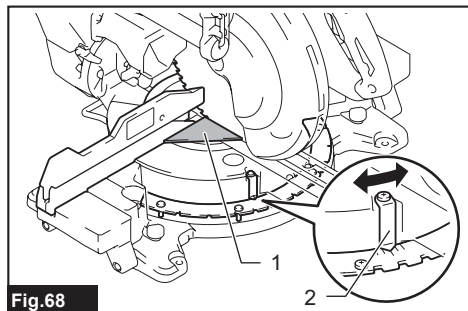


Fig.67

► 1. Perilla 2. Palanca de liberación 3. Tornillo en el marcador 4. Tornillos en la escala del ángulo de inglete 5. Escala del ángulo de inglete

Ajuste la base giratoria en la posición de 0° usando la función de tope de seguridad. Cuadre el lado del disco de la sierra circular con la cara de la guía lateral usando una regla triangular o escuadra. Mientras los mantiene cuadrados, apriete los tornillos en la escala del ángulo de inglete. Después de esto, alinee los marcadores con la posición de 0° en la escala del ángulo de inglete y luego apriete el tornillo del marcador.



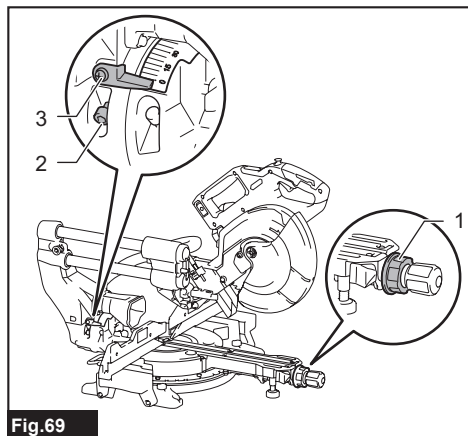
**Fig. 68**

► 1. Regla triangular 2. Marcador

## Ángulo de bisel

### Ángulo de bisel de 0°

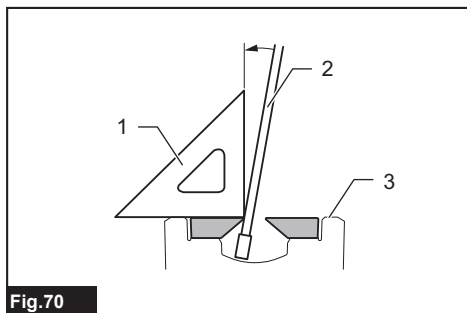
Empuje el carro hacia las guías laterales y bloquee el movimiento de deslizamiento con la clavija de retención. Baje el carro por completo y bloquéelo en la posición hacia abajo con la clavija de retención. Gire el selector de perilla en sentido inverso al de las manecillas del reloj y luego gire el perno de ajuste de 0° a dos o tres giros en sentido inverso al de las manecillas del reloj para inclinar el disco de la sierra circular hacia la derecha.



**Fig. 69**

► 1. Selector de perilla 2. Perno de ajuste a 0°  
3. Tornillo del marcador

Cuadre cuidadosamente el lado del disco de la sierra circular con la parte superior de la base giratoria usando una regla triangular, escuadra, etc., y girando el perno de ajuste a 0° en el sentido de las manecillas del reloj. Luego apriete el selector de perilla firmemente para asegurar el ángulo de 0° previamente ajustado.



**Fig. 70**

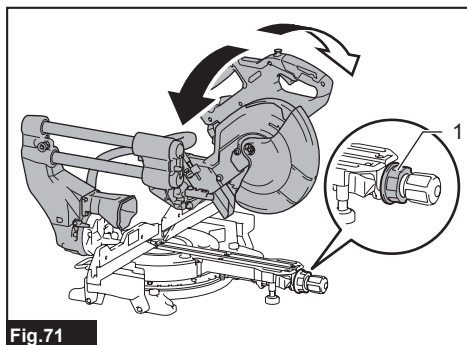
► 1. Regla triangular 2. Disco de la sierra 3. Parte superior de la base giratoria

Verifique nuevamente que el lado del disco de la sierra circular cuadre con la parte superior de la base giratoria. Afloje el tornillo del marcador y alinee nuevamente el marcador con la posición de 0° en la escala del ángulo de bisel, y luego apriete el tornillo.

### Ángulo de bisel de 45°

**AVISO:** Antes de ajustar el ángulo de bisel de 45°, termine de ajustar el ángulo de bisel de 0°.

Afloje el selector de perilla e incline el carro completamente hacia el lado que desee verificar. Compruebe que el marcador indique la posición de 45° en la escala del ángulo de bisel.



**Fig. 71**

► 1. Selector de perilla

Si el marcador no indica la posición de 45°, alinéelo con la posición de 45° girando el perno de ajuste de 45°.

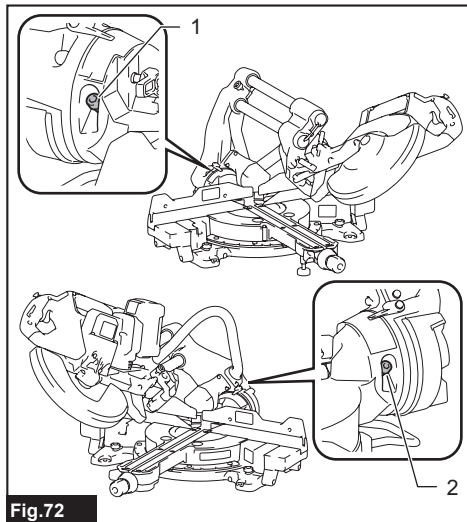


Fig.72

► 1. Perno de ajuste a 45° a la derecha 2. Perno de ajuste a 45° a la izquierda

## Limpeza del lente de la lámpara

**AVISO:** No retire el tornillo que fija el lente. Si el lente no sale, afloje el tornillo todavía más.

**AVISO:** Utilice un paño seco para quitar la suciedad de la lente de la lámpara. Tenga cuidado de no rayar la lente de la lámpara ya que la iluminación podría disminuir.

**AVISO:** No utilice disolventes ni limpiadores a base de petróleo en el lente.

La luz LED es difícil de visualizar si el lente para la luz se llega a ensuciar. Limpie el lente en intervalos regulares.

Retire el cartucho de batería. Afloje el tornillo y saque el lente. Limpie el lente con cuidado usando un paño suave húmedo.

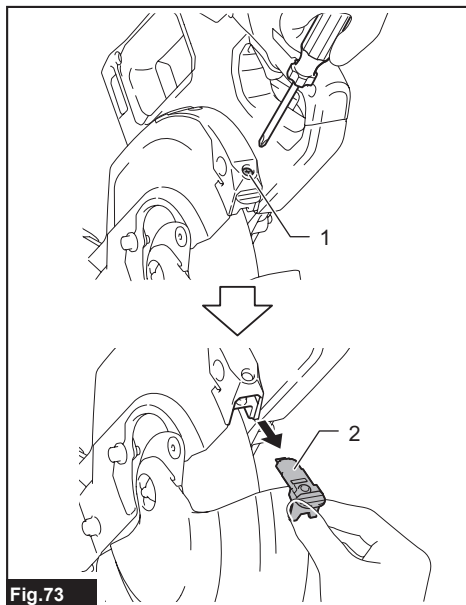


Fig.73

► 1. Tornillo 2. Lente

## Luego del uso

Luego de utilizar la herramienta, limpie los restos de astillas y polvo con un paño o similar. Mantenga el protector del disco limpio de acuerdo con las instrucciones proporcionadas en la sección mencionada anteriormente para el protector del disco. Lubrique las partes deslizantes con aceite para máquinas a fin de evitar que se oxiden.

## ACCESORIOS OPCIONALES

**⚠ADVERTENCIA:** Estos accesorios o aditamentos Makita están recomendados para utilizarse con su herramienta Makita que se especifica en este manual. El uso de cualquier otro accesorio o aditamento puede ocasionar lesiones personales graves.

**⚠ADVERTENCIA:** Use los accesorios o aditamentos Makita solamente para su propósito designado. El uso inapropiado de un accesorio o aditamento puede causar lesiones personales graves.

Si necesita cualquier ayuda para más detalles en relación con estos accesorios, pregunte a su centro de servicio local Makita.

- Discos de sierra con puntas de carburo
- Prensa vertical
- Prensa horizontal
- Bolsa recolectora de polvo
- Regla triangular
- Llave hexagonal
- Unidad inalámbrica
- Juegos de pedestales
- Batería y cargador originales de Makita

**NOTA:** Algunos de los artículos en la lista pueden incluirse en el paquete de la herramienta como accesorios estándar. Éstos pueden variar de país a país.

## **GARANTÍA LIMITADA DE MAKITA**

### **Ésta Garantía no aplica para México**

Consulte la hoja de la garantía anexa para ver los términos más vigentes de la garantía aplicable a este producto. En caso de no disponer de esta hoja de garantía anexa, consulte los detalles sobre la garantía descritos en el sitio web de su país respectivo indicado a continuación.

Estados Unidos de América: [www.makitatools.com](http://www.makitatools.com)

Canadá: [www.makita.ca](http://www.makita.ca)

Otros países: [www.makita.com](http://www.makita.com)



< USA only >

# WARNING

Some dust created by power sanding, sawing, grinding, drilling, and other construction activities contains chemicals known to the State of California to cause cancer, birth defects or other reproductive harm. Some examples of these chemicals are:

- lead from lead-based paints,
- crystalline silica from bricks and cement and other masonry products, and
- arsenic and chromium from chemically-treated lumber.

Your risk from these exposures varies, depending on how often you do this type of work. To reduce your exposure to these chemicals: work in a well ventilated area, and work with approved safety equipment, such as those dust masks that are specially designed to filter out microscopic particles.

< Sólo en los Estados Unidos >

# ADVERTENCIA

Algunos polvos creados por el lijado, aserrado, esmerilado, taladrado y otras actividades de la construcción contienen sustancias químicas reconocidas por el Estado de California como causantes de cáncer, defectos de nacimiento y otros peligros de reproducción. Algunos ejemplos de estos productos químicos son:

- plomo de pinturas a base de plomo,
- sílice cristalino de ladrillos y cemento y otros productos de albañilería, y
- arsénico y cromo de maderas tratadas químicamente.

El riesgo al que se expone varía, dependiendo de la frecuencia con la que realice este tipo de trabajo. Para reducir la exposición a estos productos químicos: trabaje en un área bien ventilada y póngase el equipo de seguridad indicado, tal como las máscaras contra polvo que están especialmente diseñadas para filtrar partículas microscópicas.

**Makita Corporation**

3-11-8, Sumiyoshi-cho,  
Anjo, Aichi 446-8502 Japan

[www.makita.com](http://www.makita.com)

885836A931  
LS002G-1  
EN, FRCA, ESMX  
20210817